



Chipsmall Limited consists of a professional team with an average of over 10 year of expertise in the distribution of electronic components. Based in Hongkong, we have already established firm and mutual-benefit business relationships with customers from,Europe,America and south Asia,supplying obsolete and hard-to-find components to meet their specific needs.

With the principle of "Quality Parts,Customers Priority,Honest Operation,and Considerate Service",our business mainly focus on the distribution of electronic components. Line cards we deal with include Microchip,ALPS,ROHM,Xilinx,Pulse,ON,Everlight and Freescale. Main products comprise IC,Modules,Potentiometer,IC Socket,Relay,Connector.Our parts cover such applications as commercial,industrial, and automotives areas.

We are looking forward to setting up business relationship with you and hope to provide you with the best service and solution. Let us make a better world for our industry!



Contact us

Tel: +86-755-8981 8866 Fax: +86-755-8427 6832

Email & Skype: info@chipsmall.com Web: www.chipsmall.com

Address: A1208, Overseas Decoration Building, #122 Zhenhua RD., Futian, Shenzhen, China



NOTES:

1. MATERIALS:

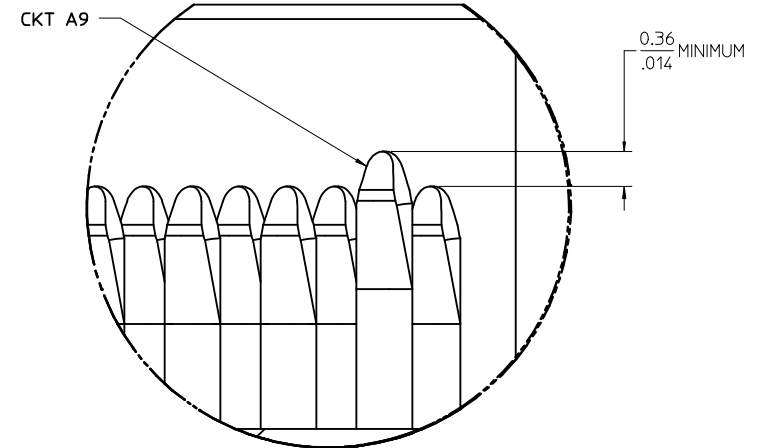
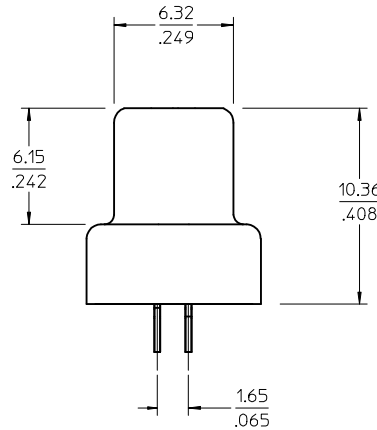
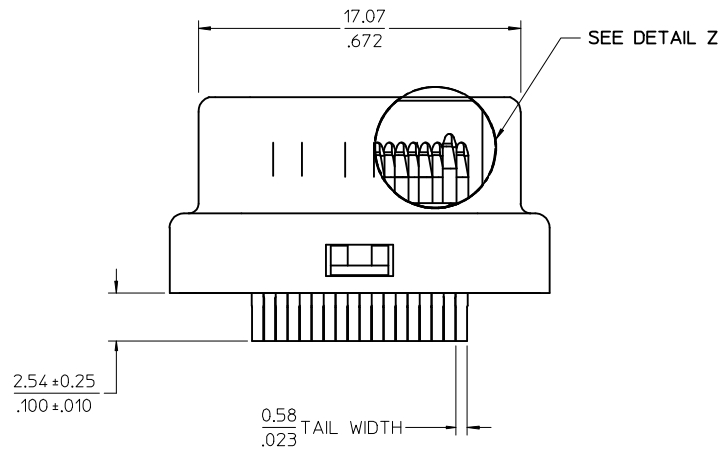
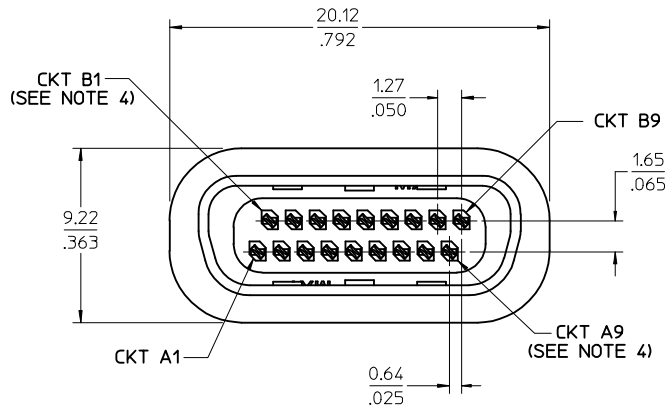
SHIELD: DEEP DRAWN STEEL.
 HOUSING: GLASS FILLED POLYMER, COLOR: BLACK, UL 94V-0.
 STICK: COPPER ALLOY, OVERMOLDED WITH GLASS FILLED POLYMER, COLOR: BLACK, UL 94V-0.

2. PLATING:

SHIELD: 2.54 MICROMETERS/100 MICROINCHES MINIMUM BRIGHT TIN (Sn) OVER 1.27 MICROMETERS/50 MICROINCHES MINIMUM NICKEL (Ni) OVER COPPER (Cu) UNDERPLATE OVERALL.
 TERMINALS: SELECTIVE GOLD (Au) IN CONTACT AREA, THICKNESS 0.38 MICROMETERS/15 MICROINCHES MINIMUM; SELECTIVE TIN (Sn) IN TAIL AREA, THICKNESS 2.54 MICROMETERS/100 MICROINCHES MINIMUM OVER NICKEL (Ni) UNDERPLATE OVERALL.

3. PLUG ASSEMBLIES ARE PACKAGED IN TUBES. SEE PACKAGING SPECIFICATION PK-75000-991.

4. CIRCUITS A9 AND B1 ARE FIRST MATE LAST BREAK.



DETAIL Z
SCALE 20:1

INITIAL RELEASE EC NO: UCP2009-3097 DRWN: JANTELEZ10 2009/06/23 CHKD: 2009/08/14 APPR: MBANAKIS 2009/08/14	QUALITY SYMBOLS ▽=0 ▽=0	GENERAL TOLERANCES (UNLESS SPECIFIED)		DIMENSION STYLE	SCALE	DESIGN UNITS	THIRD ANGLE PROJECTION	
		mm	INCH	MM/IN	5:1	INCH		
		4 PLACES ± ---	± ---	DRAWN BY	DATE	TITLE		
		3 PLACES ± ---	± .010	DMORGAN	2005/12/16	SALES DRAWING - TDP TRAD DIFFERENTIAL PAIR 18 CIRCUIT PLUG		
2 PLACES ± 0.25	± ---	CHECKED BY	DATE	MOLEX INCORPORATED				
1 PLACE ± ---	± ---	BBARKER	2005/12/16					
ANGULAR ± 1/2°		APPROVED BY	DATE	MATERIAL NO.	DOCUMENT NO.	SHEET NO.		
DRAFT WHERE APPLICABLE MUST REMAIN WITHIN DIMENSIONS		SMILLER	2005/12/16	75000-1018	SD-75000-000	1 OF 1		
THIS DRAWING CONTAINS INFORMATION THAT IS PROPRIETARY TO MOLEX INCORPORATED AND SHOULD NOT BE USED WITHOUT WRITTEN PERMISSION								