



Chipsmall Limited consists of a professional team with an average of over 10 year of expertise in the distribution of electronic components. Based in Hongkong, we have already established firm and mutual-benefit business relationships with customers from,Europe,America and south Asia,supplying obsolete and hard-to-find components to meet their specific needs.

With the principle of “Quality Parts,Customers Priority,Honest Operation,and Considerate Service”,our business mainly focus on the distribution of electronic components. Line cards we deal with include Microchip,ALPS,ROHM,Xilinx,Pulse,ON,Everlight and Freescale. Main products comprise IC,Modules,Potentiometer,IC Socket,Relay,Connector.Our parts cover such applications as commercial,industrial, and automotives areas.

We are looking forward to setting up business relationship with you and hope to provide you with the best service and solution. Let us make a better world for our industry!



Contact us

Tel: +86-755-8981 8866 Fax: +86-755-8427 6832

Email & Skype: info@chipsmall.com Web: www.chipsmall.com

Address: A1208, Overseas Decoration Building, #122 Zhenhua RD., Futian, Shenzhen, China



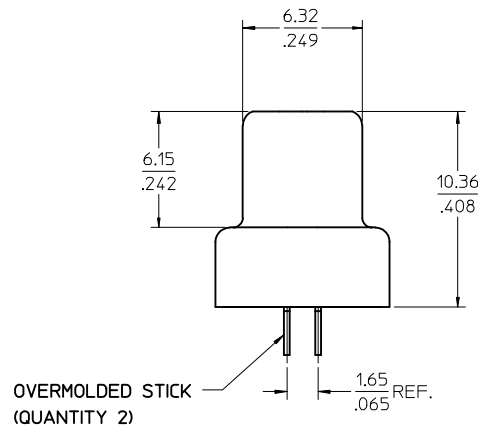
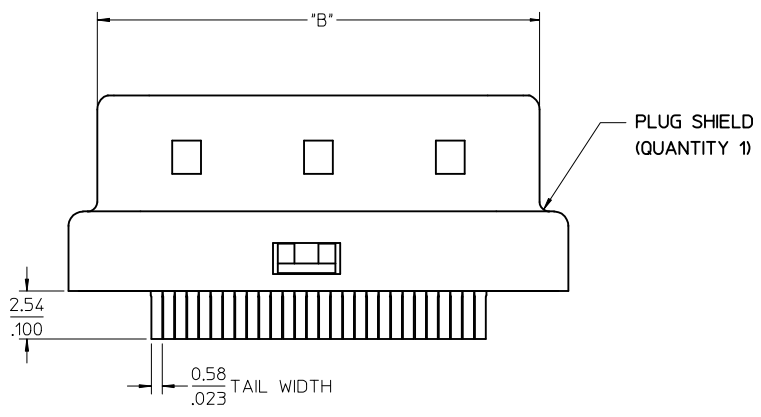
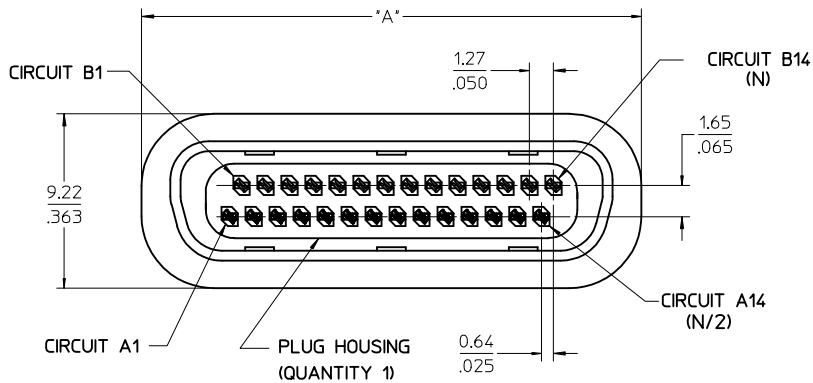
NOTES:

1. MATERIALS:

- SHIELD: DEEP DRAWN STEEL.
- HOUSING: GLASS FILLED POLYMER, COLOR: BLACK, UL 94V-0.
- CONTACTS: COPPER ALLOY, OVERMOLDED WITH GLASS FILLED POLYMER, COLOR: BLACK, UL 94V-0.2. PLATING:
- SHIELD: 2.54 μ METERS/100 μ NCHES MINIMUM BRIGHT TIN (Sn) OVER 1.27 μ METERS/50 μ NCHES MINIMUM NICKEL (Ni) OVER COPPER (Cu) UNDERPLATE OVERALL.
- TERMINALS: SELECTIVE GOLD (Au) IN CONTACT AREA, THICKNESS 0.38 μ METERS/15 μ NCHES MINIMUM, SELECTIVE TIN (Sn) IN TAIL AREA, THICKNESS 2.54 μ METERS/100 μ NCHES MINIMUM OVER NICKEL (Ni) UNDERPLATE OVERALL.

3. PACKAGING:

PLUG ASSEMBLIES TO BE PACKAGED IN TUBES PER PK-75000-991.



75000-1028	28	26.47 1.042	23.42 .922
75000-1048	48	39.17 1.542	36.12 1.422
MAT'L NUMBER	CIRCUIT SIZE	*A* DIM.	*B* DIM.

REMOVED SHEET 2	QUALITY SYMBOLS
EC NO: UCP2009-3097	▽=0
DRWN: JANTELEZ10 2009/06/23	▽=0
CHKD: 2009/08/14	
APPR: MBANAKIS 2009/08/14	
DESCRIPTION	
REV	

GENERAL TOLERANCES (UNLESS SPECIFIED)
4 PLACES ± --- ± ---
3 PLACES ± --- ± .010
2 PLACES ± 0.25 ± ---
1 PLACE ± --- ± ---
ANGULAR ± 1/2°
DRAFT WHERE APPLICABLE MUST REMAIN WITHIN DIMENSIONS

DIMENSION STYLE		SCALE	DESIGN UNITS	THIRD ANGLE PROJECTION
MM/IN		5:1	INCH	
DRAWN BY	DATE	TITLE		
TMCCLELL	02/02/11	SALES DRAWING - TDP TRIAD DIFFERENTIAL PAIR PLUG CONNECTOR		
CHECKED BY	DATE	MOLEX MOLEX INCORPORATED		
SCHMIDGA	02/09/13	SD-75000-001		
APPROVED BY	DATE	SHEET NO.		
BANAKIS	02/09/13	1 OF 1		
MATERIAL NO.	SEE CHART	THIS DRAWING CONTAINS INFORMATION THAT IS PROPRIETARY TO MOLEX INCORPORATED AND SHOULD NOT BE USED WITHOUT WRITTEN PERMISSION		
SIZE				