



Chipsmall Limited consists of a professional team with an average of over 10 year of expertise in the distribution of electronic components. Based in Hongkong, we have already established firm and mutual-benefit business relationships with customers from,Europe,America and south Asia,supplying obsolete and hard-to-find components to meet their specific needs.

With the principle of “Quality Parts,Customers Priority,Honest Operation,and Considerate Service”,our business mainly focus on the distribution of electronic components. Line cards we deal with include Microchip,ALPS,ROHM,Xilinx,Pulse,ON,Everlight and Freescale. Main products comprise IC,Modules,Potentiometer,IC Socket,Relay,Connector.Our parts cover such applications as commercial,industrial, and automotives areas.

We are looking forward to setting up business relationship with you and hope to provide you with the best service and solution. Let us make a better world for our industry!



## Contact us

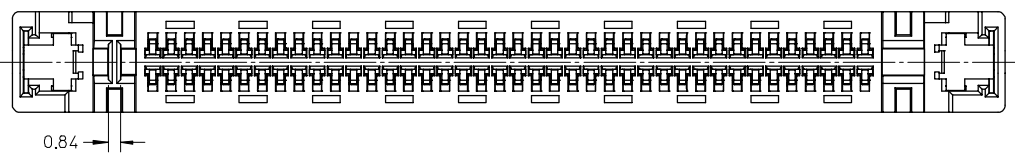
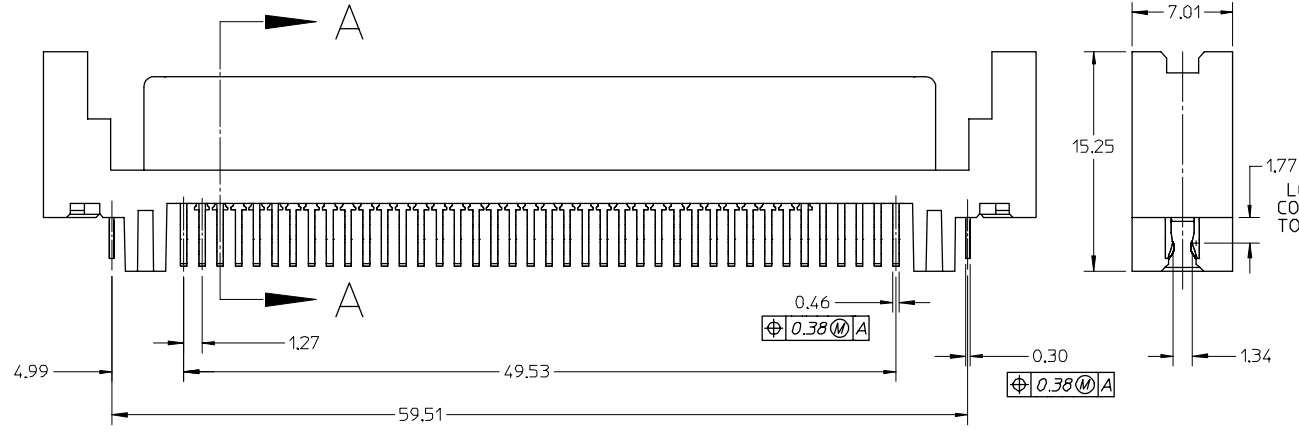
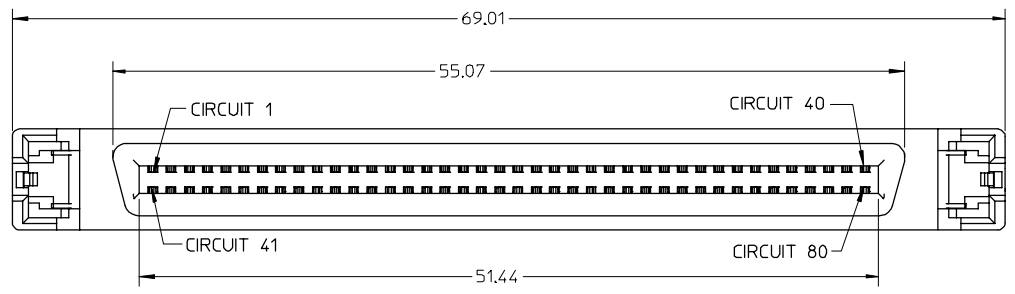
Tel: +86-755-8981 8866 Fax: +86-755-8427 6832

Email & Skype: info@chipsmall.com Web: www.chipsmall.com

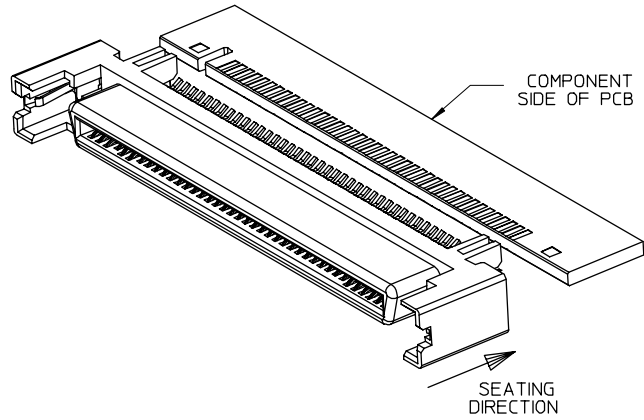
Address: A1208, Overseas Decoration Building, #122 Zhenhua RD., Futian, Shenzhen, China



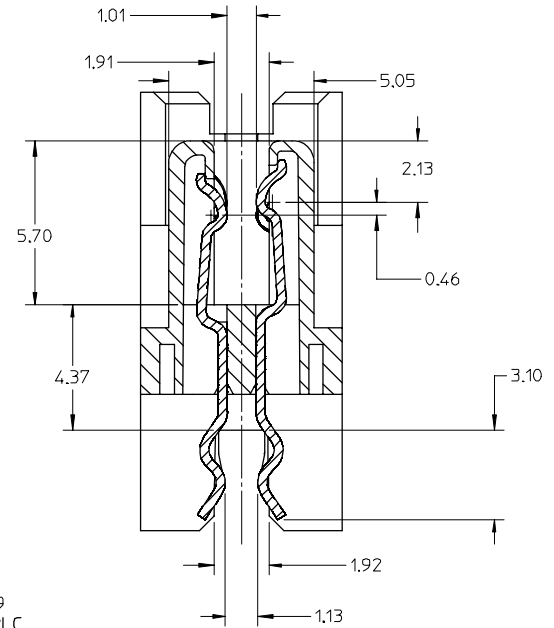
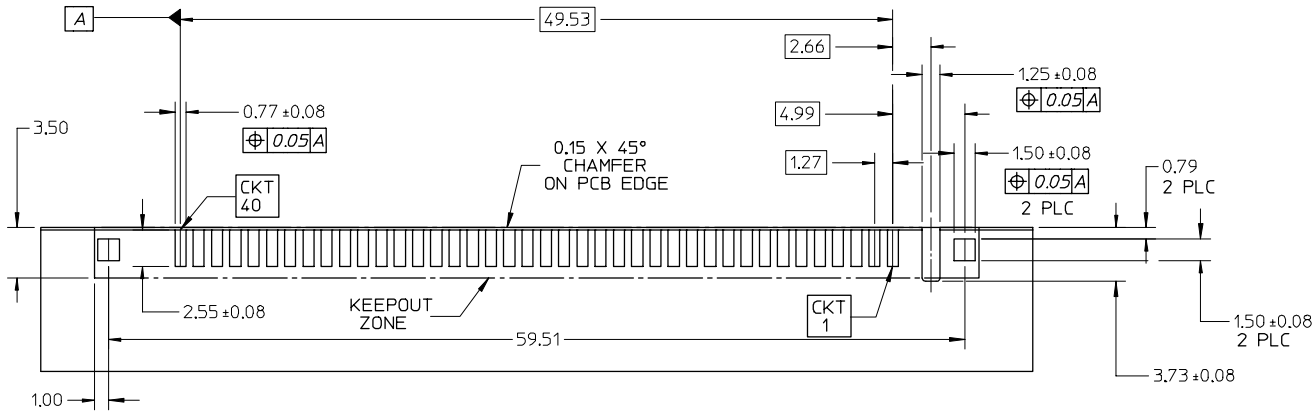
- NOTES:
- 1) MATERIAL:  
HOUSING - HIGH TEMPERATURE NYLON, UL94, V-0, BLACK  
TERMINALS - COPPER ALLOY  
ESD METAL TERMINAL - COPPER ALLOY
  - 2) PLATING:  
TERMINALS:  
0.76 MICRON MIN. SELECT GOLD AND  
2.54 MICRON MIN. SELECT TIN/LEAD OVER  
1.27 MICRON MIN. NICKEL OVERALL  
  
ESD TERMINALS:  
3.81 MICRON MIN. TIN/LEAD OVER  
1.27 MICRON MIN. NICKEL OVERALL
  - 3) CONFORMS TO PRODUCT SPECIFICATION PS-73826-0000.
  - 4) CIRCUIT NUMBERS 1, 36 THRU 43, 45, 46, AND 75 THRU 80, ARE ADVANCED TERMINALS FOR SEQUENTIAL MATING.
  - 5) CONNECTOR WILL ACCEPT MATING TO A P.C. BOARD WITH A THICKNESS OF  $1.57 \pm 0.08$ mm.
  - 6) PACKAGE IN TRAYS PER PK-70873-5025.
  - 7) ALL DIMENSION'S SYMETRICAL ABOUT CENTERLINE.



EC NO: UCP2003-0386 DRWN:KSTILES 2003/01/21 CHKD: 2003/01/23 APPR:MBANAKIS 2003/01/29	QUALITY SYMBOLS ▽ = 0 ▽ = 0	GENERAL TOLERANCES (UNLESS SPECIFIED)		SCALE 3:1	DESIGN UNITS METRIC	THIRD ANGLE PROJECTION	REVISE ON CAD ONLY
		4 PLACES ± --- ± --- 3 PLACES ± --- ± --- 2 PLACES ± 0.13 ± --- 1 PLACE ± 0.25 ± ---	DIMENSION STYLE MM ONLY	TITLE 80 CKT STRADDLEMOUNT SCA2 SALES DRAWING			
		ANGULAR ± 1/2° DRAFT WHERE APPLICABLE MUST REMAIN WITHIN DIMENSIONS	DRAWN BY DATE KSTILES 01/14/2002 CHECKED BY DATE MBANAKIS 01/16/2002 APPROVED BY DATE MBANAKIS 01/18/2002	MATERIAL NO. 750830080	DOCUMENT NO. SD-75083-001		
		SHEET NO. 1 OF 2		THIS DRAWING CONTAINS INFORMATION THAT IS PROPRIETARY TO MOLEX INCORPORATED AND SHOULD NOT BE USED WITHOUT WRITTEN PERMISSION			



RECOMMENDED PCB LAYOUT (COMPONENT SIDE SHOWN)  
RECOMMENDED PCB THICKNESS: 1.57mm



EC NO: UCP2003-0386 DRWN: KSTILES 2003/01/21 CHKD: 2003/01/23 APPR: MBANAKIS 2003/01/29	QUALITY SYMBOLS ▽ = 0 ▽ = 0	GENERAL TOLERANCES (UNLESS SPECIFIED)		SCALE 3:1	DESIGN UNITS METRIC	THIRD ANGLE PROJECTION	REVISE ON CAD ONLY
		4 PLACES ± --- ± --- 3 PLACES ± --- ± --- 2 PLACES ± 0.13 ± --- 1 PLACE ± 0.25 ± ---	mm INCH	DIMENSION STYLE MM ONLY	TITLE 80 CKT STRADDLEMOUNT SCA2 SALES DRAWING		
REV DESCRIPTION	DRAFT WHERE APPLICABLE MUST REMAIN WITHIN DIMENSIONS		ANGULAR ± 1/2°	DRAWN BY KSTILES	DATE 01/14/2002	MOLEX INCORPORATED	
	APPROVED BY MBANAKIS		DATE 01/16/2002	MATERIAL NO. 750830080	DOCUMENT NO. SD-75083-001	SHEET NO. 2 OF 2	THIS DRAWING CONTAINS INFORMATION THAT IS PROPRIETARY TO MOLEX INCORPORATED AND SHOULD NOT BE USED WITHOUT WRITTEN PERMISSION