



Chipsmall Limited consists of a professional team with an average of over 10 year of expertise in the distribution of electronic components. Based in Hongkong, we have already established firm and mutual-benefit business relationships with customers from,Europe,America and south Asia,supplying obsolete and hard-to-find components to meet their specific needs.

With the principle of "Quality Parts,Customers Priority,Honest Operation,and Considerate Service",our business mainly focus on the distribution of electronic components. Line cards we deal with include Microchip,ALPS,ROHM,Xilinx,Pulse,ON,Everlight and Freescale. Main products comprise IC,Modules,Potentiometer,IC Socket,Relay,Connector.Our parts cover such applications as commercial,industrial, and automotives areas.

We are looking forward to setting up business relationship with you and hope to provide you with the best service and solution. Let us make a better world for our industry!



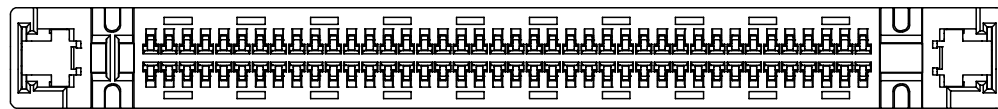
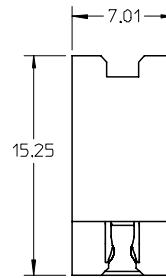
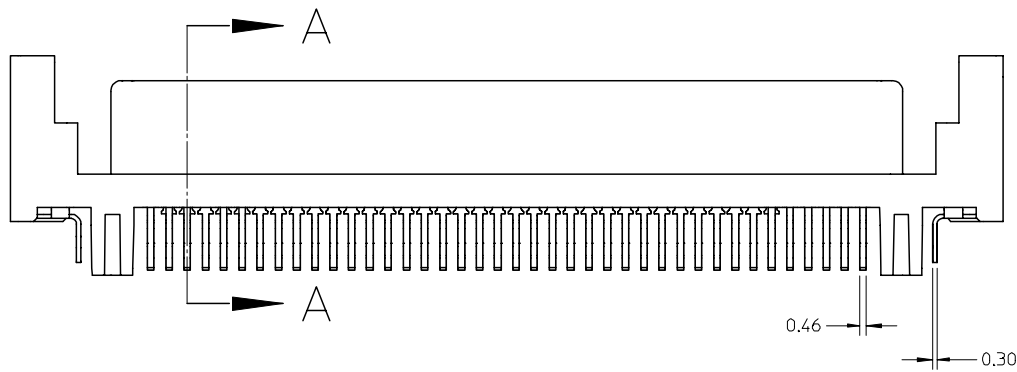
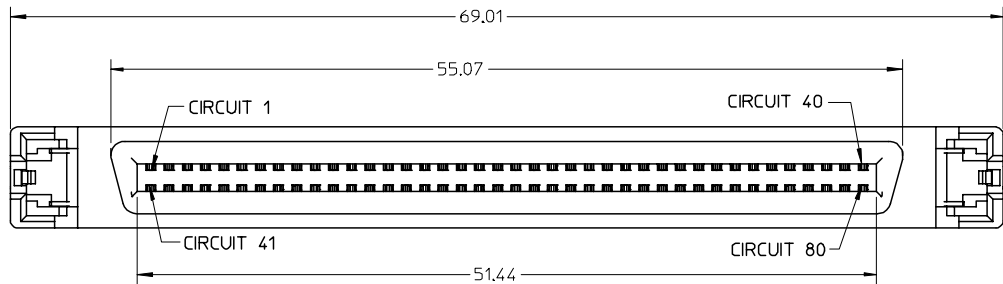
## Contact us

Tel: +86-755-8981 8866 Fax: +86-755-8427 6832

Email & Skype: info@chipsmall.com Web: www.chipsmall.com

Address: A1208, Overseas Decoration Building, #122 Zhenhua RD., Futian, Shenzhen, China



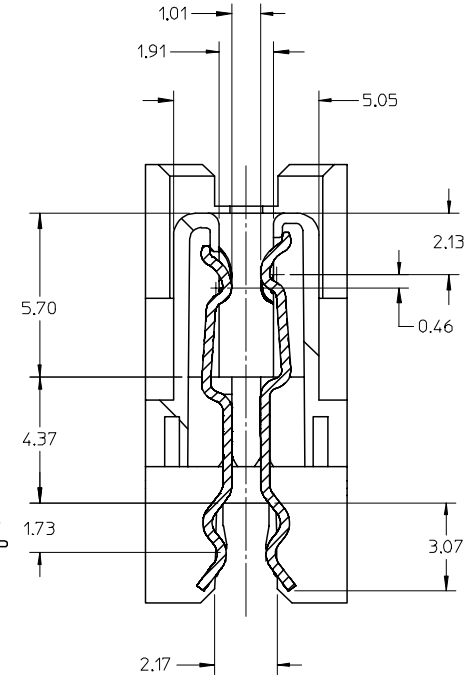
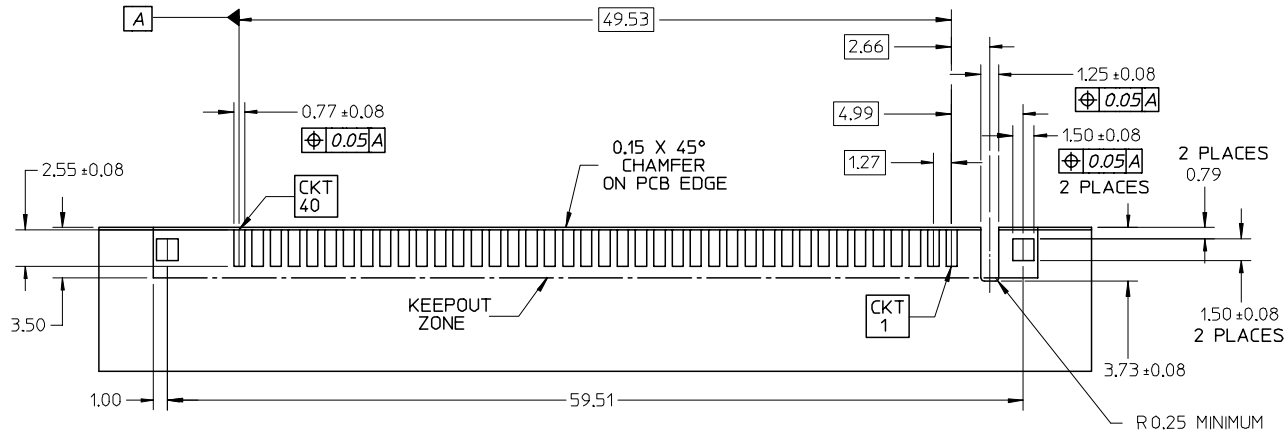


NOTES:

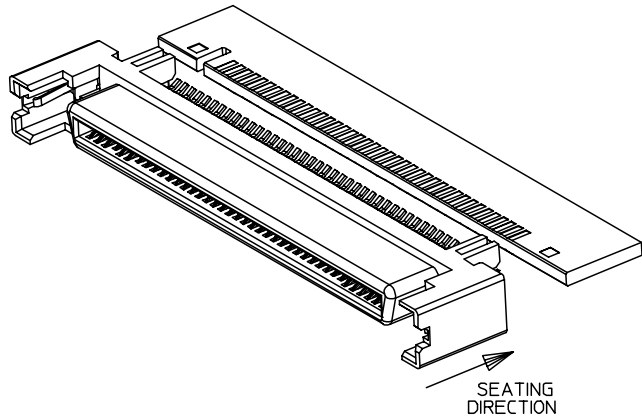
- 1) MATERIAL:  
HOUSING - HIGH TEMPERATURE NYLON, UL94, V-0, BLACK  
TERMINALS - COPPER ALLOY  
ESD METAL TERMINAL - COPPER ALLOY
- 2) PLATING:  
TERMINALS:  
0.76 MICROMETER MINIMUM SELECT GOLD AND  
2.54 MICROMETER MINIMUM SELECT TIN OVER  
1.27 MICROMETER MINIMUM NICKEL OVERALL  
  
ESD TERMINALS:  
3.81 MICROMETER MINIMUM TIN OVER  
1.27 MICROMETER MINIMUM NICKEL OVERALL
- 3) CONFORMS TO PRODUCT SPECIFICATION PS-73826-0000.
- 4) CIRCUIT NUMBERS 1, 36 THRU 43, 45, 46, AND 75 THRU 80, ARE ADVANCED TERMINALS FOR SEQUENTIAL MATING.
- 5) PACKAGED IN TRAYS PER PK-70873-5025.

EC NO: UCP2004-2038 DRWN: RLWHITE 2004/09/17 CHKD: BBARKER 2004/09/22 APPR: SMILLER 2004/10/05	QUALITY SYMBOLS ▽ = 0 ▽ = 0	GENERAL TOLERANCES (UNLESS SPECIFIED)		SCALE 3:1	DESIGN UNITS METRIC	THIRD ANGLE PROJECTION	REVISE ON CAD ONLY		
			mm	INCH	DIMENSION STYLE MM ONLY		TITLE		
		4 PLACES	± ---	± ---	DRAWN BY RWHITE	DATE 4/16/2004	80 CKT STRADDLEMOUNT SCA2 SALES DRAWING FOR 1.83MM THICK PCB		
		3 PLACES	± ---	± ---	CHECKED BY BBARKER	DATE 4/16/2004	MOLEX INCORPORATED		
2 PLACES	± 0.13	± ---	ANGULAR ±1/2°		APPROVED BY SMILLER	DATE 4/16/2004	MATERIAL NO. 750830280	DOCUMENT NO. SD-75083-002	SHEET NO. 1 OF 2
1 PLACE	± 0.25	± ---	DRAFT WHERE APPLICABLE		THIS DRAWING CONTAINS INFORMATION THAT IS PROPRIETARY TO MOLEX INCORPORATED AND SHOULD NOT BE USED WITHOUT WRITTEN PERMISSION				
MUST REMAIN WITHIN DIMENSIONS									

RECOMMENDED PCB LAYOUT  
 RECOMMENDED PCB THICKNESS: 1.83 +/-0.18 mm



LOCATION OF CONTACT POINT TO BOARD STOP



EC NO: UCP2004-2038 DRWN: RLWHITE 2004/09/17 CHKD: BBARKER 2004/09/22 APPR: SMILLER 2004/10/05	QUALITY SYMBOLS	GENERAL TOLERANCES (UNLESS SPECIFIED)		SCALE 3:1	DESIGN UNITS METRIC	THIRD ANGLE PROJECTION	REVISE ON CAD ONLY	
	DESCRIPTION ▽ = 0 ▽ = 0		mm	INCH	DIMENSION STYLE MM ONLY		TITLE	80 CKT STRADDLEMOUNT SCA2 SALES DRAWING FOR 1.83MM THICK PCB
		4 PLACES	± ---	± ---	DRAWN BY RWHITE	DATE 4/16/2004		
		3 PLACES	± ---	± ---	CHECKED BY BBARKER	DATE 4/16/2004		
	2 PLACES	± 0.13	± ---	APPROVED BY SMILLER	DATE 4/16/2004	MATERIAL NO. 750830280	DOCUMENT NO. SD-75083-002	
	1 PLACE	± 0.25	± ---	DRAFT WHERE APPLICABLE		MOLEX INCORPORATED SHEET NO. 2 OF 2		
	ANGULAR ± 1/2°		MUST REMAIN WITHIN DIMENSIONS		THIS DRAWING CONTAINS INFORMATION THAT IS PROPRIETARY TO MOLEX INCORPORATED AND SHOULD NOT BE USED WITHOUT WRITTEN PERMISSION			