



Chipsmall Limited consists of a professional team with an average of over 10 year of expertise in the distribution of electronic components. Based in Hongkong, we have already established firm and mutual-benefit business relationships with customers from,Europe,America and south Asia,supplying obsolete and hard-to-find components to meet their specific needs.

With the principle of “Quality Parts,Customers Priority,Honest Operation,and Considerate Service”,our business mainly focus on the distribution of electronic components. Line cards we deal with include Microchip,ALPS,ROHM,Xilinx,Pulse,ON,Everlight and Freescale. Main products comprise IC,Modules,Potentiometer,IC Socket,Relay,Connector.Our parts cover such applications as commercial,industrial, and automotives areas.

We are looking forward to setting up business relationship with you and hope to provide you with the best service and solution. Let us make a better world for our industry!



Contact us

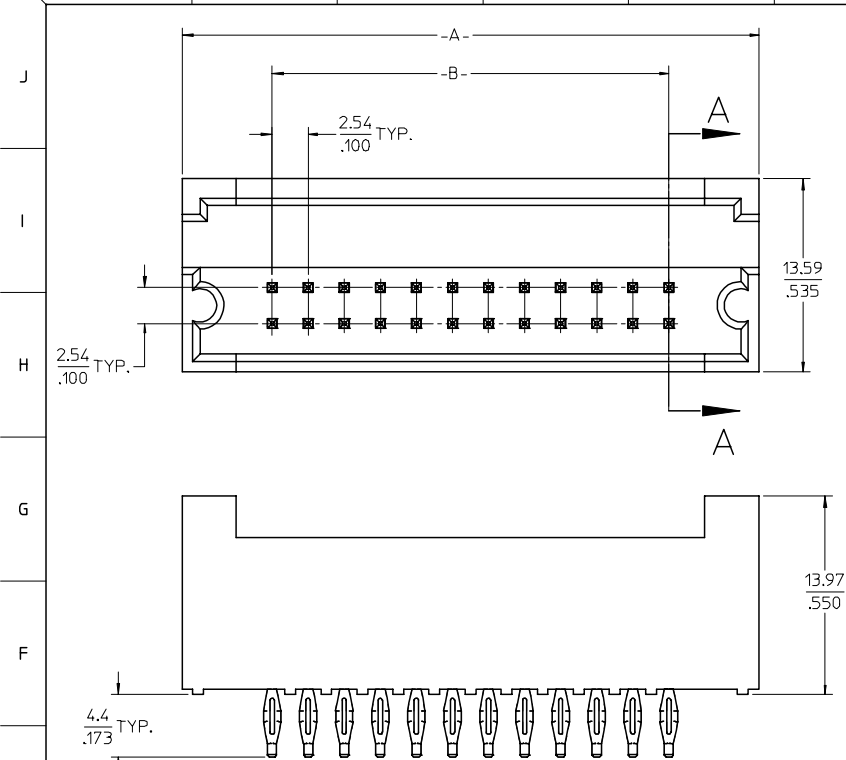
Tel: +86-755-8981 8866 Fax: +86-755-8427 6832

Email & Skype: info@chipsmall.com Web: www.chipsmall.com

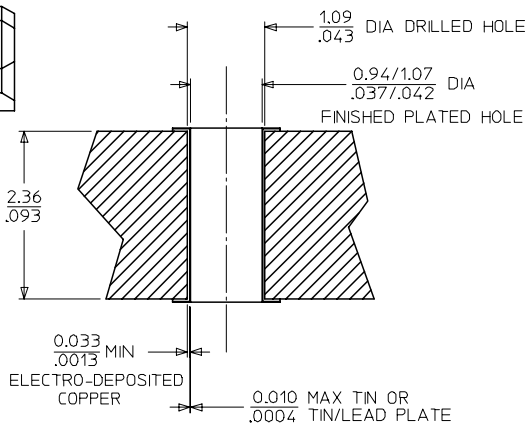
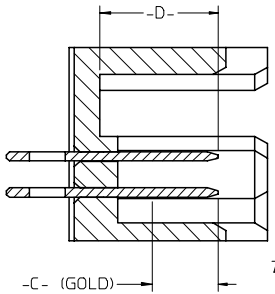
Address: A1208, Overseas Decoration Building, #122 Zhenhua RD., Futian, Shenzhen, China



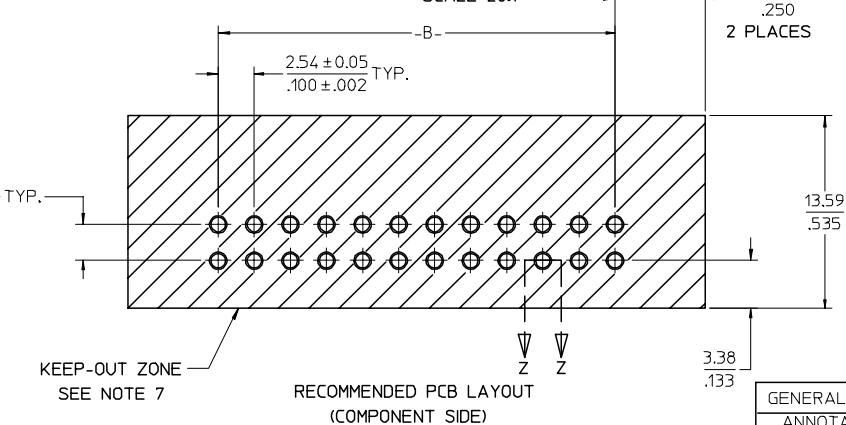
13 12 11 10 9 8 7 6 5 4 3 2 1



SECTION A-A



SECTION Z-Z
SCALE 20:1



CIRCUIT SIZE	DIM -A-	DIM -B-
4	15.24/1.600	2.54/1.00
6	17.78/1.700	5.08/1.200
8	20.32/1.800	7.62/1.300
10	22.86/1.900	10.16/1.400
12	25.40/1.000	12.70/1.500
14	27.94/1.100	15.24/1.600
16	30.48/1.200	17.78/1.700
18	33.02/1.300	20.32/1.800
20	35.56/1.400	22.86/1.900
22	38.10/1.500	25.40/1.000
24	40.64/1.600	27.94/1.100
26	43.10/1.700	30.48/1.200
28	45.72/1.800	33.02/1.300
30	48.26/1.900	35.56/1.400
32	50.80/2.000	38.10/1.500
34	53.34/2.100	40.64/1.600
36	55.88/2.200	43.10/1.700
38	58.42/2.300	45.72/1.800
40	60.96/2.400	48.26/1.900
42	63.50/2.500	50.80/2.000
44	66.04/2.600	53.34/2.100
46	68.58/2.700	55.88/2.200
48	71.12/2.800	58.42/2.300
50	73.66/2.900	60.96/2.400
52	76.20/3.000	63.50/2.500
54	78.74/3.100	66.04/2.600
56	81.28/3.200	68.58/2.700
58	83.82/3.300	71.12/2.800
60	86.36/3.400	73.66/2.900
62	88.90/3.500	76.20/3.000
64	91.44/3.600	78.74/3.100
66	93.98/3.700	81.28/3.200
68	96.52/3.800	83.82/3.300
70	99.06/3.900	86.36/3.400
72	101.60/4.000	88.90/3.500

- NOTES:
- MATERIAL:
INSULATOR: 30% GF NYLON, UL94V-0, COLOR - BLACK.
TERMINAL: COPPER ALLOY.
 - PLATING OPTIONS:
A- (0.00076)/.000030 MINIMUM SELECT GOLD AND (0.00254)/.000100 MINIMUM SELECT TIN/LEAD IN PC TAL AREA, OVER NICKEL OVERALL.*
B- (0.00038)/.000015 MINIMUM SELECT GOLD AND (0.00254)/.000100 MINIMUM SELECT TIN/LEAD IN PC TAL AREA, OVER NICKEL OVERALL.*
C- (0.00508)/.000200 MINIMUM TIN OVER NICKEL OVERALL.
 - PRODUCT SPECIFICATION: PS-75100-001.
 - PACKAGING SPECIFICATION: PK-70873-0070.
 - RECOMMENDED PCB THICKNESS: (2.36)/.093 MINIMUM
 - PART CONFORMS TO CLASS B REQUIREMENTS OF COSMETIC SPEC PS-45499-002.
 - NO FEATURES WHICH RISE ABOVE THE PCB SURFACE ALLOWED IN THIS AREA.
- *THE PRIMARY SHIPPING CARTON WILL BE LABELED *COMPLIANT TO RoHS DIRECTIVE 2002/95/EC AND ELV ANNEX II OF DIRECTIVE 2000/53/EC*. CARTONS WITHOUT THIS LABEL MAY CONTAIN PRODUCT WITH TIN-LEAD PLATING.

GENERAL DOCS	2	B1
ANNOTATOR	1	D
SOFTWARE	SHEET	REV.

ADD KEEP-OUT ZONE EC NO: UICP2007-1594 DRAWN BY: BARRA 2007/01/04 CHKD: BARKER 2007/01/04 APPR: MILLER 2007/01/05 REV:	QUALITY SYMBOLS ▽=0 ▽=0	GENERAL TOLERANCES (UNLESS SPECIFIED)		DIMENSION STYLE MM/IN		SCALE 4:1	DESIGN UNITS INCH	THIRD ANGLE PROJECTION
		4 PLACES ± --- ± --- 3 PLACES ± --- ± .010 2 PLACES ± 0.25 ± --- 1 PLACE ± --- ± ---	DRAWN BY MARGUL IS DATE 02/03/28	CHECKED BY MARGUL IS DATE 02/03/28	TITLE .100 DUAL ROW HEADER FULLY SHROUDED WITH CPI TERMINALS			
		ANGULAR ±1/2°	APPROVED BY FRY DATE 02/03/28	MATERIAL NO. SD-75100-001				
		DRAFT WHERE APPLICABLE MUST REMAIN WITHIN DIMENSIONS	SEE CHART	SHEET NO. 1 OF 2				

THIS DRAWING CONTAINS INFORMATION THAT IS PROPRIETARY TO MOLEX INCORPORATED AND SHOULD NOT BE USED WITHOUT WRITTEN PERMISSION

C GRID 100 HEADER DUAL ROW SHROUDED WITH COMPLIANT PINS

DIM D:	8.36/.329
PLATING:	"A" – 30 GOLD
GOLD AREA DIM C:	5.08/.200
VOID CKT:	NONE
PACKAGING:	PK-70873-0070

CKT	MATERIAL NO.	CKT	MATERIAL NO.
04	75100-0001	40	75100-0019
06	75100-0002	42	75100-0020
08	75100-0003	44	75100-0021
10	75100-0004	46	75100-0022
12	75100-0005	48	75100-0023
14	75100-0006	50	75100-0024
16	75100-0007	52	75100-0025
18	75100-0008	54	75100-0026
20	75100-0009	56	75100-0027
22	75100-0010	58	75100-0028
24	75100-0011	60	75100-0029
26	75100-0012	62	75100-0030
28	75100-0013	64	75100-0031
30	75100-0014	66	75100-0032
32	75100-0015	68	75100-0033
34	75100-0016	70	75100-0034
36	75100-0017	72	75100-0035
38	75100-0018		

DIM D:	8.36/.329
PLATING:	"B" – 15 GOLD
GOLD AREA DIM C:	5.08/.200
VOID CKT:	NONE
PACKAGING:	PK-70873-0070

CKT	MATERIAL NO.	CKT	MATERIAL NO.
04	75100-0065	40	75100-0083
06	75100-0066	42	75100-0084
08	75100-0067	44	75100-0085
10	75100-0068	46	75100-0086
12	75100-0069	48	75100-0087
14	75100-0070	50	75100-0088
16	75100-0071	52	75100-0089
18	75100-0072	54	75100-0090
20	75100-0073	56	75100-0091
22	75100-0074	58	75100-0092
24	75100-0075	60	75100-0093
26	75100-0076	62	75100-0094
28	75100-0077	64	75100-0095
30	75100-0078	66	75100-0096
32	75100-0079	68	75100-0097
34	75100-0080	70	75100-0098
36	75100-0081	72	75100-0099
38	75100-0082		

DIM D:	8.36/.329
PLATING:	"C" - TIN
GOLD AREA DIM C:	N/A
VOID CKT:	NONE
PACKAGING:	PK-70873-0070

CKT	MATERIAL NO.	CKT	MATERIAL NO.
04	75100-0129	40	75100-0147
06	75100-0130	42	75100-0148
08	75100-0131	44	75100-0149
10	75100-0132	46	75100-0150
12	75100-0133	48	75100-0151
14	75100-0134	50	75100-0152
16	75100-0135	52	75100-0153
18	75100-0136	54	75100-0154
20	75100-0137	56	75100-0155
22	75100-0138	58	75100-0156
24	75100-0139	60	75100-0157
26	75100-0140	62	75100-0158
28	75100-0141	64	75100-0159
30	75100-0142	66	75100-0160
32	75100-0143	68	75100-0161
34	75100-0144	70	75100-0162
36	75100-0145	72	75100-0163
38	75100-0146		

REV: B1	<u>ECR/ECN INFORMATION:</u>	<u>TITLE:</u> .100 DUAL ROW HEADER FULLY SHROUDED WITH CPI TERMINALS	<u>SHEET No.</u>	
	EC No.: UCP2007-0045		- 2 -	
	DATE: 10/19/2006			
<u>DOCUMENT NUMBER:</u> SD-75100-001		<u>CREATED / REVISED BY:</u> ADERR	<u>CHECKED BY:</u> LSCHMIDT	<u>APPROVED BY:</u> FSMITH