



Chipsmall Limited consists of a professional team with an average of over 10 year of expertise in the distribution of electronic components. Based in Hongkong, we have already established firm and mutual-benefit business relationships with customers from,Europe,America and south Asia,supplying obsolete and hard-to-find components to meet their specific needs.

With the principle of "Quality Parts,Customers Priority,Honest Operation,and Considerate Service",our business mainly focus on the distribution of electronic components. Line cards we deal with include Microchip,ALPS,ROHM,Xilinx,Pulse,ON,Everlight and Freescale. Main products comprise IC,Modules,Potentiometer,IC Socket,Relay,Connector.Our parts cover such applications as commercial,industrial, and automotives areas.

We are looking forward to setting up business relationship with you and hope to provide you with the best service and solution. Let us make a better world for our industry!



Contact us

Tel: +86-755-8981 8866 Fax: +86-755-8427 6832

Email & Skype: info@chipsmall.com Web: www.chipsmall.com

Address: A1208, Overseas Decoration Building, #122 Zhenhua RD., Futian, Shenzhen, China



CKT SIZE	*A* DIM	*B* DIM	*C* DIM	*D* DIM	*E* DIM	CABLE OD
18	1.320/33.55	.691/17.56	.950/24.13	1.835/46.62	.490/12.45	.310/7.87
28	1.570/39.90	.941/23.91	1.200/30.48	1.835/46.62	.490/12.45	.335/8.51
48	2.070/52.60	1.441/36.61	1.700/43.18	2.478/62.93	.569/14.45	.440/11.18

NOTES:

1. MATERIALS:

BACKSHELL - ZINC ALLOY DIE CAST, FINISH BLACK POLYURETHANE ENAMEL.

JACKSCREW - STEEL ALLOY, FINISH BLACK ZINC PLATING.

MOUNTING SCREW - STEEL ALLOY, FINISH BLACK ZINC PLATING.

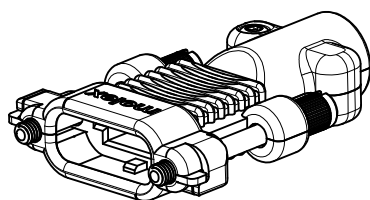
2. PLUG CABLE KIT COMPONENTS TO BE BULK PACKAGED PER PK-75115-990.

3. MOUNTING SCREW APPLICATION TORQUE TO BE MIN. 3 lbf-in AND NOT TO EXCEED 4 lbf-in.

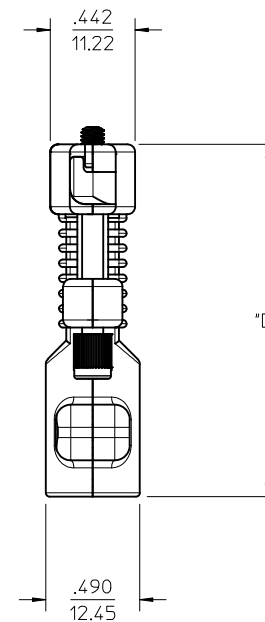
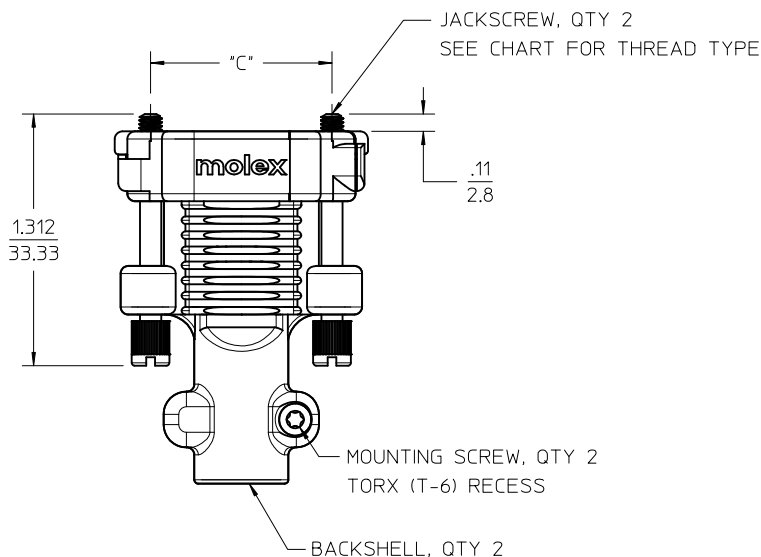
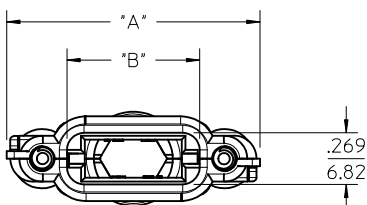
4. STRAIN RELIEF IS DESIGNED FOR THE CABLE DIAMETER SPECIFIED IN TABLE ON THIS PAGE.

WHEN USING SMALLER CABLE DIAMETER, USE HEAT SHRINK TUBING TO BUILD UP THE CABLE TO SPECIFIED DIAMETER.

5. PARTS CONFORM TO CLASS B OF COSMETIC SPECIFICATION PS-45499-002.



18 CIRCUIT PLUG CABLE KIT SHOWN



75115-0048	75115-1048	48
75115-0028	75115-1028	28
75115-0018	75115-1018	18
PLUG CABLE KIT (4-40 JACKSCREW)	PLUG CABLE KIT (M3 JACKSCREW)	CIRCUIT SIZE

CORRECT LENGTH DIM EC NO: UCP2011-3769 DRAWN BY: DRWN:MORGAN 2011/06/02 CHKD:MIBARRA 2011/06/02 APPR:SMILLER 2011/06/20	QUALITY SYMBOLS ▽=0 ▽=0 ▽=0	GENERAL TOLERANCES (UNLESS SPECIFIED)		DIMENSION STYLE IN/MM		SCALE 2:1	DESIGN UNITS METRIC	THIRD ANGLE PROJECTION	
		mm	INCH	DRAWN BY	DATE	TITLE			
		4 PLACES ± .010	± .010	TMCCLELL	02/11/05	SALES DRAWING TDP PLUG CABLE KIT BLACK FINISH			
		3 PLACES ± .010	± .010	CHECKED BY	DATE				
		2 PLACES ± 0.25	± .015	TMCCLELL	02/11/07	MOLEX INCORPORATED			
		1 PLACE ± 0.38	± .010	APPROVED BY	DATE				
		ANGULAR ± 1/2°		BANAKIS	02/11/07	DOCUMENT NO.		SHEET NO.	
		DRAFT WHERE APPLICABLE MUST REMAIN WITHIN DIMENSIONS		SEE CHART		SD-75115-001		1 OF 1	
		THIS DRAWING CONTAINS INFORMATION THAT IS PROPRIETARY TO MOLEX INCORPORATED AND SHOULD NOT BE USED WITHOUT WRITTEN PERMISSION							