



Chipsmall Limited consists of a professional team with an average of over 10 year of expertise in the distribution of electronic components. Based in Hongkong, we have already established firm and mutual-benefit business relationships with customers from,Europe,America and south Asia,supplying obsolete and hard-to-find components to meet their specific needs.

With the principle of "Quality Parts,Customers Priority,Honest Operation,and Considerate Service",our business mainly focus on the distribution of electronic components. Line cards we deal with include Microchip,ALPS,ROHM,Xilinx,Pulse,ON,Everlight and Freescale. Main products comprise IC,Modules,Potentiometer,IC Socket,Relay,Connector.Our parts cover such applications as commercial,industrial, and automotives areas.

We are looking forward to setting up business relationship with you and hope to provide you with the best service and solution. Let us make a better world for our industry!



## Contact us

Tel: +86-755-8981 8866 Fax: +86-755-8427 6832

Email & Skype: info@chipsmall.com Web: www.chipsmall.com

Address: A1208, Overseas Decoration Building, #122 Zhenhua RD., Futian, Shenzhen, China

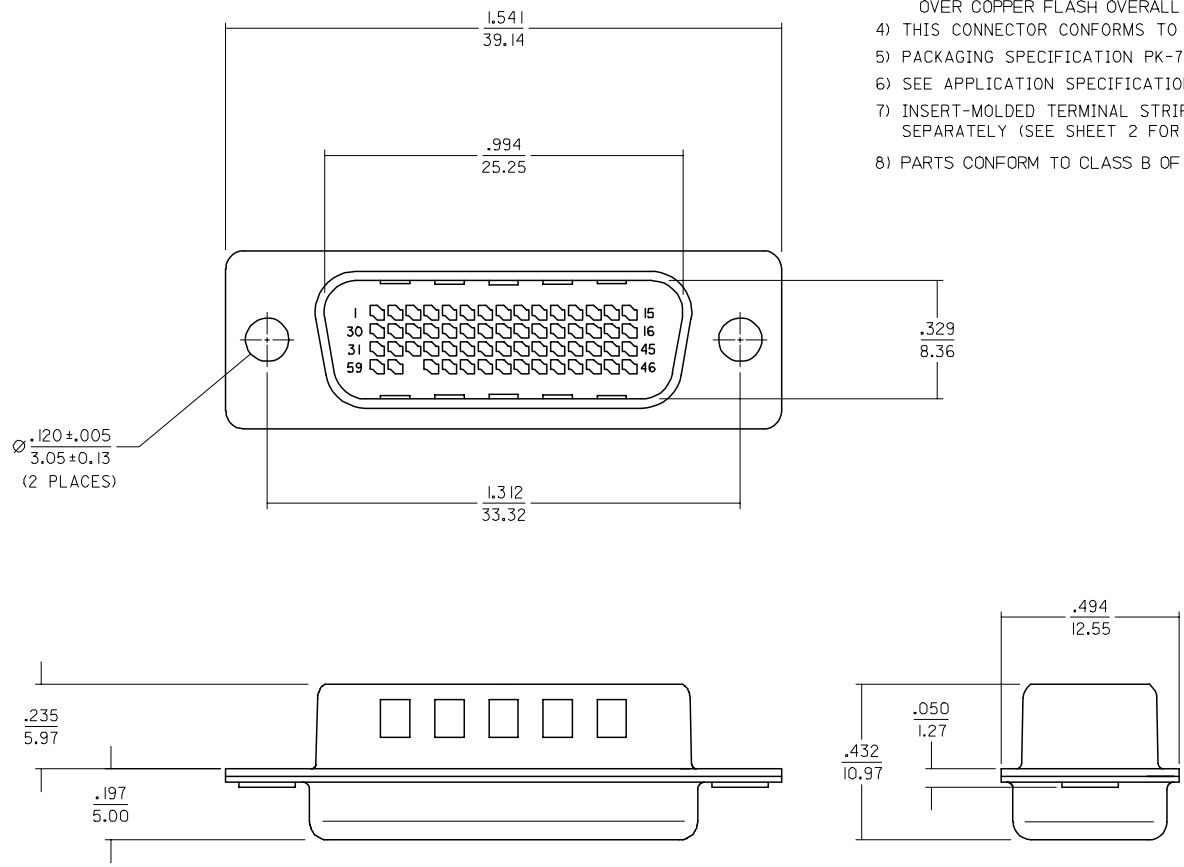


13 12 11 10 9 8 7 6 5 4 3 2 1

| ITEM NUMBER | PRODUCT DESCRIPTION       | FRONT SHELL PLATING |
|-------------|---------------------------|---------------------|
| 75135-1000  | DMS-59 I/O PLUG CONNECTOR | BRIGHT TIN          |
| 75135-1009  | DMS-59 I/O PLUG CONNECTOR | BRIGHT NICKEL       |

**NOTES:**

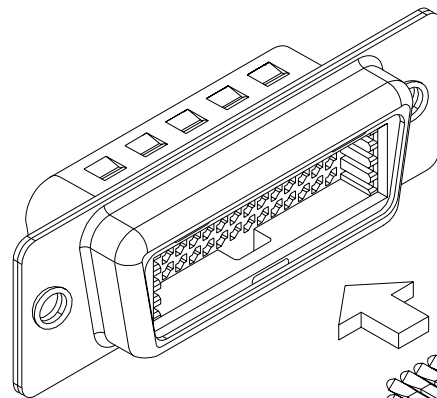
- 1) PLASTIC HOUSING:  
GLASS FILLED LCP (LIQUID CRYSTAL POLYMER), UL94 V-0, COLOR: NATURAL.
- 2) FRONT SHELL:  
DEEP DRAWN STEEL:  
PLATING: SEE TABLE  
BRIGHT TIN: 150-250 MICRONS BRIGHT TIN OVER 50-150 MICRONS NICKEL OVER COPPER FLASH OVERALL (OPTIONAL).  
BRIGHT NICKEL: 100-175 MICRONS BRIGHT NICKEL OVER 50 MICRONS MAXIMUM COPPER OVERALL.
- 3) BACK SHELL:  
DEEP DRAWN STEEL:  
PLATING: 150-250 MICRONS BRIGHT TIN OVER 50-150 MICRONS NICKEL OVER COPPER FLASH OVERALL (OPTIONAL).
- 4) THIS CONNECTOR CONFORMS TO PRODUCT SPECIFICATION PS-75134-001.
- 5) PACKAGING SPECIFICATION PK-70873-0236 APPLIES.
- 6) SEE APPLICATION SPECIFICATION PS-70929 FOR ASSEMBLY AND TERMINATION DETAILS.
- 7) INSERT-MOLDED TERMINAL STRIP ASSEMBLIES ARE SUPPLIED SEPARATELY (SEE SHEET 2 FOR ORDERING INFORMATION).
- 8) PARTS CONFORM TO CLASS B OF COSMETIC SPECIFICATION PS-45499-002.



|     |     |
|-----|-----|
| 2   | A   |
| 1   | D   |
| SHT | REV |

|   |                     |   |                        |   |                       |                              |                                |                                  |                                   |  |
|---|---------------------|---|------------------------|---|-----------------------|------------------------------|--------------------------------|----------------------------------|-----------------------------------|--|
| ADD COSMETIC SPEC<br>FC NO: UCP2007-2622<br>DRW: DMORGAN 2007/09/13<br>CHK: MSIBARRA 2007/09/13<br>APPR: SMILLER 2007/09/13 | QUALITY SYMBOLS<br> | GENERAL TOLERANCES (UNLESS SPECIFIED)                   |                        | DIMENSION STYLE<br>IN/MM  |                       | SCALE<br>4:1                 | DESIGN UNITS<br>INCH           | THIRD ANGLE PROJECTION           |                                   |  |
|   |                     | 4 PLACES ± .010 ± .015                                  | 3 PLACES ± .010 ± .015 | 2 PLACES ± 0.25 ± .015  | 1 PLACE ± 0.38 ± .015 | ANGULAR ± 1/2°               | DRAWN BY<br>DMORGAN 2002/10/17 | CHECKED BY<br>BBARKER 2002/10/17 | APPROVED BY<br>SMILLER 2002/10/17 | TITLE<br>SALES DMS-59 I/O PLUG<br>LFH .050/1.27 PITCH<br>59 CKT CABLE ASSY |
|   |                     | DRAFT WHERE APPLICABLE<br>MUST REMAIN WITHIN DIMENSIONS |                        | SEE TABLE   |                       | MATERIAL NO.<br>SD-75135-001 | MOLEX INCORPORATED             |                                  |                                   |  |
|   |                     | SIZE<br>  |                        | THIS DRAWING CONTAINS INFORMATION THAT IS PROPRIETARY TO MOLEX INCORPORATED AND SHOULD NOT BE USED WITHOUT WRITTEN PERMISSION |                       | DOCUMENT NO.                 | SHEET NO.<br>1 OF 2            |                                  |                                   |  |

12 11 10 9 8 7 6 5 4 3 2 1



PLUG CONNECTOR  
75135-1000

70984-10\*\*  
(15 CIRCUIT STICK)  
(3 REQUIRED PER ASSEMBLY)

INSERT MOLDED TERMINAL STICKS  
SUPPLIED SEPARATELY  
SEE SALES DRAWING SDA-70984-100\* FOR 70984-10\*\*  
SEE SALES DRAWING SD-70984-100 FOR 70984-109\*  
NOTE: STICKS SHOWN WITH CARRIER REMOVED

70984-109\*  
(14 CIRCUIT STICK)  
(1 REQUIRED PER ASSEMBLY)

|  |   |   |  |   |  |  |                        |          |          |
|--|---|---|--|---|--|--|------------------------|----------|----------|
| INITIAL RELEASE<br>EC NO. UCP2003-0543<br>DRWNG: DMORGAN 02/10/17<br>CHK: BBARKER 02/10/17<br>APPR: SMILLER 02/10/17 | QUALITY SYMBOLS<br>MAJOR $\blacktriangledown$ =<br>CRITICAL $\nabla$ =<br>DESCRIPTION | GENERAL TOLERANCES:<br>(UNLESS SPECIFIED)               |  | SCALE :   | DESIGN UNITS<br><input type="checkbox"/> mm <input checked="" type="checkbox"/> INCH | DIMENSIONS:<br><input type="checkbox"/> mm <input checked="" type="checkbox"/> INCH <input type="checkbox"/> mm ONLY | THIRD ANGLE PROJECTION | SHT<br>2 | REV<br>2 |
|  |   | 4 PLACES $\pm 0.$ $\pm .$                               | DRAWN BY & DATE<br>DMORGAN 02/10/17    | TITLE: SALES DMS-59 I/O PLUG<br>LFH .050/1.27 PITCH<br>59 CKT CABLE ASSY  |  |  |                        |          |          |
|  |   | 3 PLACES $\pm 0.$ $\pm .010$                            | CHECKED BY & DATE<br>BBARKER 02/10/17  | MOLEX INCORPORATED  |  |  |                        |          |          |
|  |   | 2 PLACES $\pm 0.25$ $\pm .015$                          | APPROVED BY & DATE<br>SMILLER 02/10/17 | CAD FILENAME  | MATERIAL NO.<br>SEE CHART  | DRAWING NO.<br>SD-75135-001  | SHEET NO.<br>2         |          |          |
| 1 PLACE $\pm 0.38$ $\pm .$   | ANGULAR: $\pm 1/2^\circ$  | DRAFT WHERE APPLICABLE MUST<br>REMAIN WITHIN DIMENSIONS |  | THIS DRAWING CONTAINS INFORMATION THAT IS PROPRIETARY TO MOLEX<br>INCORPORATED AND SHOULD NOT BE USED WITHOUT WRITTEN PERMISSION. |  |  | SIZE<br>C              |          |          |