



Chipsmall Limited consists of a professional team with an average of over 10 year of expertise in the distribution of electronic components. Based in Hongkong, we have already established firm and mutual-benefit business relationships with customers from,Europe,America and south Asia,supplying obsolete and hard-to-find components to meet their specific needs.

With the principle of “Quality Parts,Customers Priority,Honest Operation,and Considerate Service”,our business mainly focus on the distribution of electronic components. Line cards we deal with include Microchip,ALPS,ROHM,Xilinx,Pulse,ON,Everlight and Freescale. Main products comprise IC,Modules,Potentiometer,IC Socket,Relay,Connector.Our parts cover such applications as commercial,industrial, and automotives areas.

We are looking forward to setting up business relationship with you and hope to provide you with the best service and solution. Let us make a better world for our industry!



Contact us

Tel: +86-755-8981 8866 Fax: +86-755-8427 6832

Email & Skype: info@chipsmall.com Web: www.chipsmall.com

Address: A1208, Overseas Decoration Building, #122 Zhenhua RD., Futian, Shenzhen, China

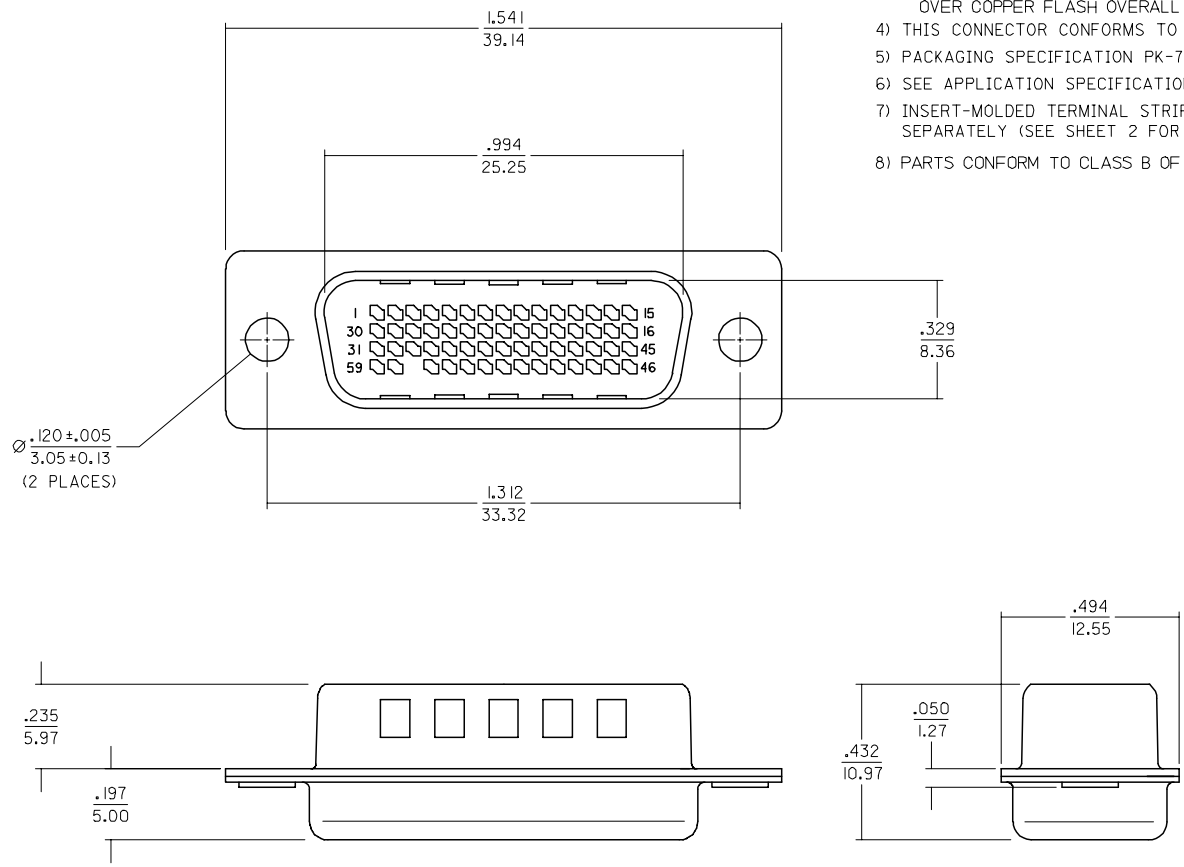


13 12 11 10 9 8 7 6 5 4 3 2 1

ITEM NUMBER	PRODUCT DESCRIPTION	FRONT SHELL PLATING
75135-1000	DMS-59 I/O PLUG CONNECTOR	BRIGHT TIN
75135-1009	DMS-59 I/O PLUG CONNECTOR	BRIGHT NICKEL

NOTES:

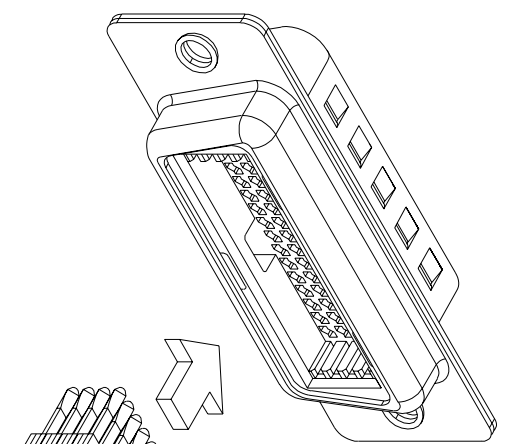
- 1) PLASTIC HOUSING:
GLASS FILLED LCP (LIQUID CRYSTAL POLYMER), UL94 V-0, COLOR: NATURAL.
- 2) FRONT SHELL:
DEEP DRAWN STEEL:
PLATING: SEE TABLE
BRIGHT TIN: 150-250 MICRONS BRIGHT TIN OVER 50-150 MICRONS NICKEL OVER COPPER FLASH OVERALL (OPTIONAL).
BRIGHT NICKEL: 100-175 MICRONS BRIGHT NICKEL OVER 50 MICRONS MAXIMUM COPPER OVERALL.
- 3) BACK SHELL:
DEEP DRAWN STEEL:
PLATING: 150-250 MICRONS BRIGHT TIN OVER 50-150 MICRONS NICKEL OVER COPPER FLASH OVERALL (OPTIONAL).
- 4) THIS CONNECTOR CONFORMS TO PRODUCT SPECIFICATION PS-75134-001.
- 5) PACKAGING SPECIFICATION PK-70873-0236 APPLIES.
- 6) SEE APPLICATION SPECIFICATION PS-70929 FOR ASSEMBLY AND TERMINATION DETAILS.
- 7) INSERT-MOLDED TERMINAL STRIP ASSEMBLIES ARE SUPPLIED SEPARATELY (SEE SHEET 2 FOR ORDERING INFORMATION).
- 8) PARTS CONFORM TO CLASS B OF COSMETIC SPECIFICATION PS-45499-002.



2	A
1	D
SHT	REV

ADD COSMETIC SPEC FC NO: UCP2007-2622 DRW: DMORGAN 2007/09/13 CHK: MS BARRA 2007/09/13 APPR: SMILLER 2007/09/13	QUALITY SYMBOLS ▽=0 ▽=0	GENERAL TOLERANCES (UNLESS SPECIFIED) mm INCH 4 PLACES ± .010 ± .004 3 PLACES ± .015 ± .006 2 PLACES ± 0.25 ± .015 1 PLACE ± 0.38 ± .015 ANGULAR ± 1/2°	DIMENSION STYLE IN/MM DRAWN BY DATE DMORGAN 2002/10/17 CHECKED BY DATE BBARKER 2002/10/17 APPROVED BY DATE SMILLER 2002/10/17	SCALE 4:1 DESIGN UNITS INCH THIRD ANGLE PROJECTION	TITLE SALES DMS-59 I/O PLUG LFH .050/1.27 PITCH 59 CKT CABLE ASSY
		DRAFT WHERE APPLICABLE MUST REMAIN WITHIN DIMENSIONS	MATERIAL NO. SEE TABLE	DOCUMENT NO. SD-75135-001	SHEET NO. 1 OF 2
		THIS DRAWING CONTAINS INFORMATION THAT IS PROPRIETARY TO MOLEX INCORPORATED AND SHOULD NOT BE USED WITHOUT WRITTEN PERMISSION			
		MOLEX INCORPORATED			

12 11 10 9 8 7 6 5 4 3 2 1



PLUG CONNECTOR
75135-1000

70984-10**
(15 CIRCUIT STICK)
(3 REQUIRED PER ASSEMBLY)

INSERT MOLDED TERMINAL STICKS
SUPPLIED SEPARATELY
SEE SALES DRAWING SDA-70984-100* FOR 70984-10**
SEE SALES DRAWING SD-70984-100 FOR 70984-109*
NOTE: STICKS SHOWN WITH CARRIER REMOVED

70984-109*
(14 CIRCUIT STICK)
(1 REQUIRED PER ASSEMBLY)

INITIAL RELEASE		EC No. UCP2003-0543	
DRWN:DMORGAN 02/10/17		CH'K: BBARKER 02/10/17	
APPR:SMILLER 02/10/17			
REV	DESCRIPTION	QUALITY SYMBOLS	GENERAL TOLERANCES: (UNLESS SPECIFIED)
A		MAJOR = CRITICAL C/= C/ =	MM INCH
			1 PLAGE ±0.38 ±. ANGULAR: ± 1/2 °
			2 PLAGES ±0.25 ±0.15
			3 PLAGES ±0. ±0.10
			4 PLAGES ±0. ±.
DRAFT WHERE APPLICABLE MUST REMAIN WITHIN DIMENSIONS		SCALE	DESIGN UNITS
		1:1	MM INCH
			THIRD ANGLE PROJECTION
THIS DRAWING CONTAINS INFORMATION THAT IS PROPRIETARY TO MOLEX INCORPORATED AND SHOULD NOT BE USED WITHOUT WRITTEN PERMISSION.		TITLE: SALES DMS-59 1/0 PLUG	
		LFH .050/1.27 PITCH	
		59 CKT CABLE ASSY	
		MOLEX INCORPORATED	
MATERIAL NO. SEE CHART		DRAWING NO. SD-75135-001	
SHEET NO. 2		REVISE ON CAD ONLY	
SIZE C			