



Chipsmall Limited consists of a professional team with an average of over 10 year of expertise in the distribution of electronic components. Based in Hongkong, we have already established firm and mutual-benefit business relationships with customers from,Europe,America and south Asia,supplying obsolete and hard-to-find components to meet their specific needs.

With the principle of “Quality Parts,Customers Priority,Honest Operation,and Considerate Service”,our business mainly focus on the distribution of electronic components. Line cards we deal with include Microchip,ALPS,ROHM,Xilinx,Pulse,ON,Everlight and Freescale. Main products comprise IC,Modules,Potentiometer,IC Socket,Relay,Connector.Our parts cover such applications as commercial,industrial, and automotives areas.

We are looking forward to setting up business relationship with you and hope to provide you with the best service and solution. Let us make a better world for our industry!



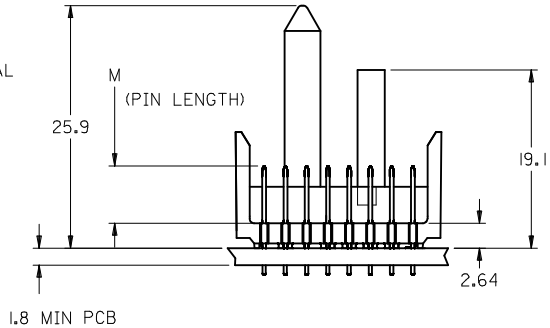
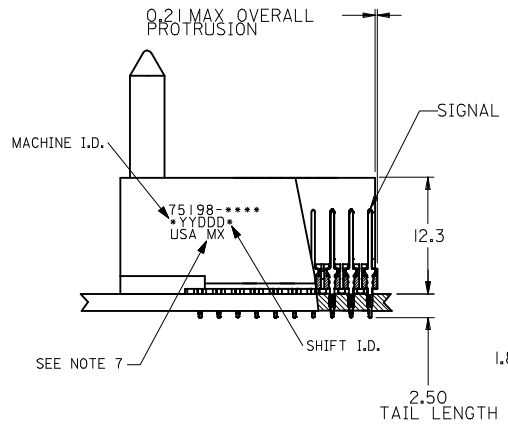
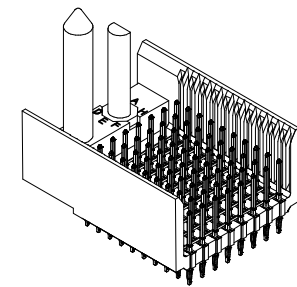
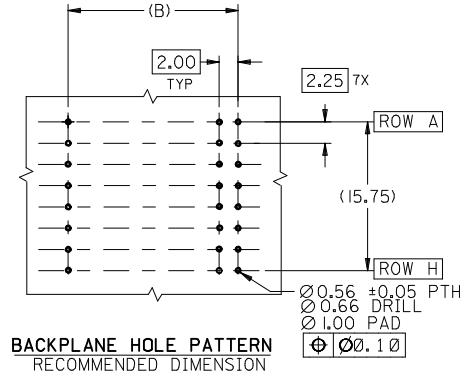
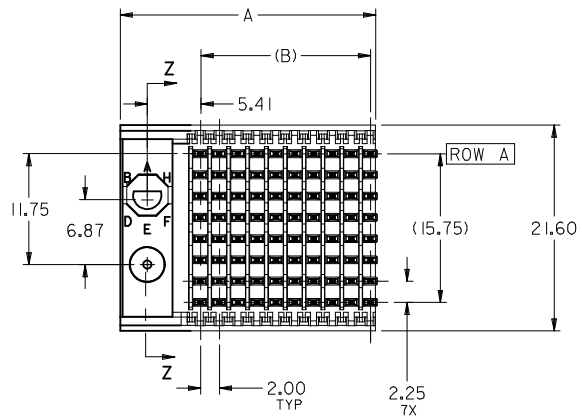
Contact us

Tel: +86-755-8981 8866 Fax: +86-755-8427 6832

Email & Skype: info@chipsmall.com Web: www.chipsmall.com

Address: A1208, Overseas Decoration Building, #122 Zhenhua RD., Futian, Shenzhen, China





- NOTES:
- MATERIALS:
HOUSING - LIQUID CRYSTAL POLYMER (LCP),
GLASS-FILLED, UL 94V-0, COLOR: BLACK
SIGNAL PIN - COPPER ALLOY
 - FINISHES:
CONTACT AREA: SELECTIVE GOLD (Au)
PCB TAILS: SELECTIVE MATTE TIN (Sn)
NICKEL (Ni) OVERALL.
 - THIS PART CONFORMS TO MOLEX PRODUCT SPECIFICATION PS-74031-999
 - FOR MIXED CONTACT LENGTHS CONSULT MOLEX FOR AVAILABILITY
 - FOR SPECIFIC MATERIAL NUMBERS & MATING INFORMATION REFER TO SHEET 2
 - PACKAGE PER PK-74061-003
 - MARK PART WITH PART NUMBER & DATE CODE APPROXIMATELY WHERE SHOWN
 - MAPS (MOLEX ADVANCED PLATING SYSTEM)

THE PRIMARY CARTON WITH A LABEL STATING "ELV AND RoHS COMPLAINT" IS LEAD FREE. CARTONS WITHOUT THIS LABEL MAY CONTAIN LEAD.

| | | |
|---|-----------------|-------------|
| LEAD FREE CONVERSION EC NO: UCP2013-0687 DRAWINGS: 2012/08/24 CHKD:MOLFE 2012/11/21 APPR:SMILLER 2012/12/14 | QUALITY SYMBOLS | DESCRIPTION |
| | ▽=0 | |
| | ▽=0 | |
| | ▽=0 | |

| | |
|--|-------|
| GENERAL TOLERANCES (UNLESS SPECIFIED) | |
| mm | INCH |
| 4 PLACES ± --- | ± --- |
| 3 PLACES ± --- | ± --- |
| 2 PLACES ± --- | ± --- |
| 1 PLACE ± --- | ± --- |
| 0 PLACE ± | ± |
| ANGULAR ±1/2° | |
| DRAFT WHERE APPLICABLE MUST REMAIN WITHIN DIMENSIONS | |

| | |
|----------------------------|------------|
| DIMENSION STYLE MM ONLY | |
| DRAWN BY | DATE |
| JMELTON | 2010/05/19 |
| CHECKED BY | DATE |
| SDANNELLEY | 2010/05/19 |
| APPROVED BY | DATE |
| SMILLER | 2010/07/14 |
| MATERIAL NO. | |
| SEE SHEET 2 | |

| | | |
|--|------------------------|------------------------|
| SCALE 2.5:1 | DESIGN UNITS METRIC | THIRD ANGLE PROJECTION |
| TITLE VHDM LITE 8 ROW SIGNAL END BACKPLANE SALES ASSEMBLY | | |
| DOCUMENT NO. SD-75198-001 | | |
| SHEET NO. 1 OF 2 | | |

THIS DRAWING CONTAINS INFORMATION THAT IS PROPRIETARY TO MOLEX INCORPORATED AND SHOULD NOT BE USED WITHOUT WRITTEN PERMISSION

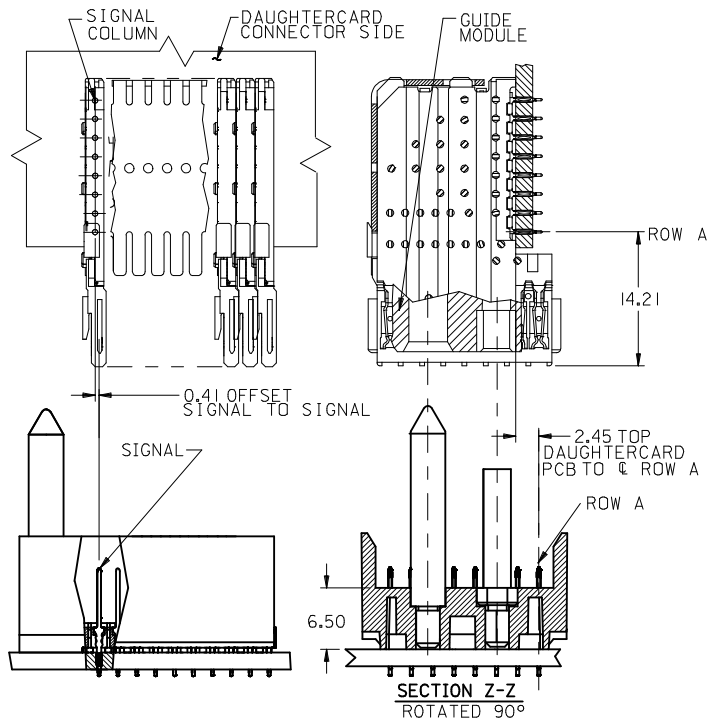
| | | | | | | | | | |
|---------------------------|-------|-------|-------|-------|-------|-------|-------|-------|-------|
| M/N 75198-() | -**0* | -**1* | -**2* | -**3* | -**4* | -**5* | -**6* | -**7* | -**8* |
| KEYING PIN ORIENTATION | O | A | B | C | D | E | F | G | H |

75198 - * * * *

NUMBER OF COLUMNS/PLATING
 10 = 10 COLUMN MATTE TIN (FORMERLY TIN/LEAD)
 25 = 25 COLUMN MATTE TIN (FORMERLY TIN/LEAD)
 60 = 10 COLUMN MATTE TIN (MAPS)
 75 = 25 COLUMN MATTE TIN (MAPS)
 90 = 10 COLUMN MATTE TIN
 85 = 25 COLUMN MATTE TIN

PIN HEIGHT
 1 = 4.75
 2 = 6.25
 3 = 4.25
 4 = 5.15

| PART NUMBER | COLUMN | NUMBER OF SIGNAL PIN | NUMBER OF SHIELD | A | B | M | GOLD THICKNESS MICROMETER | TIN THICKNESS MICROMETER |
|-------------|--------|----------------------|------------------|-------|-------|------|---------------------------|--------------------------|
| 75198-60*1 | 10 | 80 | 0 | 27.00 | 18.00 | 4.75 | 0.25 MAPS | 0.76-1.52 |
| 75198-*0*1 | | | | | | | 0.76 | |
| 75198-75*1 | 25 | 200 | 0 | 57.00 | 48.00 | 6.25 | 0.25 MAPS | |
| 75198-*5*1 | | | | | | | 0.76 | |
| 75198-60*2 | 10 | 80 | 0 | 27.00 | 18.00 | 6.25 | 0.25 MAPS | |
| 75198-*0*2 | | | | | | | 0.76 | |
| 75198-75*2 | 25 | 200 | 0 | 57.00 | 48.00 | 4.25 | 0.25 MAPS | |
| 75198-*5*2 | | | | | | | 0.76 | |
| 75198-60*3 | 10 | 80 | 0 | 27.00 | 18.00 | 5.15 | 0.25 MAPS | |
| 75198-*0*3 | | | | | | | 0.76 | |
| 75198-75*3 | 25 | 200 | 0 | 57.00 | 48.00 | 4.25 | 0.25 MAPS | |
| 75198-*5*3 | | | | | | | 0.76 | |
| 75198-60*4 | 10 | 80 | 0 | 27.00 | 18.00 | 5.15 | 0.25 MAPS | |
| 75198-*0*4 | | | | | | | 0.76 | |
| 75198-75*4 | 25 | 200 | 0 | 57.00 | 48.00 | 4.25 | 0.25 MAPS | |
| 75198-*5*4 | | | | | | | 0.76 | |



| | | | | | | |
|--|----------------------|--|--|---|--|------------------------|
| SEE SHEET 1 EC NO: UCP2013-0687 DRWNGES CHKD:MMOLFE APPR:SMILLER 2012/08/24 2012/11/21 2012/12/14 | QUALITY SYMBOLS | GENERAL TOLERANCES (UNLESS SPECIFIED) | DIMENSION STYLE MM ONLY | SCALE 2.5:1 | DESIGN UNITS METRIC | THIRD ANGLE PROJECTION |
| | ▽=0 | mm INCH | DRAWN BY DATE JMELTON 2010/05/19 | TITLE | VHDM LITE 8 ROW SIGNAL END BACKPLANE SALES ASSEMBLY molex SD-75198-001 SHEET NO. 2 OF 2 | |
| | ▽=0 | 4 PLACES ± --- ± --- | CHECKED BY DATE SDANNELLEY 2010/05/19 | | | |
| | ▽=0 | 3 PLACES ± --- ± --- | APPROVED BY DATE SMILLER 2010/07/14 | | | |
| ▽=0 | 2 PLACES ± --- ± --- | MATERIAL NO. SEE TABLE | DOCUMENT NO. SD-75198-001 | | | |
| | | 1 PLACE ± --- ± --- | | | | |
| | | 0 PLACE ± ± | | | | |
| | | ANGULAR ±1/2° | | | | |
| | | DRAFT WHERE APPLICABLE MUST REMAIN WITHIN DIMENSIONS | SIZE C | THIS DRAWING CONTAINS INFORMATION THAT IS PROPRIETARY TO MOLEX INCORPORATED AND SHOULD NOT BE USED WITHOUT WRITTEN PERMISSION | | |