



Chipsmall Limited consists of a professional team with an average of over 10 year of expertise in the distribution of electronic components. Based in Hongkong, we have already established firm and mutual-benefit business relationships with customers from,Europe,America and south Asia,supplying obsolete and hard-to-find components to meet their specific needs.

With the principle of “Quality Parts,Customers Priority,Honest Operation,and Considerate Service”,our business mainly focus on the distribution of electronic components. Line cards we deal with include Microchip,ALPS,ROHM,Xilinx,Pulse,ON,Everlight and Freescale. Main products comprise IC,Modules,Potentiometer,IC Socket,Relay,Connector.Our parts cover such applications as commercial,industrial, and automotives areas.

We are looking forward to setting up business relationship with you and hope to provide you with the best service and solution. Let us make a better world for our industry!



## Contact us

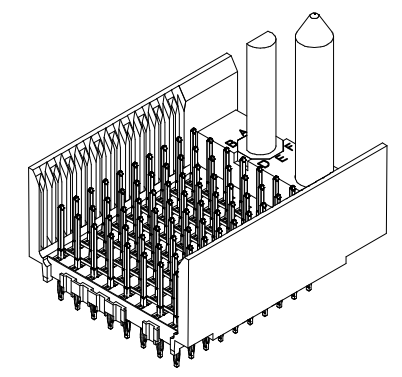
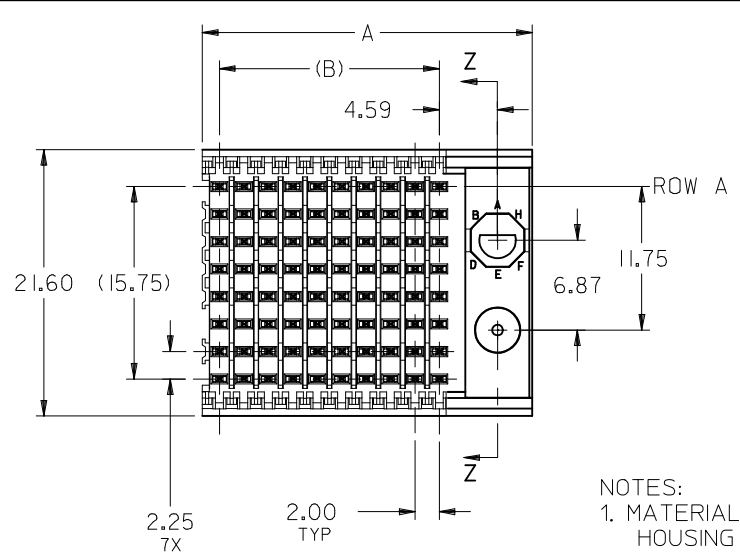
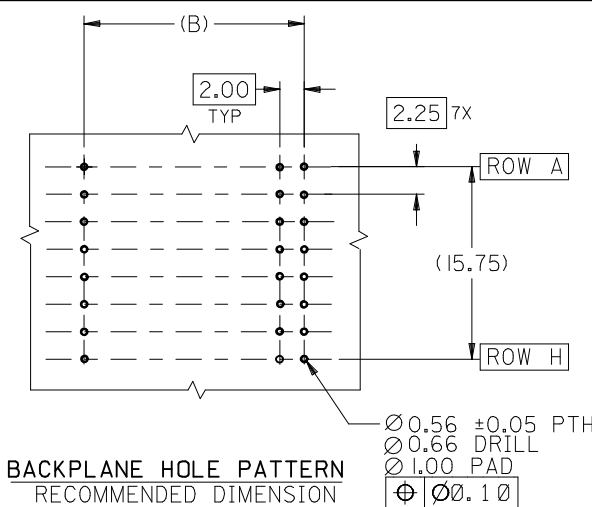
Tel: +86-755-8981 8866 Fax: +86-755-8427 6832

Email & Skype: info@chipsmall.com Web: www.chipsmall.com

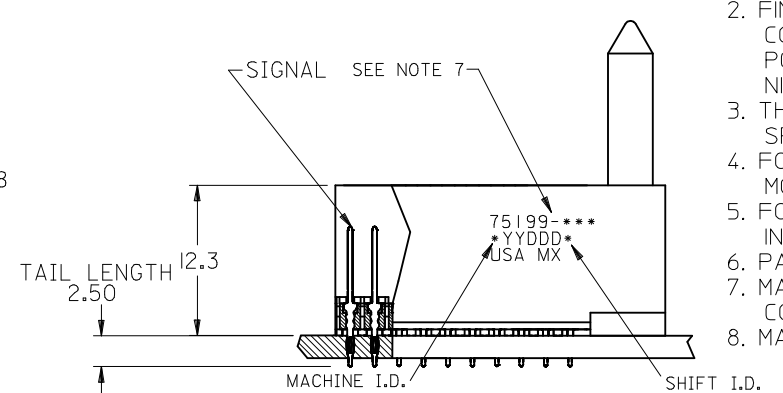
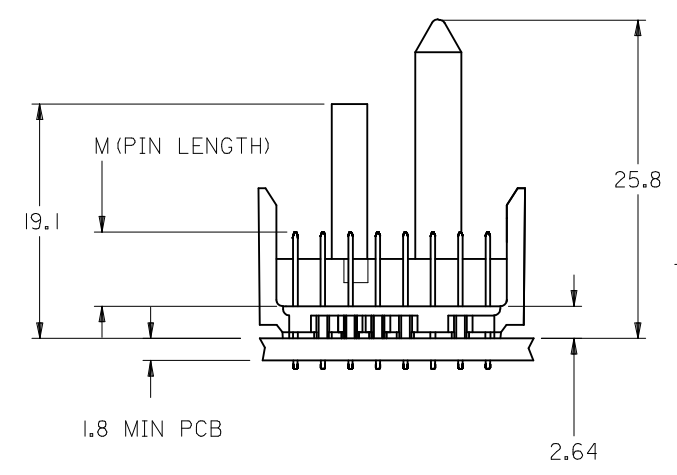
Address: A1208, Overseas Decoration Building, #122 Zhenhua RD., Futian, Shenzhen, China



10 9 8 7 6 5 4 3 2 1



- NOTES:
- MATERIALS:  
HOUSING - LIQUID CRYSTAL POLYMER (LCP),  
GLASS-FILLED, UL 94V-0, COLOR: BLACK  
SIGNAL PIN - COPPER ALLOY
  - FINISHES:  
CONTACT AREA: SELECTIVE GOLD (Au)  
PCB TAILS: SELECTIVE MATTE TIN (Sn)  
NICKEL (Ni) OVERALL.
  - THIS PART CONFORMS TO MOLEX PRODUCT SPECIFICATION PS-74031-999
  - FOR MIXED CONTACT LENGTHS CONSULT MOLEX FOR AVAILABILITY
  - FOR SPECIFIC MATERIAL NUMBERS & MATING INFORMATION REFER TO SHEET 2
  - PACKAGE PER PK-74061-003
  - MARK PART WITH PART NUMBER & DATE CODE APPROXIMATELY WHERE SHOWN
  - MAPS (MOLEX ADVANCED PLATING SYSTEM).

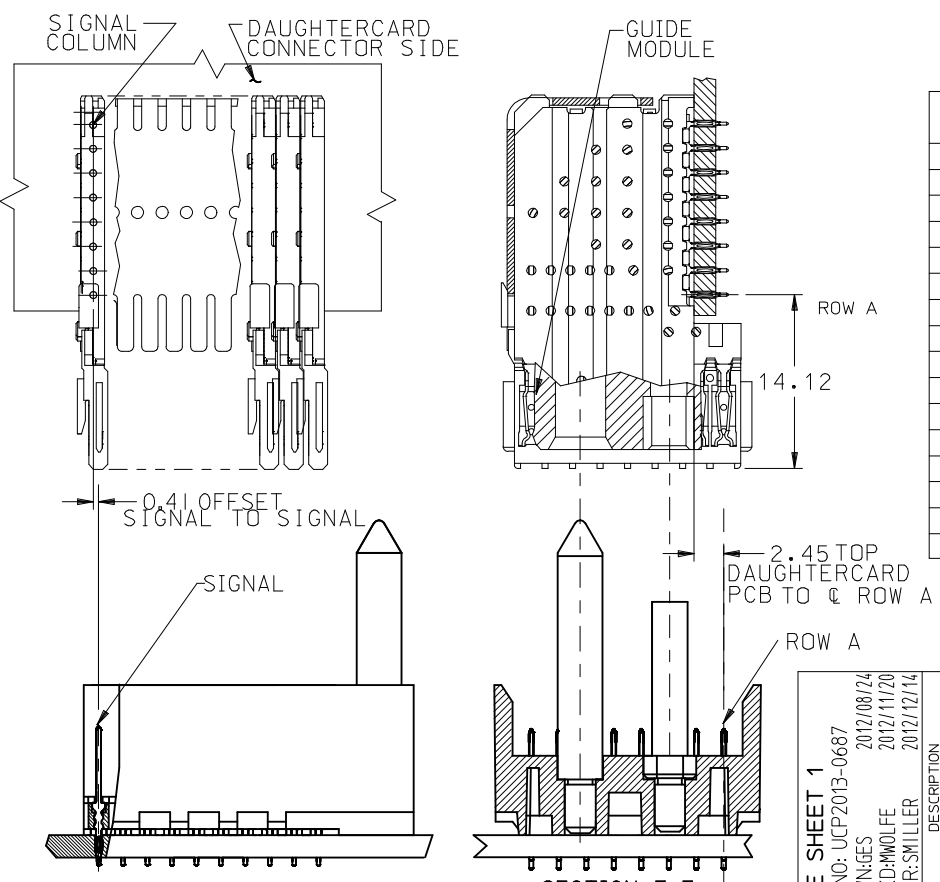
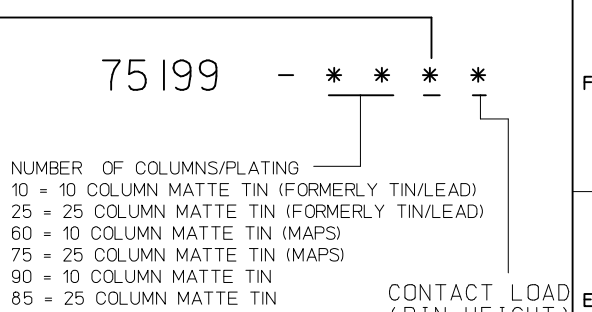
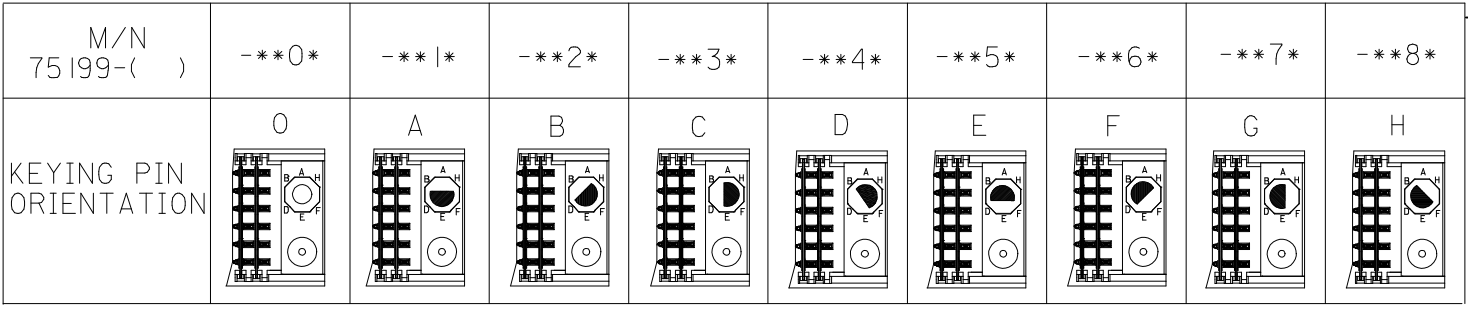


THE PRIMARY CARTON WITH A LABEL STATING "ELV AND RoHS COMPLAINT" IS LEAD FREE. CARTONS WITHOUT THIS LABEL MAY CONTAIN LEAD.

<b>LEAD FREE CONVERSION</b> EC NO: UCP2013-0687 DRAWINGS 2012/08/24 CHKD:MMOLFE 2012/11/20 APPR:SMILLER 2012/12/14 G	QUALITY SYMBOLS $\nabla F=0$ $\nabla F=0$ $\nabla F=0$	GENERAL TOLERANCES (UNLESS SPECIFIED) mm INCH 4 PLACES $\pm$ --- $\pm$ --- 3 PLACES $\pm$ --- $\pm$ --- 2 PLACES $\pm$ --- $\pm$ --- 1 PLACE $\pm$ --- $\pm$ --- 0 PLACE $\pm$ $\pm$	DIMENSION STYLE <b>MM ONLY</b> DRAWN BY DATE JMELTON 2010/05/19 CHECKED BY DATE SDANNELLEY 2010/05/19 APPROVED BY DATE SMILLER 2010/07/14	SCALE <b>2.5:1</b> DESIGN UNITS <b>METRIC</b> THIRD ANGLE PROJECTION	TITLE <b>VHDM LITE 8 ROW SHIELD END BACKPLANE SALES ASSEMBLY</b> <b>molex</b>	MATERIAL NO. <b>SEE SHT.2</b>	DOCUMENT NO. <b>SD-75199-001</b>	SHEET NO. <b>1 OF 2</b>	
		ANGULAR $\pm 1/2^\circ$ DRAFT WHERE APPLICABLE MUST REMAIN WITHIN DIMENSIONS	THIS DRAWING CONTAINS INFORMATION THAT IS PROPRIETARY TO MOLEX INCORPORATED AND SHOULD NOT BE USED WITHOUT WRITTEN PERMISSION						
		REV DESCRIPTION							

9 8 7 6 5 4 3 2 1

10 9 8 7 6 5 4 3 2 1



PART NUMBER	COLUMN	NUMBER OF SIGNAL PIN	NUMBER OF SHIELD	A	B	M	GOLD THICKNESS MICROMETER	TIN THICKNESS MICROMETER
75199-60*1	10	80	0	27.00	18.00	4.75	0.25 MAPS	0.76-152
75199-*0*1							0.76	
75199-75*1	25	200	0	57.00	48.00	6.25	0.25 MAPS	
75199-*5*1							0.76	
75199-60*2	10	80	0	27.00	18.00	6.25	0.25 MAPS	
75199-*0*2							0.76	
75199-75*2	25	200	0	57.00	48.00	4.25	0.25 MAPS	
75199-*5*2							0.76	
75199-60*3	10	80	0	27.00	18.00	5.15	0.25 MAPS	
75199-*0*3							0.76	
75199-75*3	25	200	0	57.00	48.00	5.15	0.25 MAPS	
75199-*5*3							0.76	
75199-60*4	10	80	0	27.00	18.00	5.15	0.25 MAPS	
75199-*0*4							0.76	
75199-75*4	25	200	0	57.00	48.00	5.15	0.25 MAPS	
75199-*5*4							0.76	

SEE SHEET 1 EC NO: UCP2013-0687 DRWNGES 2012/08/24 CHKD:MMOLFE 2012/11/20 APPR:SMILLER 2012/12/14 G	QUALITY SYMBOLS $\nabla$ F=0 $\nabla$ E=0 $\nabla$ F=0	GENERAL TOLERANCES (UNLESS SPECIFIED) mm INCH 4 PLACES $\pm$ --- $\pm$ --- 3 PLACES $\pm$ --- $\pm$ --- 2 PLACES $\pm$ --- $\pm$ --- 1 PLACE $\pm$ --- $\pm$ --- 0 PLACE $\pm$ $\pm$	DIMENSION STYLE MM ONLY DRAWN BY DATE JMELTON 2010/05/19 CHECKED BY DATE SDANNELLEY 2010/05/19 APPROVED BY DATE SMILLER 2010/07/14	SCALE 2.5:1 DESIGN UNITS METRIC THIRD ANGLE PROJECTION	TITLE VHDM LITE 8 ROW SHIELD END BACKPLANE SALES ASSEMBLY <b>molex</b>
	ANGULAR $\pm 1/2^\circ$ DRAFT WHERE APPLICABLE MUST REMAIN WITHIN DIMENSIONS	MATERIAL NO. SEE TABLE	DOCUMENT NO. SD-75199-001	SHEET NO. 2 OF 2	
	THIS DRAWING CONTAINS INFORMATION THAT IS PROPRIETARY TO MOLEX INCORPORATED AND SHOULD NOT BE USED WITHOUT WRITTEN PERMISSION				
	SIZE B				