



Chipsmall Limited consists of a professional team with an average of over 10 year of expertise in the distribution of electronic components. Based in Hongkong, we have already established firm and mutual-benefit business relationships with customers from,Europe,America and south Asia,supplying obsolete and hard-to-find components to meet their specific needs.

With the principle of “Quality Parts,Customers Priority,Honest Operation,and Considerate Service”,our business mainly focus on the distribution of electronic components. Line cards we deal with include Microchip,ALPS,ROHM,Xilinx,Pulse,ON,Everlight and Freescale. Main products comprise IC,Modules,Potentiometer,IC Socket,Relay,Connector.Our parts cover such applications as commercial,industrial, and automotives areas.

We are looking forward to setting up business relationship with you and hope to provide you with the best service and solution. Let us make a better world for our industry!



Contact us

Tel: +86-755-8981 8866 Fax: +86-755-8427 6832

Email & Skype: info@chipsmall.com Web: www.chipsmall.com

Address: A1208, Overseas Decoration Building, #122 Zhenhua RD., Futian, Shenzhen, China



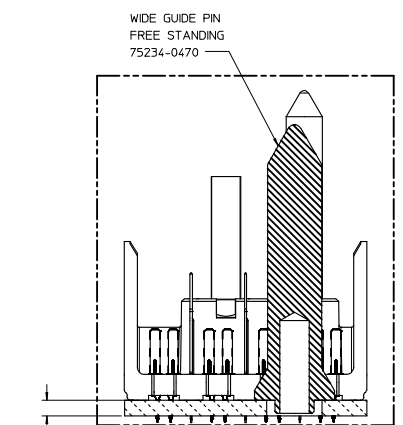
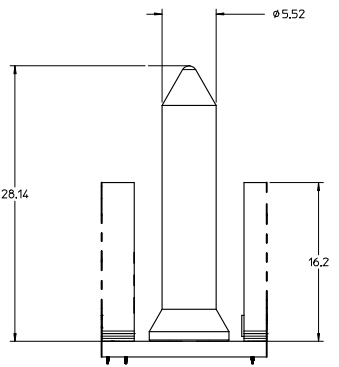
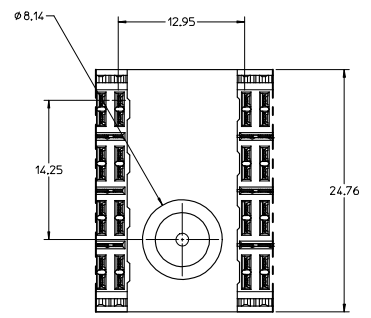
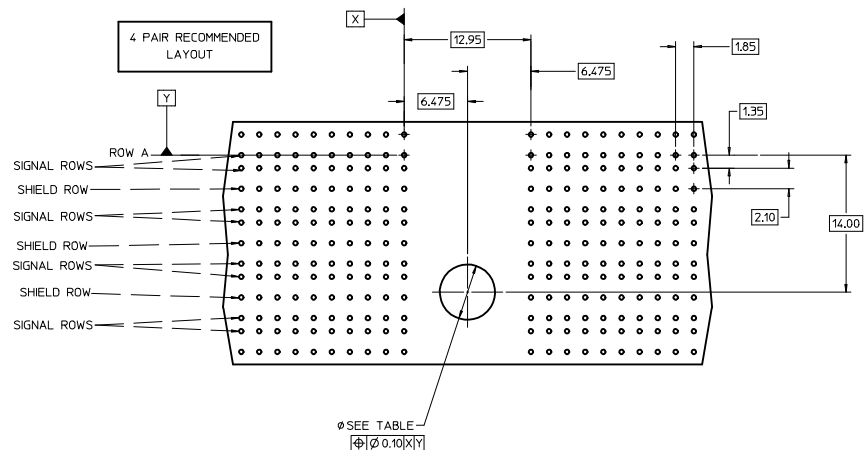
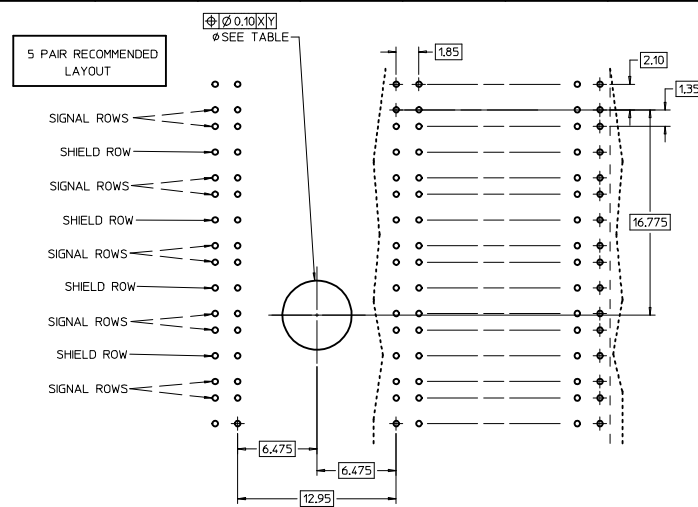
- NOTES:
 1. REFER TO BACKPLANE SALES DRAWINGS FOR ROW AND COLUMN ASSIGNMENTS.
 2. INSTALLATION TORQUE SPECIFICATIONS = 7.8 - 8.5 IN-LBS.
 3. PLATED THRU HOLE TO CONNECT TO CHASSIS FOR GROUNDED GUIDE MODULE OPTION.
 4. REFER TO PS-75221-999 FOR GBX PRODUCT SPECIFICATION.

TABLE #1 - HOLE SPECIFICATIONS

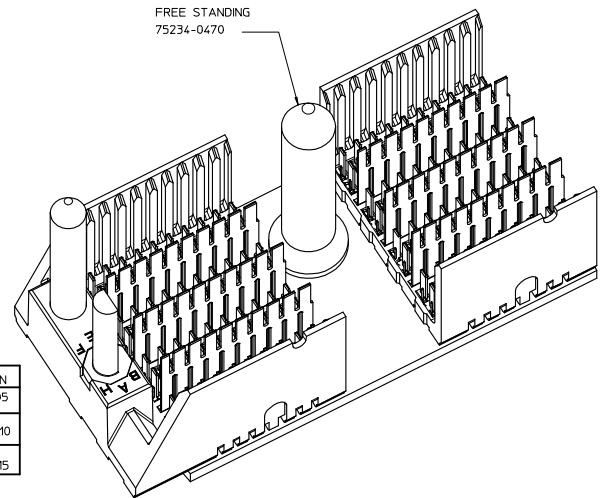
FINISHED HOLE SIZE	GROUNDING	UNGROUNDING
	Ø5.58-5.73	Ø5.58-5.73
PAD	Ø 8.5	N/A
PLATED	YES	NO
DRILL (mm)	5.79mm	5.61mm
DRILL (IN)	0.228"	0.221"

TABLE #2 - SCREW SPECIFICATIONS

SCREW P/N	DESCRIPTION	BOARD THICKNESS
73774-3005	#6-32 x 0.375" LONG SQUARE CONICAL MACHINE SCREW	1.6-4.0 mm
73774-3010	#6-32 x 0.500" LONG SQUARE CONICAL MACHINE SCREW	4.0-7.5 mm
73774-3015	#6-32 x 0.625" LONG SQUARE CONICAL MACHINE SCREW	7.5-10.0 mm



KIT P/N	BOARD THICKNESS	GUIDE PIN P/N	SCREW P/N
75234-1470	1.6 - 5.0mm	75234-0470	73774-3005
75234-2470	5.0-8.0 mm	75234-0470	73774-3010
75234-3470	8.0-10.0 mm	75234-0470	73774-3015



MINOR REVISION EC NO: UCP2007-3172 DRAWN: BINGHAM 2007/06/18 CHKD: 2007/06/18 APPR: SREED 2007/06/20 REV A2	QUALITY SYMBOLS -0 -0 DRAFT WHERE APPLICABLE MUST REMAIN WITHIN DIMENSIONS	GENERAL TOLERANCES (UNLESS SPECIFIED) .mm INCH		SCALE 4:1 DESIGN UNITS METRIC DIMENSION STYLE MM ONLY	THIRD ANGLE PROJECTION REVISE ON CAD ONLY		
		4 PLACES ±--- ±--- 3 PLACES ±--- ±--- 2 PLACES ±--- ±--- 1 PLACE ±--- ±--- ANGULAR ±---°	DRAWN BY NMARTIN CHECKED BY JLAURX APPROVED BY SREED	DATE 2004/08/04 DATE 2004/08/04 DATE 2004/08/04	TITLE GBX BACKPLANE WIDE GUIDE PIN FREE STANDING BOARD LAYOUT DRAWING	MATERIAL NO. SEE CHART DOCUMENT NO. SD-75234-110	SHEET NO. 1 OF 1
		THIS DRAWING CONTAINS INFORMATION THAT IS PROPRIETARY TO MOLEX INCORPORATED AND SHOULD NOT BE USED WITHOUT WRITTEN PERMISSION					
		MOLEX MOLEX INCORPORATED					