



Chipsmall Limited consists of a professional team with an average of over 10 year of expertise in the distribution of electronic components. Based in Hongkong, we have already established firm and mutual-benefit business relationships with customers from,Europe,America and south Asia,supplying obsolete and hard-to-find components to meet their specific needs.

With the principle of “Quality Parts,Customers Priority,Honest Operation,and Considerate Service”,our business mainly focus on the distribution of electronic components. Line cards we deal with include Microchip,ALPS,ROHM,Xilinx,Pulse,ON,Everlight and Freescale. Main products comprise IC,Modules,Potentiometer,IC Socket,Relay,Connector.Our parts cover such applications as commercial,industrial, and automotives areas.

We are looking forward to setting up business relationship with you and hope to provide you with the best service and solution. Let us make a better world for our industry!



Contact us

Tel: +86-755-8981 8866 Fax: +86-755-8427 6832

Email & Skype: info@chipsmall.com Web: www.chipsmall.com

Address: A1208, Overseas Decoration Building, #122 Zhenhua RD., Futian, Shenzhen, China



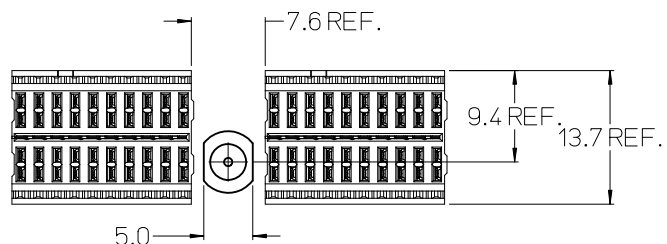
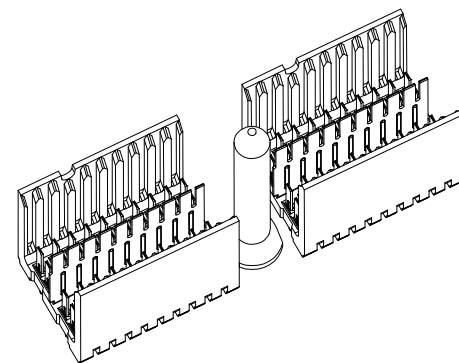
10 9 8 7 6 5 4 3 2 1

TABLE 2 - SCREW SPECIFICATIONS

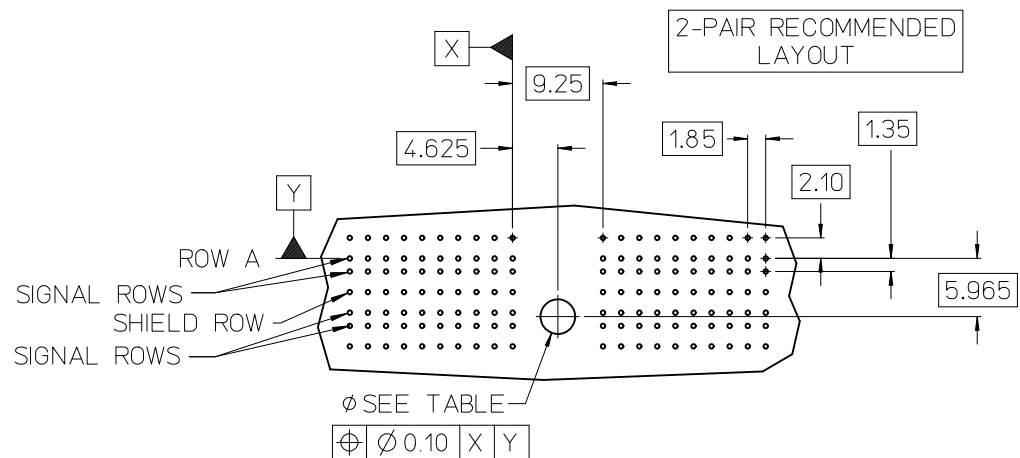
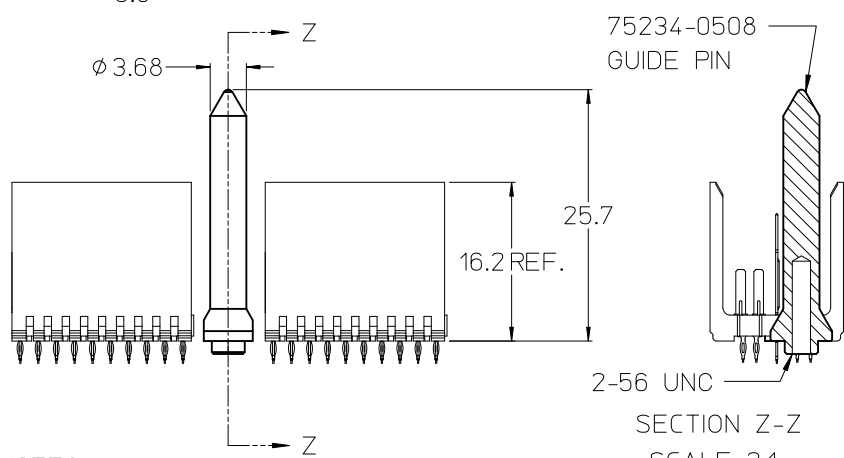
SCREW P/N	DESCRIPTION	BOARD THICKNESS
73774-1000	#2-56 X 0.375" LONG SQUARE CONICAL MACHINE SCREW	1.6-5.0mm
73774-1005	#2-56 X 0.500" LONG SQUARE CONICAL MACHINE SCREW	5.0-8.0mm

TABLE 1 - HOLE SPECIFICATIONS

FINISHED HOLE SIZE	GROUND	UNGROUND
	Ø3.48-3.63	Ø3.48-3.63
PAD	Ø6.5	N/A
PLATED	YES	NO
DRILL (mm)	Ø3.66	---
DRILL (in)	Ø0.144	---



KIT P/N	BOARD THICKNESS	GUIDE PIN P/N	SCREW P/N
75234-1508	1.6 - 5.0mm	75234-0508	73774-1000
75234-2508	5.0 - 8.0mm	75234-0508	73774-1005

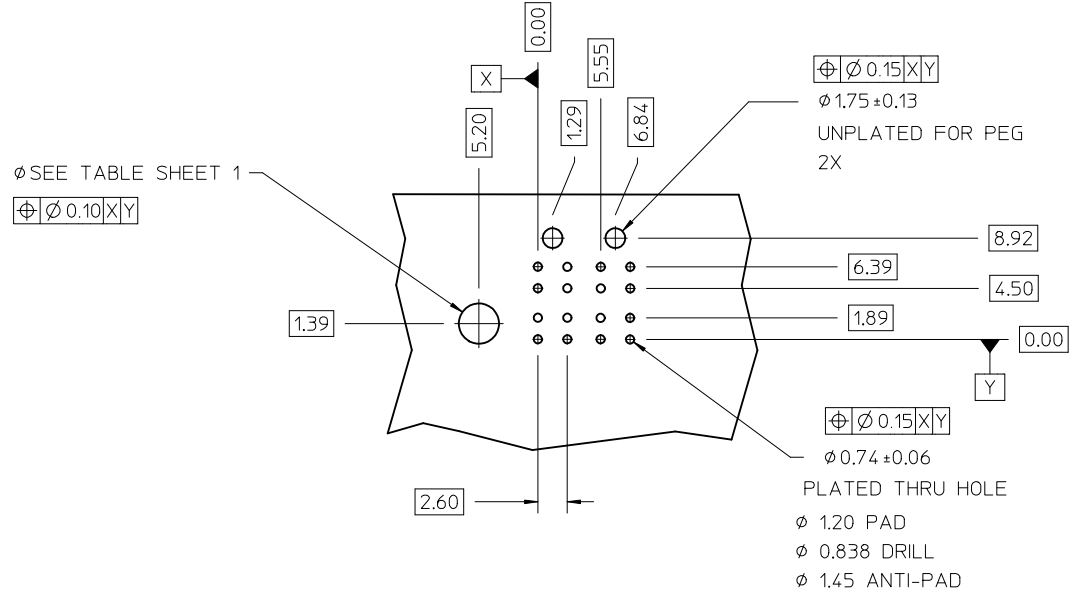
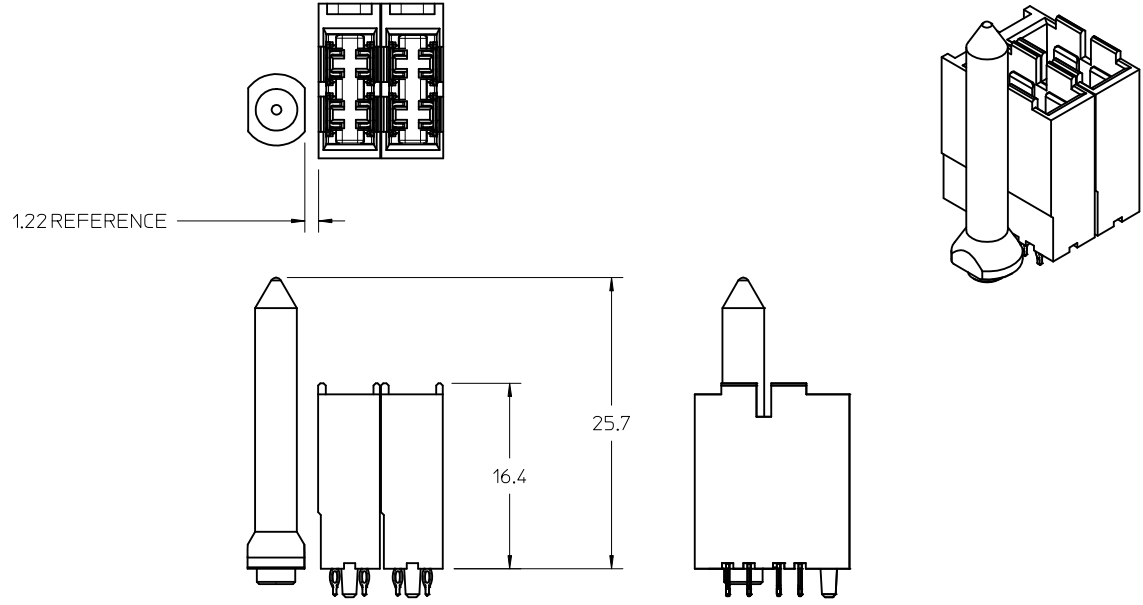


- NOTES:
- REFER TO BACKPLANE SALES DRAWINGS FOR ROW AND COLUMN ASSIGNMENTS.
 - INSTALLATION TORQUE SPECIFICATIONS: 2.5-3.0 INCH-POUNDS.
 - PLATED THRU HOLE TO CONNECT TO CHASSIS FOR GROUNDED GUIDE MODULE OPTION.
 - REFER TO PRODUCT SPECIFICATION PS-75221-999 FOR ADDITIONAL DETAILS.
 - MINIMUM BOARD THICKNESS: 1.60

ADD SHEET 2 EC NO: UCP2011-1264 DRWN: SDANNELLEY 2010/11/01 CHKD: JMELTON 2010/11/01 APPR: SMILLER 2010/11/23	QUALITY SYMBOLS ▽=0 ▽=0 ▽=0	GENERAL TOLERANCES (UNLESS SPECIFIED)		DIMENSION STYLE MM ONLY		SCALE ---	DESIGN UNITS METRIC	THIRD ANGLE PROJECTION	
		4 PLACES ± --- ± ---	mm	INCH	DRAWN BY	DATE	TITLE GBX 2-PAIR BACKPLANE FREE-STANDING GUIDE PIN BOARD LAYOUT DRAWING		
		3 PLACES ± --- ± ---			JB INGHAM	2005/11/22			
		2 PLACES ± --- ± ---			CHECKED BY	DATE	MOLEX INCORPORATED		
1 PLACE ± --- ± ---			KMULVEY	2005/11/22					
ANGULAR ± --- °				APPROVED BY	DATE	MOLEX INCORPORATED		SHEET NO. 1 OF 2	
				SMILLER	2010/11/23				
DRAFT WHERE APPLICABLE MUST REMAIN WITHIN DIMENSIONS				MATERIAL NO. SEE TABLE		DOCUMENT NO. SD-75234-120			
				SIZE B		THIS DRAWING CONTAINS INFORMATION THAT IS PROPRIETARY TO MOLEX INCORPORATED AND SHOULD NOT BE USED WITHOUT WRITTEN PERMISSION			

9 8 7 6 5 4 3 2 1

FREE-STANDING GUIDE PIN USED IN CONJUNCTION WITH GBX BP POWERS 75492 SERIES. SEE SHEET 1 FOR PART SPECIFICATIONS.



SEE SHEET 1 EC NO: UCP2011-1264 DRWNS:DANIELLY 2010/11/01 CHKD:J.MELTON 2010/11/01 APPR:SMILLER 2010/11/23	QUALITY SYMBOLS ▽=0 ▽=0 ▽=0	GENERAL TOLERANCES (UNLESS SPECIFIED) <table border="1"> <thead> <tr> <th></th> <th>mm</th> <th>INCH</th> </tr> </thead> <tbody> <tr> <td>4 PLACES</td> <td>±---</td> <td>±---</td> </tr> <tr> <td>3 PLACES</td> <td>±---</td> <td>±---</td> </tr> <tr> <td>2 PLACES</td> <td>±---</td> <td>±---</td> </tr> <tr> <td>1 PLACE</td> <td>±---</td> <td>±---</td> </tr> </tbody> </table>		mm	INCH	4 PLACES	±---	±---	3 PLACES	±---	±---	2 PLACES	±---	±---	1 PLACE	±---	±---	DIMENSION STYLE MM ONLY DRAWN BY DATE JB INGHAM 2005/11/22 CHECKED BY DATE KMULVEY 2005/11/22 APPROVED BY DATE SMILLER 2010/11/23	SCALE --- DESIGN UNITS METRIC THIRD ANGLE PROJECTION	TITLE GBX 2-PAIR BACKPLANE FREE-STANDING GUIDE PIN BOARD LAYOUT DRAWING
		mm	INCH																	
	4 PLACES	±---	±---																	
	3 PLACES	±---	±---																	
2 PLACES	±---	±---																		
1 PLACE	±---	±---																		
MATERIAL NO. SEE TABLE	DOCUMENT NO. SD-75234-120	SHEET NO. 2 OF 2																		
DRAFT WHERE APPLICABLE MUST REMAIN WITHIN DIMENSIONS	SIZE C	THIS DRAWING CONTAINS INFORMATION THAT IS PROPRIETARY TO MOLEX INCORPORATED AND SHOULD NOT BE USED WITHOUT WRITTEN PERMISSION																		
REV B																				