



Chipsmall Limited consists of a professional team with an average of over 10 year of expertise in the distribution of electronic components. Based in Hongkong, we have already established firm and mutual-benefit business relationships with customers from,Europe,America and south Asia,supplying obsolete and hard-to-find components to meet their specific needs.

With the principle of “Quality Parts,Customers Priority,Honest Operation,and Considerate Service”,our business mainly focus on the distribution of electronic components. Line cards we deal with include Microchip,ALPS,ROHM,Xilinx,Pulse,ON,Everlight and Freescale. Main products comprise IC,Modules,Potentiometer,IC Socket,Relay,Connector.Our parts cover such applications as commercial,industrial, and automotives areas.

We are looking forward to setting up business relationship with you and hope to provide you with the best service and solution. Let us make a better world for our industry!



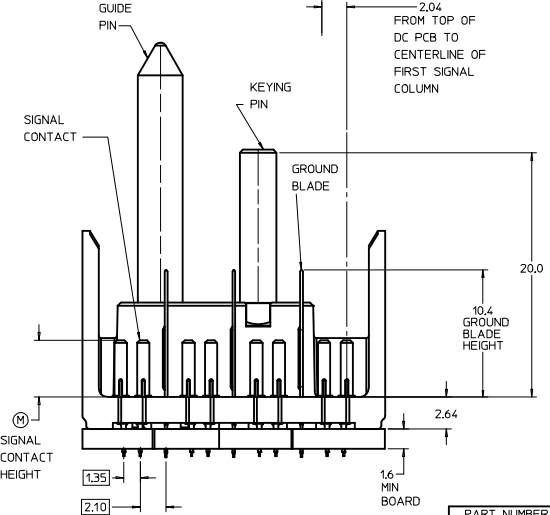
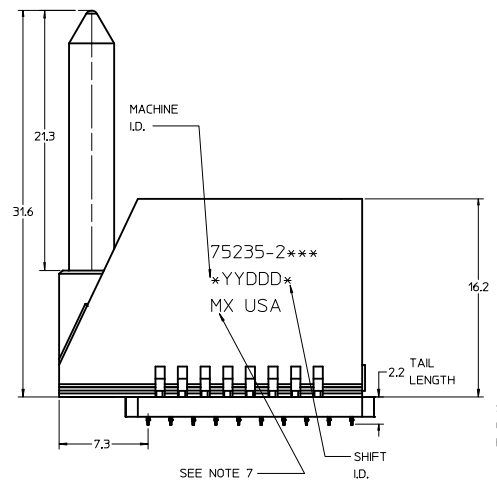
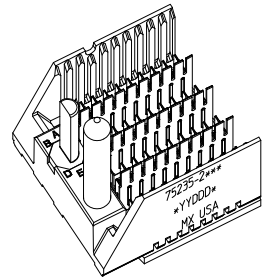
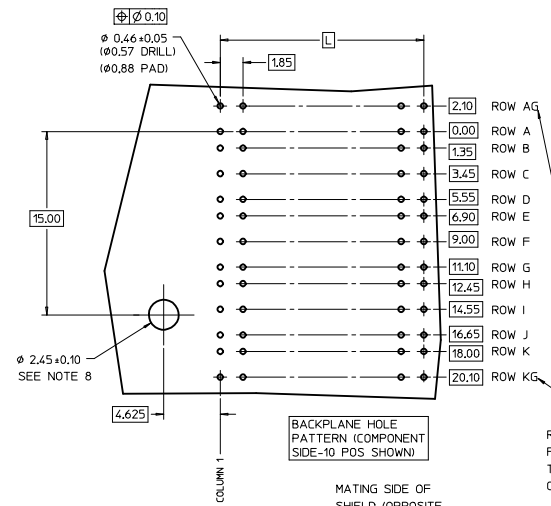
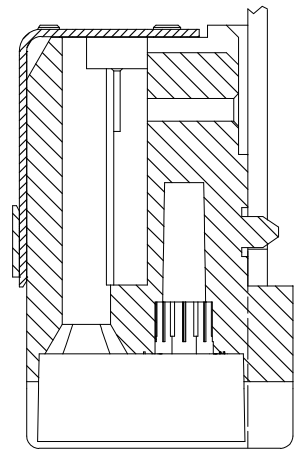
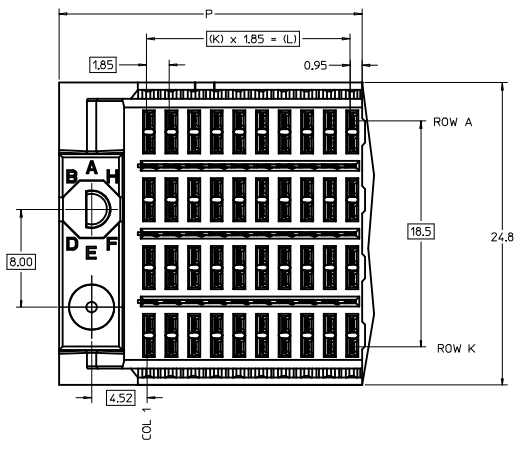
Contact us

Tel: +86-755-8981 8866 Fax: +86-755-8427 6832

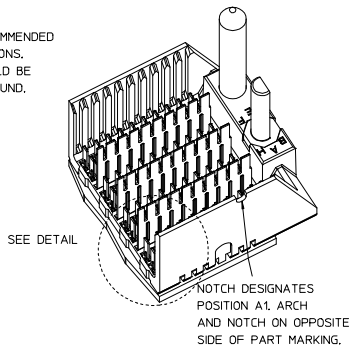
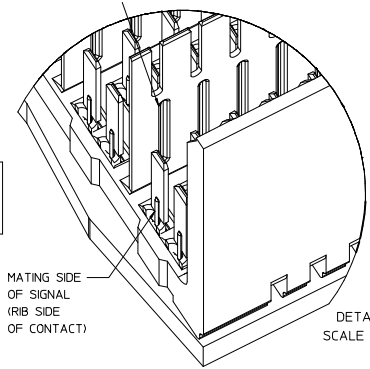
Email & Skype: info@chipsmall.com Web: www.chipsmall.com

Address: A1208, Overseas Decoration Building, #122 Zhenhua RD., Futian, Shenzhen, China





LEAD-FREE PLATING



THE PRIMARY CARTON WITH A LABEL STATING "ELV AND RoHS COMPLIANT" IS LEAD-FREE. CARTONS WITHOUT THIS LABEL MAY CONTAIN LEAD.

- NOTES:
1. MATERIAL: HOUSING - LIQUID CRYSTAL POLYMER (LCP) GLASS-FILLED. UL 94V-0. COLOR - GRAY. SIGNAL CONTACT AND GROUND BLADE - HIGH PERFORMANCE COPPER ALLOY.
 2. FINISHES: SELECTIVE GOLD (Au) ON CONTACT AREA, SELECTIVE MATTE TIN (Sn) ON PCB TAILS, NICKEL (Ni) OVERALL.
 3. THIS PART CONFORMS TO MOLEX PRODUCT SPECIFICATION PS-75221-999.
 4. FOR MIXED CONTACT MATING LENGTHS CONSULT MOLEX FOR AVAILABILITY. CONTACT PAIRS MUST BE THE SAME LENGTH.
 5. FOR SPECIFIC PART NUMBER AND MATING INFORMATION PLEASE REFER TO CHART.
 6. PACKAGE PER PK-70873-563.
 7. MARK PART NUMBER AND DATE CODE APPROXIMATELY WHERE SHOWN.
 8. OPTIONAL HOLE LOCATION FOR GROUNDED GUIDE PIN OR ADDITIONAL GUIDE PIN SUPPORT. FOR GROUNDED GUIDE PIN, HOLE TO BE PLATED, DRILL SIZE #258. PAD SIZE #550.
 9. THESE PARTS CONFORM TO MOLEX COSMETIC SPECIFICATION PS-45499-002 CLASS B.
 10. MAPS (MOLEX ADVANCED PLATING SYSTEM).

ASSY PART NO.	K	L	P	TOTAL NO. OF DIFFERENTIAL PAIRS
75235-21**	9	16.65	24.78	40
75235-22**	24	44.40	52.53	100

P/N	---0*	---1*	---2*	---3*	---4*	---5*	---6*	---7*	---8*
75235-()	0	A	B	C	D	E	F	G	H

PIN LENGTH DIM 'M'	GOLD (Au) THICKNESS micrometers
0-3.55 mm	0.25 (MAPS)
1-4.55 mm	
2-5.55 mm	
3-5.55 mm	
4-4.55 mm	0.76
5-5.55 mm	
7-3.55 mm	
8-4.55 mm	1.27
9-5.55 mm	

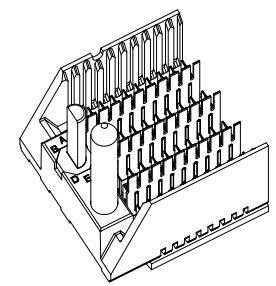
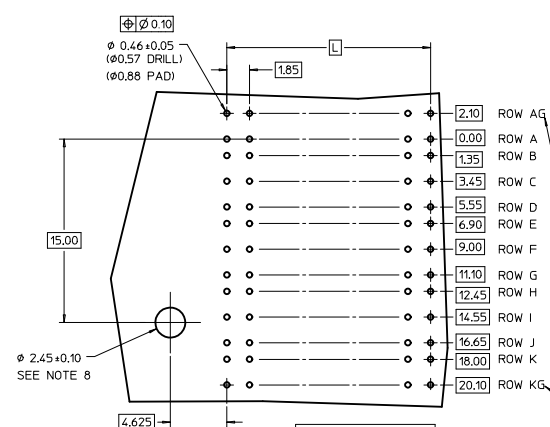
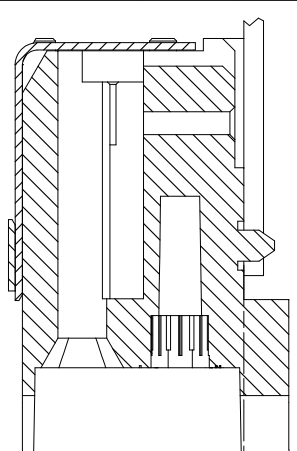
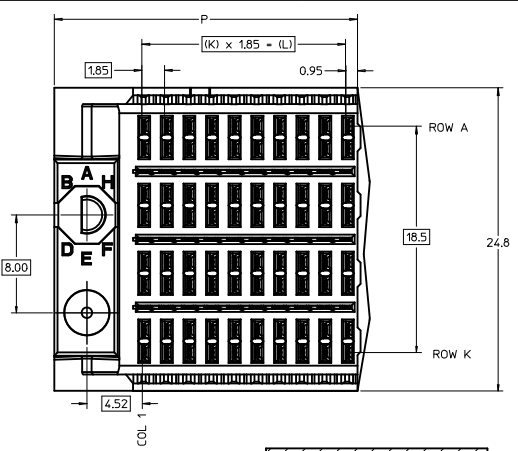
REV TO LEADFREE
 EC NO: UCP2013-1905
 2012/09/07
 DRW:MMOLEE
 CHK:SWANG
 2012/09/07
 APPR:SMILLER
 2012/12/05
 DESCRIPTION

QUALITY SYMBOLS	GENERAL TOLERANCES (UNLESS SPECIFIED)	DIMENSION STYLE	SCALE	DESIGN UNITS	THIRD ANGLE PROJECTION
▽=0	4 PLACES ±--- INCH	MM ONLY	5:1	METRIC	THIRD ANGLE PROJECTION
▽=0	3 PLACES ±--- INCH	DRAWN BY	DATE	TITLE	
▽=0	2 PLACES ±0.25 INCH	CHECKED BY	DATE		
	1 PLACE ±0.38 INCH	APPROVED BY	DATE		
	0 PLACE ± INCH	CBI XLER	2003/10/22		
	ANGULAR ±---	MATERIAL NO.	DOCUMENT NO.		
	DRAFT WHERE APPLICABLE MUST REMAIN WITHIN DIMENSIONS	SEE TABLE	SD-75235-210		

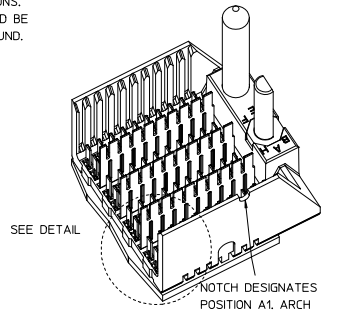
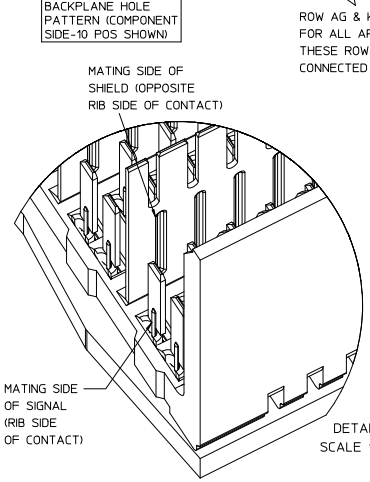
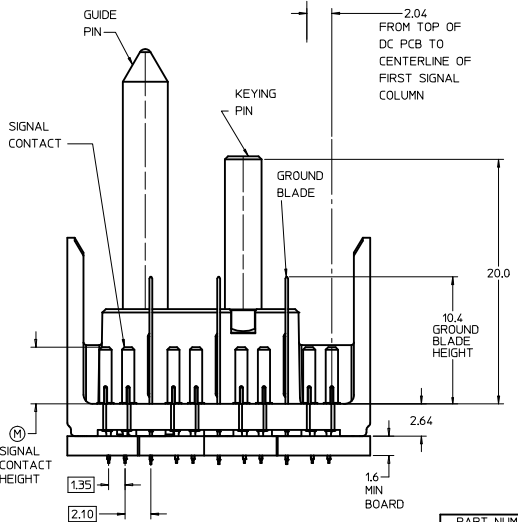
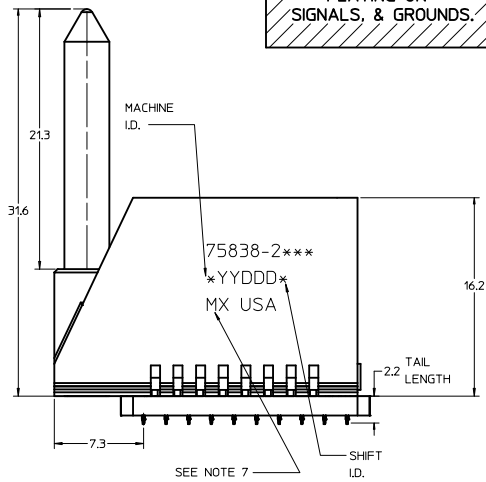
GBX 4-PAIR LF LEFT END BACKPLANE SALES ASSEMBLY

molex

SHEET NO. 1 OF 1



**LEAD-FREE
PLATING ON
SIGNALS, & GROUNDS.**



- NOTES:**
- MATERIAL: HOUSING - LIQUID CRYSTAL POLYMER (LCP) GLASS-FILLED. UL 94V-0, COLOR - GRAY. SIGNAL CONTACT AND GROUND BLADE - HIGH PERFORMANCE COPPER ALLOY.
 - FINISHES: SELECTIVE GOLD (Au) 0.25 (MAPS), 0.76, OR 1.27 micrometers THICKNESS ON CONTACT AREA. SELECTIVE MATTE TIN (Sn) ON PCB TAILS. NICKEL (Ni) OVERALL.
 - THIS PART CONFORMS TO MOLEX PRODUCT SPECIFICATION PS-75221-999.
 - FOR MIXED CONTACT MATING LENGTHS CONSULT MOLEX FOR AVAILABILITY. CONTACT PAIRS MUST BE THE SAME LENGTH.
 - FOR SPECIFIC PART NUMBER AND MATING INFORMATION PLEASE REFER TO CHART.
 - PACKAGE PER PK-70873-563.
 - EITHER MARK PART NUMBER AND DATE CODE APPROXIMATELY WHERE SHOWN OR PLACE A LABEL ON THE TUBE.
 - OPTIONAL HOLE LOCATION FOR GROUNDED GUIDE PIN OR ADDITIONAL GUIDE PIN SUPPORT. FOR GROUNDED GUIDE PIN, HOLE TO BE PLATED, DRILL SIZE $\phi 2.58$, PAD SIZE $\phi 5.50$
 - THESE PARTS CONFORM TO MOLEX COSMETIC SPECIFICATION PS-45499-02 CLASS B.

PART NUMBER TABLE				
ASSY PART NO.	K	L	P	TOTAL NO. OF DIFFERENTIAL PAIRS
75838-21**	9	16,65	24,78	40
75838-22**	24	44,40	52,53	100

P/N	--*0*	--*1*	--*2*	--*3*	--*4*	--*5*	--*6*	--*7*	--*8*
75838-()	0	A	B	C	D	E	F	G	H
KEYING PIN ORIENTATION									

MODULE ORIENTATION LEFT = 2

KEYING ORIENTATION
 0 = NONE
 1 = A
 2 = B
 ETC...

PIN LENGTH DIM "M"	GOLD (Au) THICKNESS micrometers
0-3.55 mm	0.25
1-4.55 mm	
2-5.55 mm	
3-3.55 mm	
4-4.55 mm	0.76
5-5.55 mm	
7-3.55 mm	
8-4.55 mm	
9-5.55 mm	1.27

ADD MAPS PLATING
 IEC NO: UCP2012-3688
 DRAWN: MWLF 2012/05/16
 CHECKED: CHYDANALLEY 2012/05/16
 APPROVED: MILLER 2012/05/23

QUALITY SYMBOLS
 $\nabla=0$
 $\nabla=0$
 $\nabla=0$

GENERAL TOLERANCES (UNLESS SPECIFIED)

	mm	INCH
4 PLACES ±	---	---
3 PLACES ±	---	---
2 PLACES ±	0.25	---
1 PLACE ±	0.38	---
0 PLACE ±	---	---

ANGULAR ± ---°
 DRAFT WHERE APPLICABLE MUST REMAIN WITHIN DIMENSIONS

DIMENSION STYLE
 MM ONLY

SCALE
 5:1

DESIGN UNITS
 METRIC

THIRD ANGLE PROJECTION

TITLE
 GBX 4-PAIR LEFT END BACKPLANE ASSEMBLY LEAD-FREE SALES DRAWING

moLEX

DOCUMENT NO.
 SD-75838-210

SHEET NO.
 1 OF 1