



Chipsmall Limited consists of a professional team with an average of over 10 year of expertise in the distribution of electronic components. Based in Hongkong, we have already established firm and mutual-benefit business relationships with customers from,Europe,America and south Asia,supplying obsolete and hard-to-find components to meet their specific needs.

With the principle of “Quality Parts,Customers Priority,Honest Operation,and Considerate Service”,our business mainly focus on the distribution of electronic components. Line cards we deal with include Microchip,ALPS,ROHM,Xilinx,Pulse,ON,Everlight and Freescale. Main products comprise IC,Modules,Potentiometer,IC Socket,Relay,Connector.Our parts cover such applications as commercial,industrial, and automotives areas.

We are looking forward to setting up business relationship with you and hope to provide you with the best service and solution. Let us make a better world for our industry!



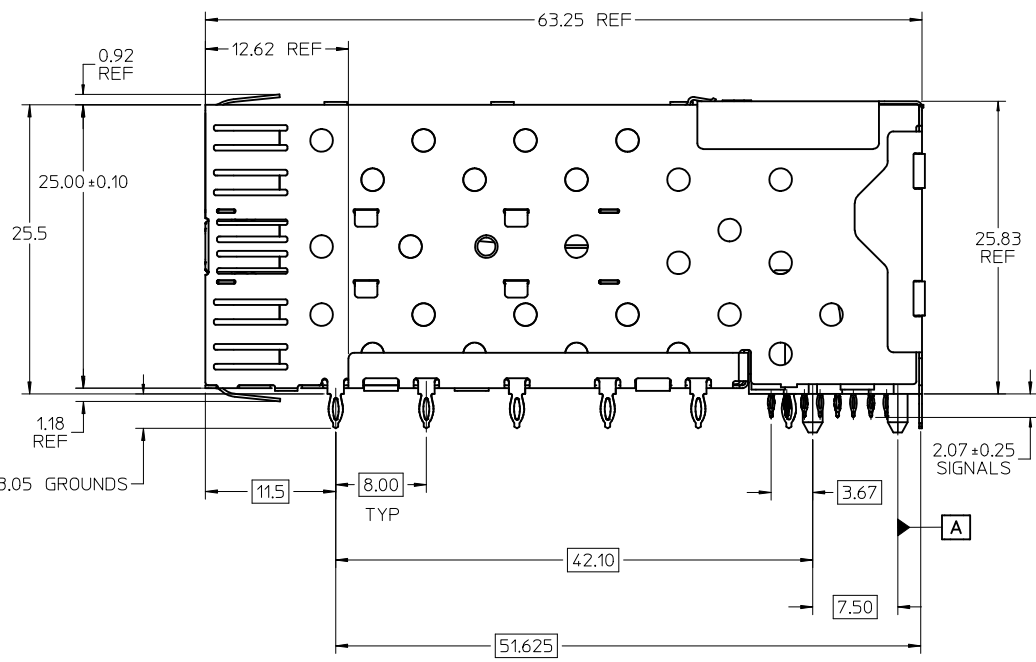
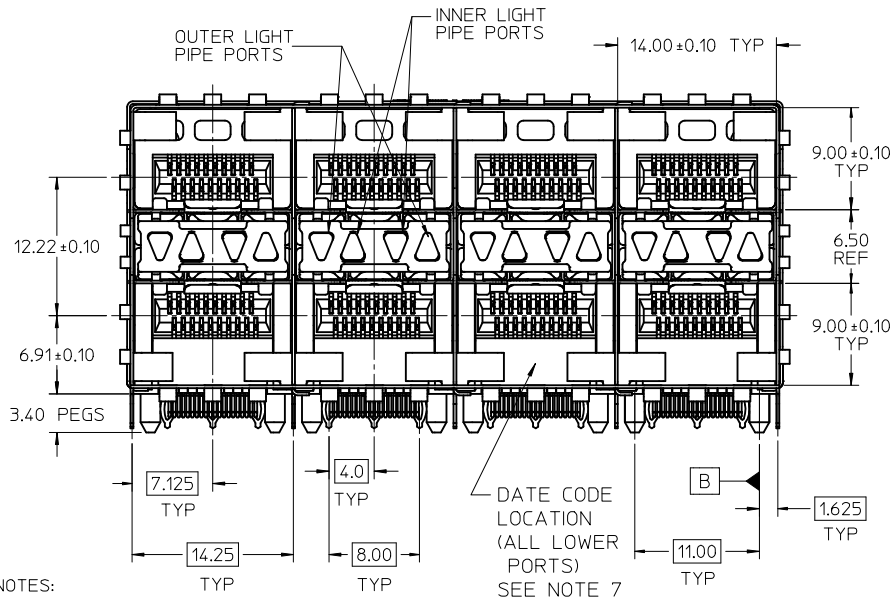
Contact us

Tel: +86-755-8981 8866 Fax: +86-755-8427 6832

Email & Skype: info@chipsmall.com Web: www.chipsmall.com

Address: A1208, Overseas Decoration Building, #122 Zhenhua RD., Futian, Shenzhen, China

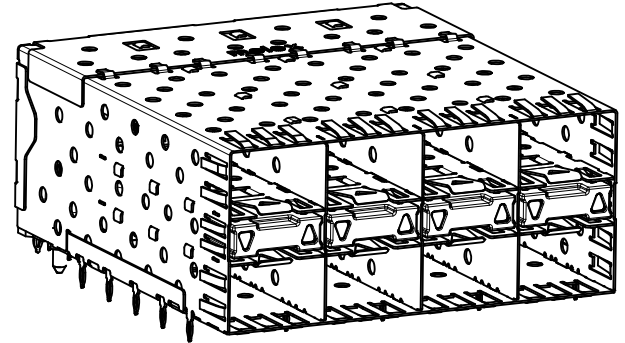
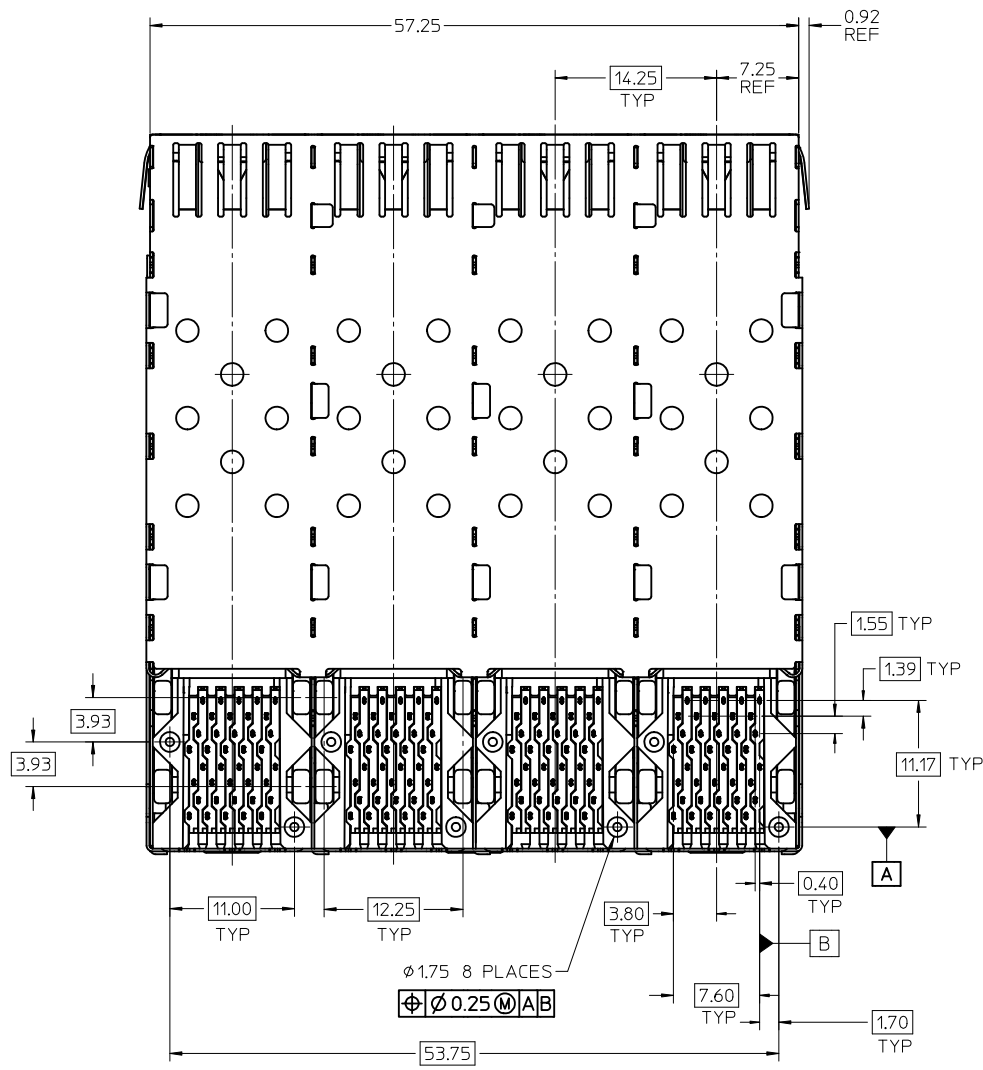




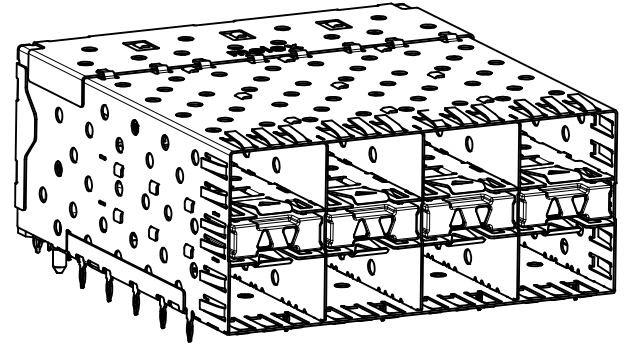
- NOTES:
- MATERIAL:
 - CAGE: NICKEL SILVER, THICKNESS: 0.25mm
 - CONNECTOR HOUSING: GLASS FILLED LIQUID CRYSTAL POLYMER (LCP), UL 94V-0, COLOR: BLACK
 - OVERMOLD TERMINAL HOUSING: GLASS FILLED LIQUID CRYSTAL POLYMER (LCP), UL 94V-0, COLOR: BLACK
 - TERMINALS: TIN BRASS
 - EMI GASKET: PHOS-BRONZE
 - LIGHTPIPE HOUSING: ZINC
 - LIGHTPIPES: POLYCARBONATE, COLOR: CLEAR
 - FINISHES:
 - CAGE ASSY (APPLIES TO VERSIONS WITH PLATED CAGES): 25 MICROMETERS MINIMUM MATTE NICKEL OVER 2 MICROMETERS MINIMUM COPPER.
 - TERMINALS: CONTACT AREA: 0.76 MICROMETERS MINIMUM HARD GOLD OVER 1.27 MICROMETERS MINIMUM NICKEL.
 - COMPLIANT TAIL - MATTE TIN/LEAD OPTION: 0.76 TO 1.52 MICROMETERS 90/10 MATTE TIN-LEAD OVER 0.76 MICROMETERS MINIMUM NICKEL.
 - COMPLIANT TAIL - MATTE TIN OPTION: 0.76 TO 1.52 MICROMETERS MATTE TIN OVER 0.76 MICROMETERS MINIMUM NICKEL.
 - LIGHT PIPE HOUSING: 80 MICROMETERS MINIMUM NICKEL OVER COPPER
 - EMI GASKET: 2.54 MICROMETERS MINIMUM NICKEL OVERALL
 - REFER TO PS-75310-001 PRODUCT SPEC FOR ALL ELECTRICAL, MECHANICAL, AND ENVIRONMENTAL SPECIFICATIONS.
 - LIGHTPIPE PAD LAYOUT IS FOR 0805 LOW-PROFILE LED PACKAGE, FOR OTHER RECOMMENDED LAYOUTS REFER TO MOLEX'S REPORT TS-75310-001.
 - REFER TO PK-75450-001 FOR ALL PACKAGING SPECIFICATIONS.
 - THE SURFACES CONFORM TO THE MOLEX COSMETIC SPEC PS-45499-002. ALL EXTERIOR SURFACES TO BE CLASS "B" SURFACE EXCEPT THE UNDERSIDE (CLASS "C") OF THE CAGE (SIDE TOWARD THE PCB) AND AS OTHERWISE NOTED.
 - DATE CODE LOCATION IS SHOWN ABOVE.
 - DATE CODE FORMAT: DDDY MX A1
 - DDD = DAY OF THE YEAR
 - Y = YEAR
 - MX = MOLEX
 - A = ALPHA CHARACTER - INDICATES MANUFACTURING LINE
 - 1 = NUMERIC CHARACTER - INDICATES PRODUCTION SHIFT
 - REFER TO AS-76090-001 FOR HIGH SPEED ROUTING RECOMMENDATIONS.

PART NUMBER	LIGHTPIPE CONFIGURATION (SEE VIEWS ON SHEET 2)	COMPLIANT TAIL PLATING	CAGE PLATING
754500001	ALL 4 PORTS	MATTE TIN-LEAD	NONE
754500002	INNER 2 PORTS	MATTE TIN-LEAD	NONE
754500003	OUTER 2 PORTS	MATTE TIN-LEAD	NONE
754501001	ALL 4 PORTS	MATTE TIN-LEAD	POST-PLATED
754505001	ALL 4 PORTS	MATTE TIN	NONE
754505002	INNER 2 PORTS	MATTE TIN	NONE
754505003	OUTER 2 PORTS	MATTE TIN	NONE
754505004	OUTER 2 PORTS - SPECIAL CONFIG	MATTE TIN	NONE

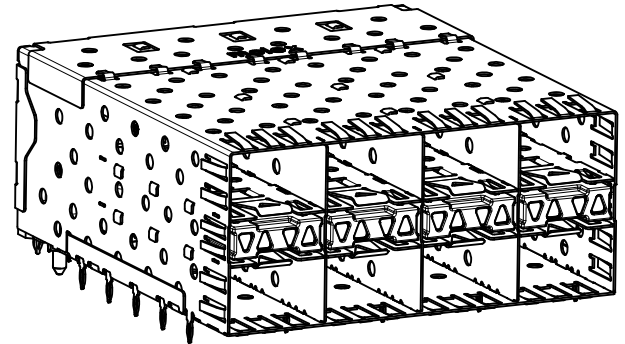
ADD 754505004 EC NO: UCP2011-2450 DRWN:BBARKER 2011/03/18 CHKD:MIIBARRA APPR:SMILLER 2011/11/09	QUALITY SYMBOLS	GENERAL TOLERANCES (UNLESS SPECIFIED)	DIMENSION STYLE MM ONLY	SCALE 3:1	DESIGN UNITS METRIC	THIRD ANGLE PROJECTION
	▽=0	4 PLACES ± --- ± ---	DRAWN BY DATE JLONG 08-04-2004	TITLE STACKED SFP 2X4 MEDIUM HEIGHT ASS'Y, PRESS-FIT TAILS WITH LIGHT PIPES		
	▽=0	3 PLACES ± --- ± ---	CHECKED BY DATE JLONG 08-06-2004	MOLEX MOLEX INCORPORATED		
	▽=0	2 PLACES ± 0.13 ± ---	APPROVED BY DATE RNELSON 02-15-2005	DOCUMENT NO. SD-75450-001		
		ANGULAR ± 5 °	MATERIAL NO. SEE TABLE	SHEET NO. 1 OF 5		
		DRAFT WHERE APPLICABLE MUST REMAIN WITHIN DIMENSIONS	SIZE C	THIS DRAWING CONTAINS INFORMATION THAT IS PROPRIETARY TO MOLEX INCORPORATED AND SHOULD NOT BE USED WITHOUT WRITTEN PERMISSION		



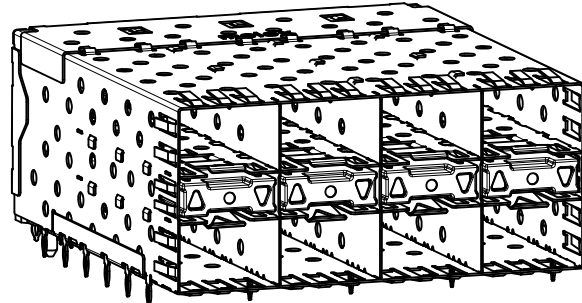
754500003 & 754505003
WITH OUTER LIGHT PIPES



754500002 & 754505002
WITH INNER LIGHT PIPES

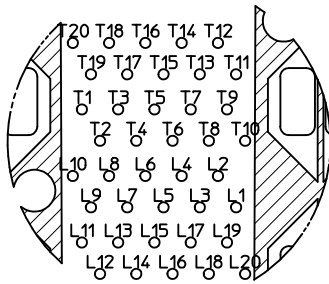


754500001, 754501001 & 754505001
WITH INNER/OUTER LIGHT PIPES

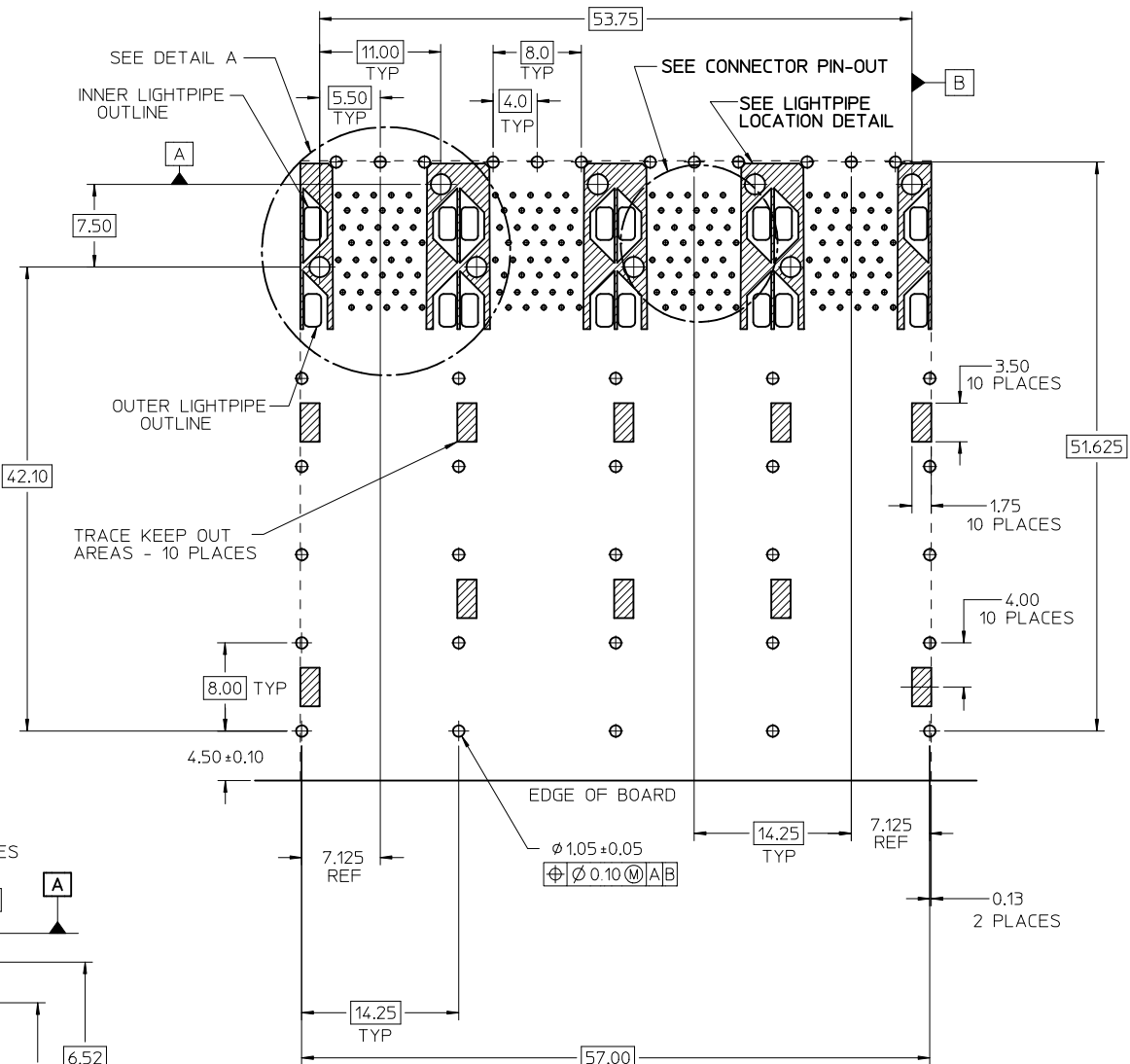


754505004
WITH OUTER LIGHTPIPES

SEE SHEET 1 IEC NO: UCP2011-2450 DRWN:BBARKER 2011/03/18 CHKD:MTBARRA APPR:SMILLER 2011/11/09	QUALITY SYMBOLS $\nabla = 0$ $\nabla = 0$ $\nabla = 0$	GENERAL TOLERANCES (UNLESS SPECIFIED) <table border="1"> <tr> <th></th> <th>mm</th> <th>INCH</th> </tr> <tr> <td>4 PLACES</td> <td>± 0.13</td> <td>± 0.005</td> </tr> <tr> <td>3 PLACES</td> <td>± 0.13</td> <td>± 0.005</td> </tr> <tr> <td>2 PLACES</td> <td>± 0.13</td> <td>± 0.005</td> </tr> <tr> <td>1 PLACE</td> <td>± 0.25</td> <td>± 0.010</td> </tr> </table>		mm	INCH	4 PLACES	± 0.13	± 0.005	3 PLACES	± 0.13	± 0.005	2 PLACES	± 0.13	± 0.005	1 PLACE	± 0.25	± 0.010	DIMENSION STYLE MM ONLY DRAWN BY DATE JLONG 08-04-2004 CHECKED BY DATE JLONG 08-06-2004 APPROVED BY DATE RNELSON 02-15-2005	SCALE 3:1 DESIGN UNITS METRIC THIRD ANGLE PROJECTION	TITLE STACKED SFP 2X4 MEDIUM HEIGHT ASS'Y, PRESS-FIT TAILS WITH LIGHT PIPES	MATERIAL NO. SEE SHEET 1 DOCUMENT NO. SD-75450-001	SHEET NO. 2 OF 5
		mm	INCH																			
4 PLACES	± 0.13	± 0.005																				
3 PLACES	± 0.13	± 0.005																				
2 PLACES	± 0.13	± 0.005																				
1 PLACE	± 0.25	± 0.010																				
DRAFT WHERE APPLICABLE MUST REMAIN WITHIN DIMENSIONS	THIS DRAWING CONTAINS INFORMATION THAT IS PROPRIETARY TO MOLEX INCORPORATED AND SHOULD NOT BE USED WITHOUT WRITTEN PERMISSION																					

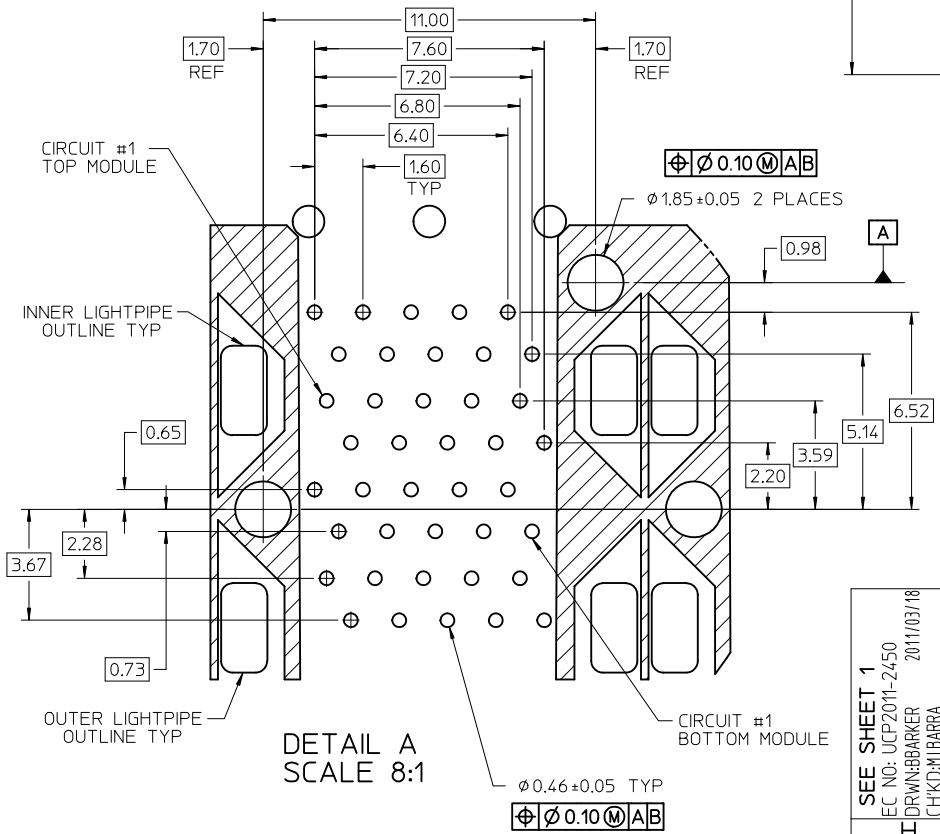


CONNECTOR PIN-OUT
SCALE 6:1



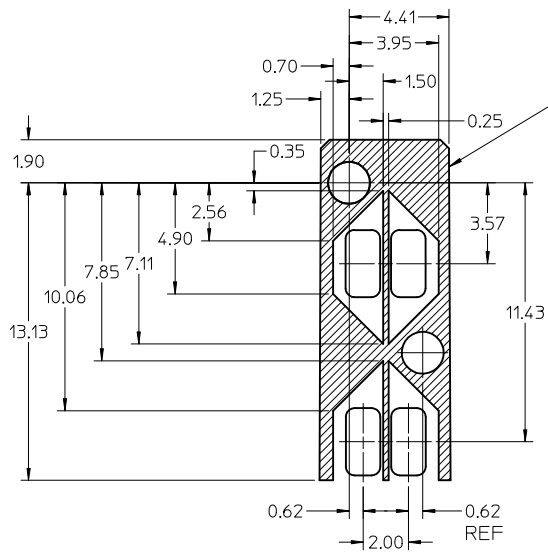
RECOMMENDED PCB LAYOUT - COMPONENT SIDE
RECOMMENDED PCB THICKNESS - 2.36 MM (.093 INCH)

THE ENTIRE AREA OF THE CONNECTOR FOOTPRINT
TO BE CONSIDERED THE KEEP OUT AREA FOR COMPONENTS
(OTHER THAN LIGHT PIPE LED'S).
THIS AREA IS INDICATED BY THE DASHED LINE



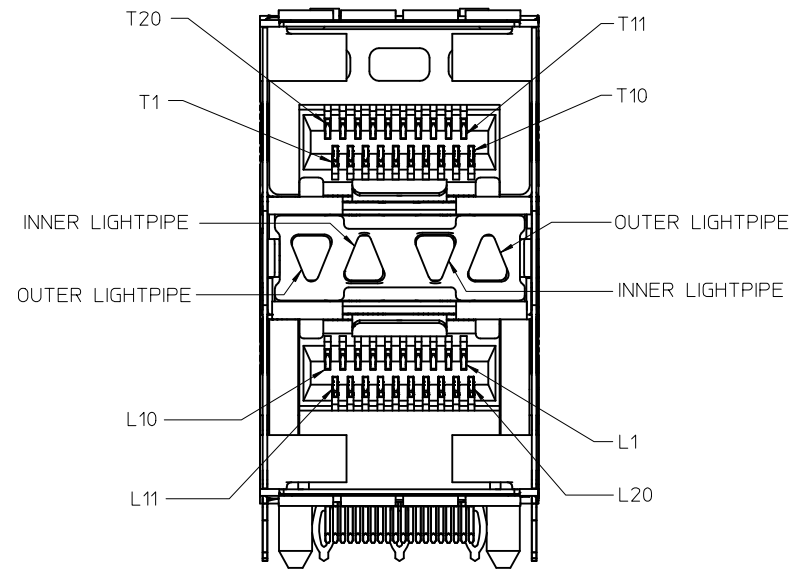
DETAIL A
SCALE 8:1

SEE SHEET 1 IEC NO: UCP2011-2450 DRWN:BBARKER 2011/03/18 CHKD:MIIBARRA APPR:SMILLER 2011/11/09	QUALITY SYMBOLS $\nabla=0$ $\nabla=0$ $\nabla=0$	GENERAL TOLERANCES (UNLESS SPECIFIED)		DIMENSION STYLE MM ONLY		SCALE 3:1	DESIGN UNITS METRIC	THIRD ANGLE PROJECTION	
		mm	INCH	DRAWN BY	DATE	TITLE	STACKED SFP 2X4 MEDIUM HEIGHT ASS'Y, PRESS-FIT TAILS WITH LIGHT PIPES MOLEX INCORPORATED		
4 PLACES ± ---	± ---	JLONG	08-04-2004	CHECKED BY	DATE	DOCUMENT NO. SD-75450-001			
3 PLACES ± ---	± ---	JLONG	08-06-2004	APPROVED BY	DATE	SHEET NO. 3 OF 5			
2 PLACES ± 0.13	± ---	RNELSON	02-15-2005	MATERIAL NO. SEE SHEET 1		THIS DRAWING CONTAINS INFORMATION THAT IS PROPRIETARY TO MOLEX INCORPORATED AND SHOULD NOT BE USED WITHOUT WRITTEN PERMISSION			
1 PLACE ± 0.25	± ---	ANGULAR ± 5 °							
DRAFT WHERE APPLICABLE MUST REMAIN WITHIN DIMENSIONS									



THE HATCHED AREA IN THIS VIEW INDICATES ZONES THAT ARE OCCUPIED BY THE PLASTIC HOUSING THAT SEATS AGAINST THE PCB AND BY THE VERTICAL METAL CAGE WALL THAT STOPS JUST SHORT OF THE PCB

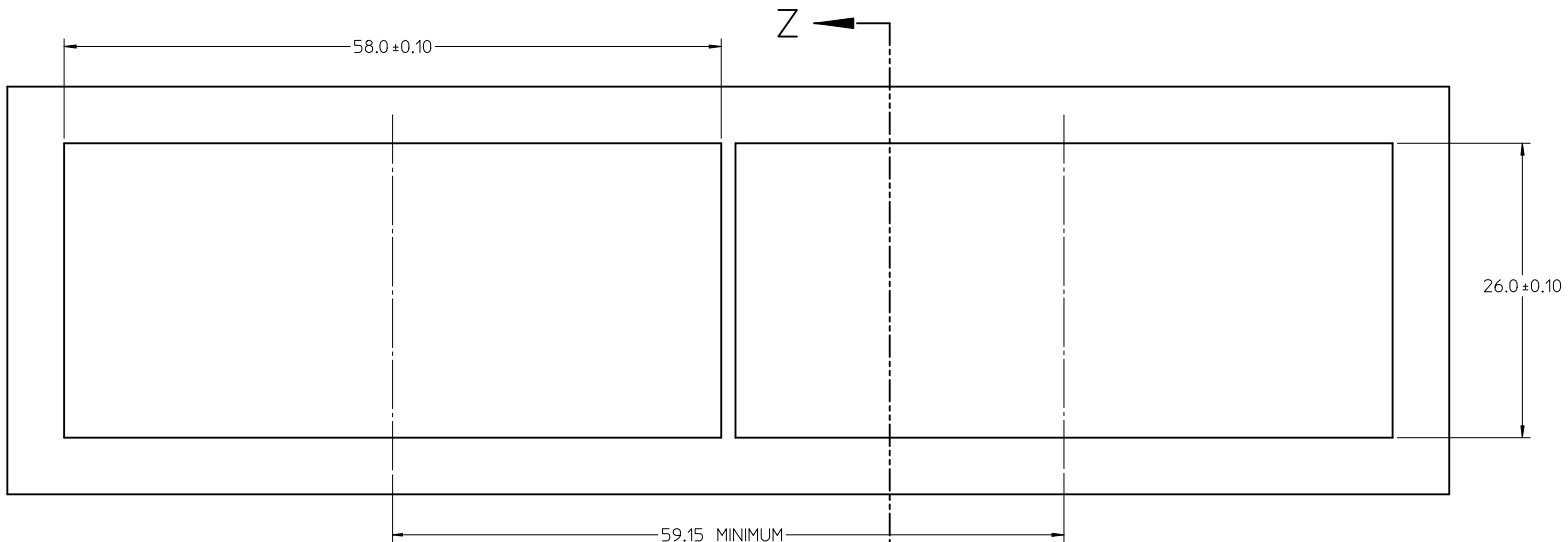
DETAIL - LIGHT PIPE LOCATION AND OTHER ZONES
SCALE 6:1



DETAIL B
SCALE 5:1
CIRCUIT NUMBERING
AND LIGHTPIPE
IDENTIFICATION

SEE SHEET 1 IEC NO: UCP2011-2450 DRAWN BY: DRWINBARKER 2011/03/18 CHECKED BY: CHXD:MIIBARRA APPR: SMILLER 2011/11/09	QUALITY SYMBOLS ▽=0 ▽=0 ▽=0	GENERAL TOLERANCES (UNLESS SPECIFIED)		DIMENSION STYLE	SCALE	DESIGN UNITS	THIRD ANGLE PROJECTION	
				MM ONLY	3:1	METRIC		
		mm	INCH	DRAWN BY	DATE	TITLE		
		4 PLACES ± ---	± ---	JLONG	08-04-2004	STACKED SFP 2X4 MEDIUM HEIGHT ASS'Y, PRESS-FIT TAILS WITH LIGHT PIPES		
3 PLACES ± ---	± ---	CHECKED BY	DATE	MATERIAL NO.			SHEET NO.	
2 PLACES ± 0.13	± ---	JLONG	08-06-2004	RNELSON			4 OF 5	
1 PLACE ± 0.25	± ---	APPROVED BY	DATE	DOCUMENT NO.				
ANGULAR ± 5 °		SEE SHEET 1		SD-75450-001				
DRAFT WHERE APPLICABLE MUST REMAIN WITHIN DIMENSIONS		SIZE		THIS DRAWING CONTAINS INFORMATION THAT IS PROPRIETARY TO MOLEX INCORPORATED AND SHOULD NOT BE USED WITHOUT WRITTEN PERMISSION				

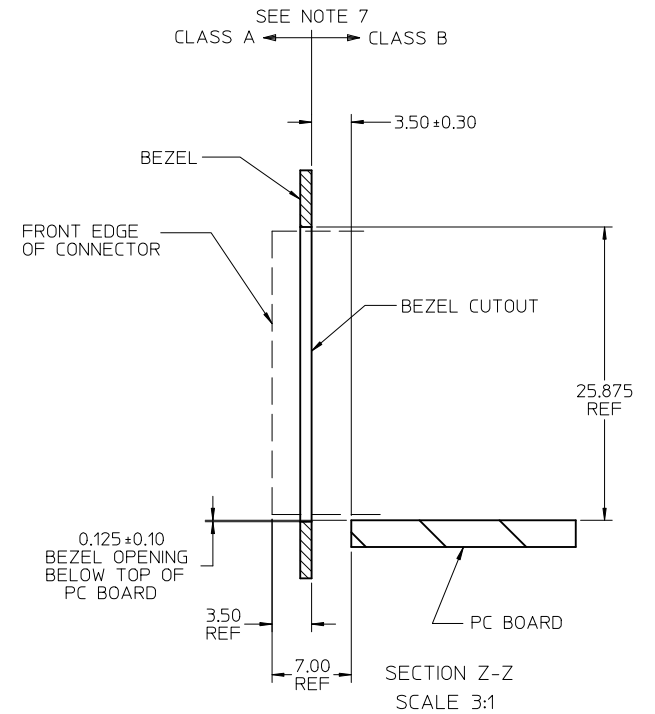
13 12 11 10 9 8 7 6 5 4 3 2 1



BEZEL CUTOUT CENTER SPACING DETAIL
BEZEL THICKNESS 0.8-2.6

59.15 MINIMUM

SEE NOTE 7
CLASS A CLASS B



SEE SHEET 1 EC NO: UCP2011-2450 DRWN:BBARKER 2011/03/18 CHKD:MIIBARRA APPR:SMILLER 2011/11/09	QUALITY SYMBOLS	GENERAL TOLERANCES (UNLESS SPECIFIED)		DIMENSION STYLE	SCALE	DESIGN UNITS	THIRD ANGLE PROJECTION
	▽=0	mm	INCH	MM ONLY	3:1	METRIC	☉
	▽=0	4 PLACES ± ---	± ---	DRAWN BY	DATE	TITLE	
	▽=0	3 PLACES ± ---	± ---	JLONG	08-04-2004	STACKED SFP 2X4 MEDIUM HEIGHT ASS'Y, PRESS-FIT TAILS WITH LIGHT PIPES	
		2 PLACES ± 0.13	± ---	CHECKED BY	DATE	MOLEX INCORPORATED	
		1 PLACE ± 0.25	± ---	JLONG	08-06-2004	SD-75450-001	
		ANGULAR ± 5 °		APPROVED BY	DATE	SHEET NO.	
		DRAFT WHERE APPLICABLE MUST REMAIN WITHIN DIMENSIONS		RNELSON	02-15-2005	5 OF 5	
				MATERIAL NO.	DOCUMENT NO.		
				SEE SHEET 1			
				SIZE	THIS DRAWING CONTAINS INFORMATION THAT IS PROPRIETARY TO MOLEX INCORPORATED AND SHOULD NOT BE USED WITHOUT WRITTEN PERMISSION		