



Chipsmall Limited consists of a professional team with an average of over 10 year of expertise in the distribution of electronic components. Based in Hongkong, we have already established firm and mutual-benefit business relationships with customers from,Europe,America and south Asia,supplying obsolete and hard-to-find components to meet their specific needs.

With the principle of “Quality Parts,Customers Priority,Honest Operation,and Considerate Service”,our business mainly focus on the distribution of electronic components. Line cards we deal with include Microchip,ALPS,ROHM,Xilinx,Pulse,ON,Everlight and Freescale. Main products comprise IC,Modules,Potentiometer,IC Socket,Relay,Connector.Our parts cover such applications as commercial,industrial, and automotives areas.

We are looking forward to setting up business relationship with you and hope to provide you with the best service and solution. Let us make a better world for our industry!



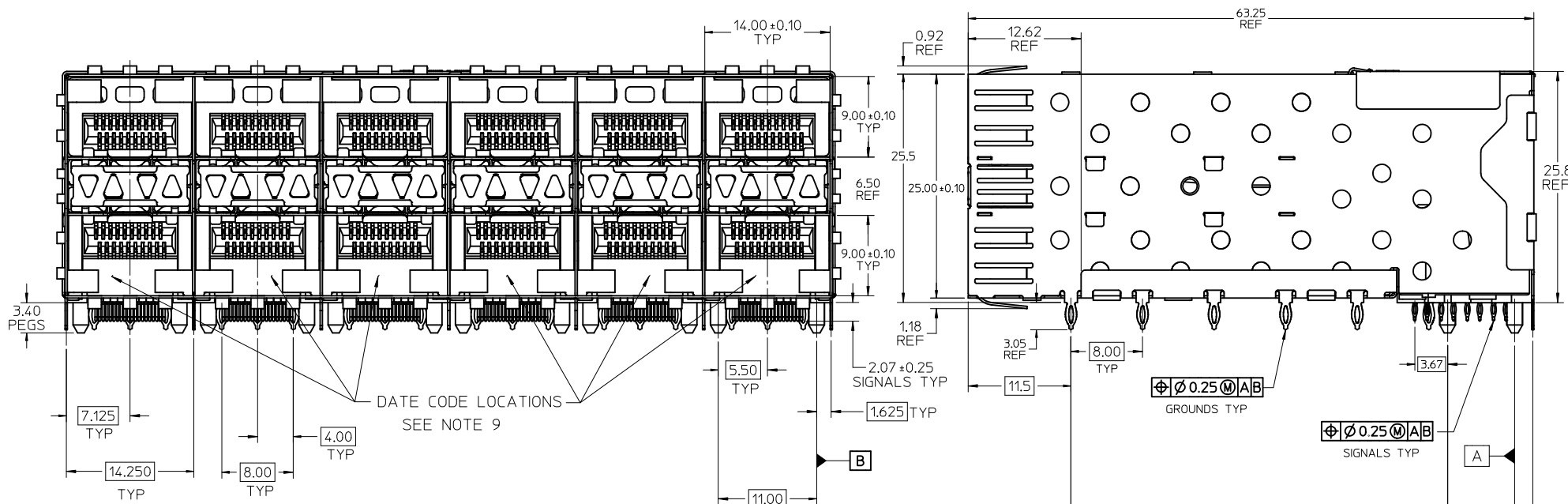
## Contact us

Tel: +86-755-8981 8866 Fax: +86-755-8427 6832

Email & Skype: info@chipsmall.com Web: www.chipsmall.com

Address: A1208, Overseas Decoration Building, #122 Zhenhua RD., Futian, Shenzhen, China



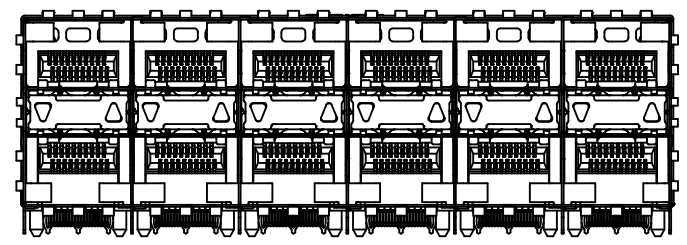
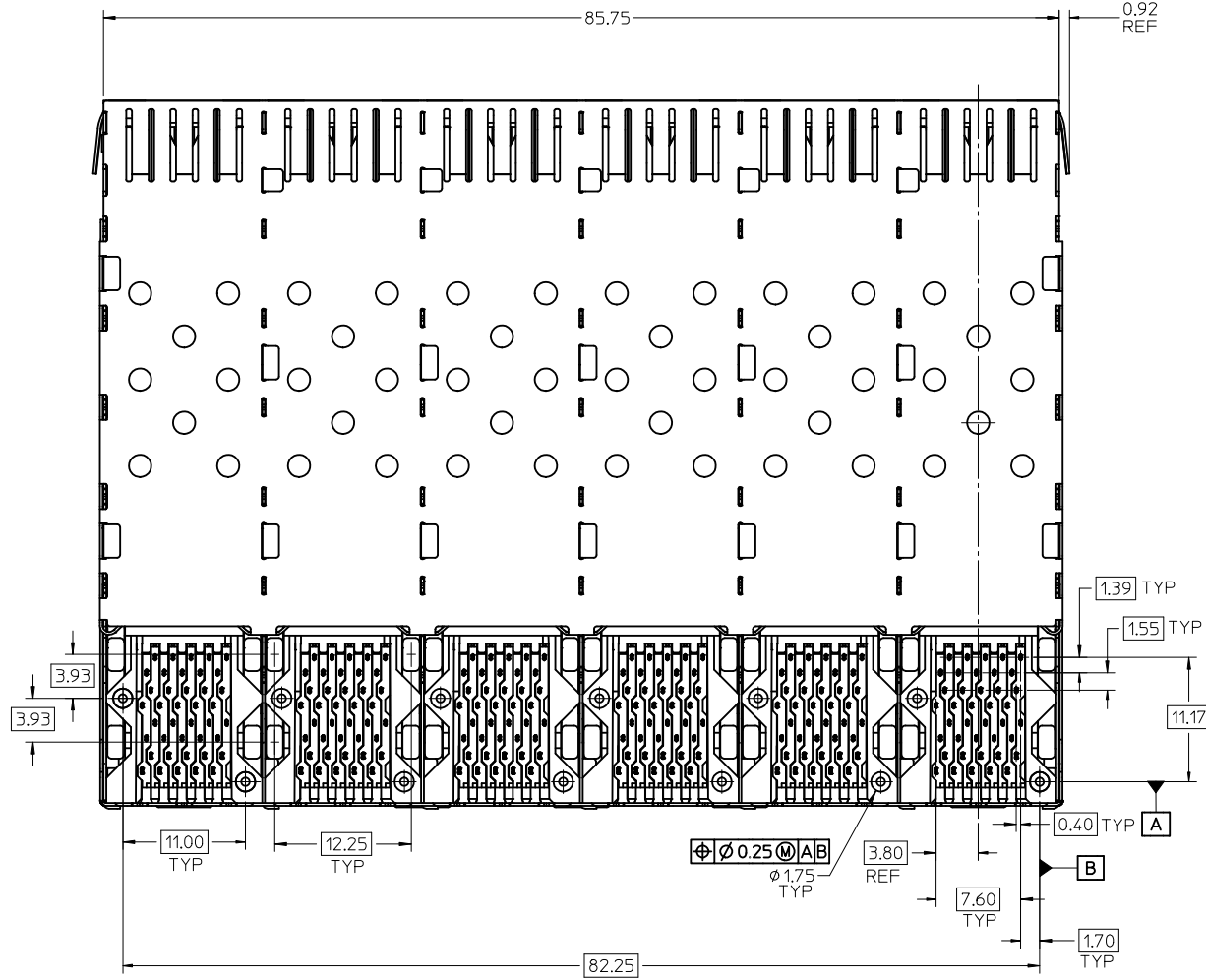


**NOTES:**

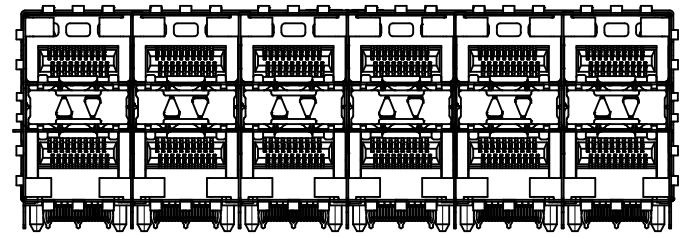
- MATERIAL:**  
 CAGE: NICKEL SILVER, THICKNESS: 0.25mm  
 CONNECTOR HOUSING: GLASS FILLED HIGH TEMP PLASTIC, 94 V-0  
 COLOR: BLACK  
 OVERMOLDED TERMINAL HOUSING: GLASS FILLED HIGH TEMP PLASTIC, 94 V-0, COLOR: BLACK  
 TERMINALS: TIN BRASS  
 LIGHT PIPES: POLYCARBONITE, 94 V-0, COLOR: CLEAR  
 LIGHT PIPE HOUSING: ZINC
- FINISH:**  
 LIGHT PIPE HOUSING: 150 MICROMETERS NICKEL OVER 150 MICROMETERS COPPER  
 TERMINALS: CONTACT AREA: 0.76 MICROMETERS MINIMUM HARD GOLD OVER 1.27 MICROMETERS MINIMUM NICKEL  
 COMPLIANT AREA - MATTE TIN/LEAD OPTION: 0.76 - 1.52 MICROMETERS 90/10 MATTE TIN/LEAD OVER 0.76 - 1.52 MICROMETERS NICKEL.  
 COMPLIANT AREA - MATTE TIN OPTION: 0.76 - 1.52 MICROMETERS MATTE TIN OVER 0.76 - 1.52 MICROMETERS NICKEL.
- REFER TO PS-75310-001 PRODUCT SPEC FOR ALL ELECTRICAL, MECHANICAL AND ENVIRONMENTAL SPECIFICATIONS.
- LIGHT PIPE PAD LAYOUT IS FOR LOW-PROFILE LED PACKAGE, FOR OTHER RECOMMENDED LAYOUTS REFER TO MOLEX'S REPORT TS-75310-001.
- REFER TO PK-75451-001 FOR ALL PACKAGING SPECIFICATIONS.
- THE CURVED TAILS THAT GO INTO THE HOLES LOCATED BY THESE DIMENSIONS ARE BEING ELIMINATED. TO ACCOMMODATE THIS CONVERSION, IT IS RECOMMENDED THAT BOARDS DESIGNED TO THIS PRINT REVISION INCLUDE THESE HOLES.
- PART COMPLIES WITH COSMETIC SPECIFICATION PS-45499-002. SEE SHEET 4 SECTION Z-Z FOR SURFACE CLASSIFICATIONS. UNDERSIDE OF CAGE COMPLIES WITH CLASS \*C\*.
- REFER TO AS-76090-001 FOR HIGH SPEED ROUTING RECOMMENDATIONS.
- DATE CODE LOCATION IS SHOWN ABOVE.  
 DATE CODE FORMAT: DDD Y MX A1  
 DDD = DAY OF THE YEAR  
 Y = YEAR  
 MX = MOLEX  
 A = ALPHA CHARACTER - INDICATES MANUFACTURING LINE  
 1 = NUMERIC CHARACTER - INDICATES PRODUCTION SHIFT

PART NUMBER	PART TYPE (SEE VIEWS ON SHEET 2)	COMPLIANT TAIL PLATING
75451-0001	4 PORT LIGHT PIPE	MATTE TIN LEAD
75451-0002	INNER 2 PORTS	MATTE TIN LEAD
75451-0003	OUTER 2 PORTS	MATTE TIN LEAD
75451-5001	4 PORT LIGHT PIPE	MATTE TIN
75451-5002	INNER 2 PORTS	MATTE TIN
75451-5003	OUTER 2 PORTS	MATTE TIN
75451-5004	OUTER 2 PORTS - SPECIAL CONFIG	MATTE TIN

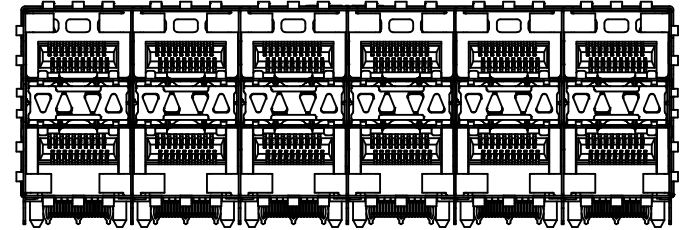
<b>ADD CLARIFICATIONS</b> EC NO: UCP2011-2450 DRWN:BBARKER 2011/08/05 CHKD: APPR:SMILLER 2011/11/09	QUALITY SYMBOLS 	GENERAL TOLERANCES (UNLESS SPECIFIED)		DIMENSION STYLE MM ONLY		SCALE 3:1	DESIGN UNITS METRIC	THIRD ANGLE PROJECTION	
		mm	INCH	DRAWN BY JLONG	DATE 05-15-2004	STACKED SFP 2X6 MEDIUM HEIGHT ASS'Y, PRESS-FIT TAILS WITH LIGHT PIPES <b>MOLEX INCORPORATED</b>			
		4 PLACES ± ---	± ---	CHECKED BY JLONG	DATE 04-16-2004				
		3 PLACES ± ---	± ---	APPROVED BY KREGNIER	DATE 04-19-2004	MATERIAL NO.		DOCUMENT NO.	SHEET NO.
2 PLACES ± 0.13	± ---	DRAFT WHERE APPLICABLE MUST REMAIN WITHIN DIMENSIONS		SEE TABLE		SD-75451-001		1 OF 5	
1 PLACE ± 0.25	± ---	THIS DRAWING CONTAINS INFORMATION THAT IS PROPRIETARY TO MOLEX INCORPORATED AND SHOULD NOT BE USED WITHOUT WRITTEN PERMISSION							



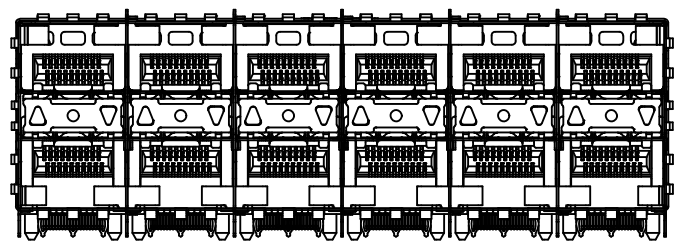
75451-0003 & 75451-5003  
WITH OUTER LIGHT PIPES



75451-0002 & 75451-5002  
WITH INNER LIGHT PIPES

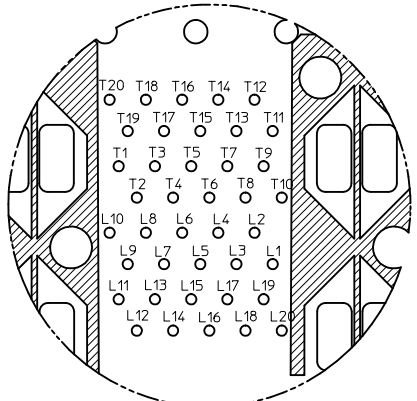


75451-0001 & 75451-5001  
WITH INNER/OUTER LIGHT PIPES

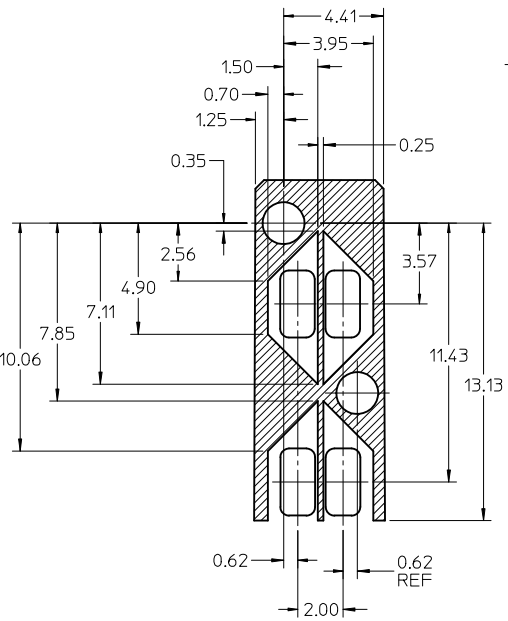


75451-5004  
WITH OUTER LIGHT PIPES

SEE SHEET 1 EC NO: UCP2011-2450 DRWN:BBARKER 2011/08/05 CHKD: APPR:SMILLER 2011/11/09	QUALITY SYMBOLS ▽=0 ▽=0	GENERAL TOLERANCES (UNLESS SPECIFIED) <table border="1"> <thead> <tr> <th></th> <th>mm</th> <th>INCH</th> </tr> </thead> <tbody> <tr> <td>4 PLACES</td> <td>± 0.13</td> <td>± 0.005</td> </tr> <tr> <td>3 PLACES</td> <td>± 0.25</td> <td>± 0.010</td> </tr> <tr> <td>2 PLACES</td> <td>± 0.38</td> <td>± 0.015</td> </tr> <tr> <td>1 PLACE</td> <td>± 0.51</td> <td>± 0.020</td> </tr> </tbody> </table>		mm	INCH	4 PLACES	± 0.13	± 0.005	3 PLACES	± 0.25	± 0.010	2 PLACES	± 0.38	± 0.015	1 PLACE	± 0.51	± 0.020	DIMENSION STYLE MM ONLY	SCALE 3:1	DESIGN UNITS METRIC	THIRD ANGLE PROJECTION
		mm	INCH																		
	4 PLACES	± 0.13	± 0.005																		
	3 PLACES	± 0.25	± 0.010																		
2 PLACES	± 0.38	± 0.015																			
1 PLACE	± 0.51	± 0.020																			
DRAWN BY JLONG	DATE 05-15-2004	CHECKED BY JLONG	DATE 04-16-2004	APPROVED BY KREGNIER	DATE 04-19-2004	TITLE STACKED SFP 2X6 MEDIUM HEIGHT ASS'Y, PRESS-FIT TAILS WITH LIGHT PIPES															
MATERIAL NO.	SEE TABLE	DOCUMENT NO. SD-75451-001	SHEET NO. 2 OF 5	MOLEX INCORPORATED																	
DRAFT WHERE APPLICABLE MUST REMAIN WITHIN DIMENSIONS	SIZE C	THIS DRAWING CONTAINS INFORMATION THAT IS PROPRIETARY TO MOLEX INCORPORATED AND SHOULD NOT BE USED WITHOUT WRITTEN PERMISSION																			

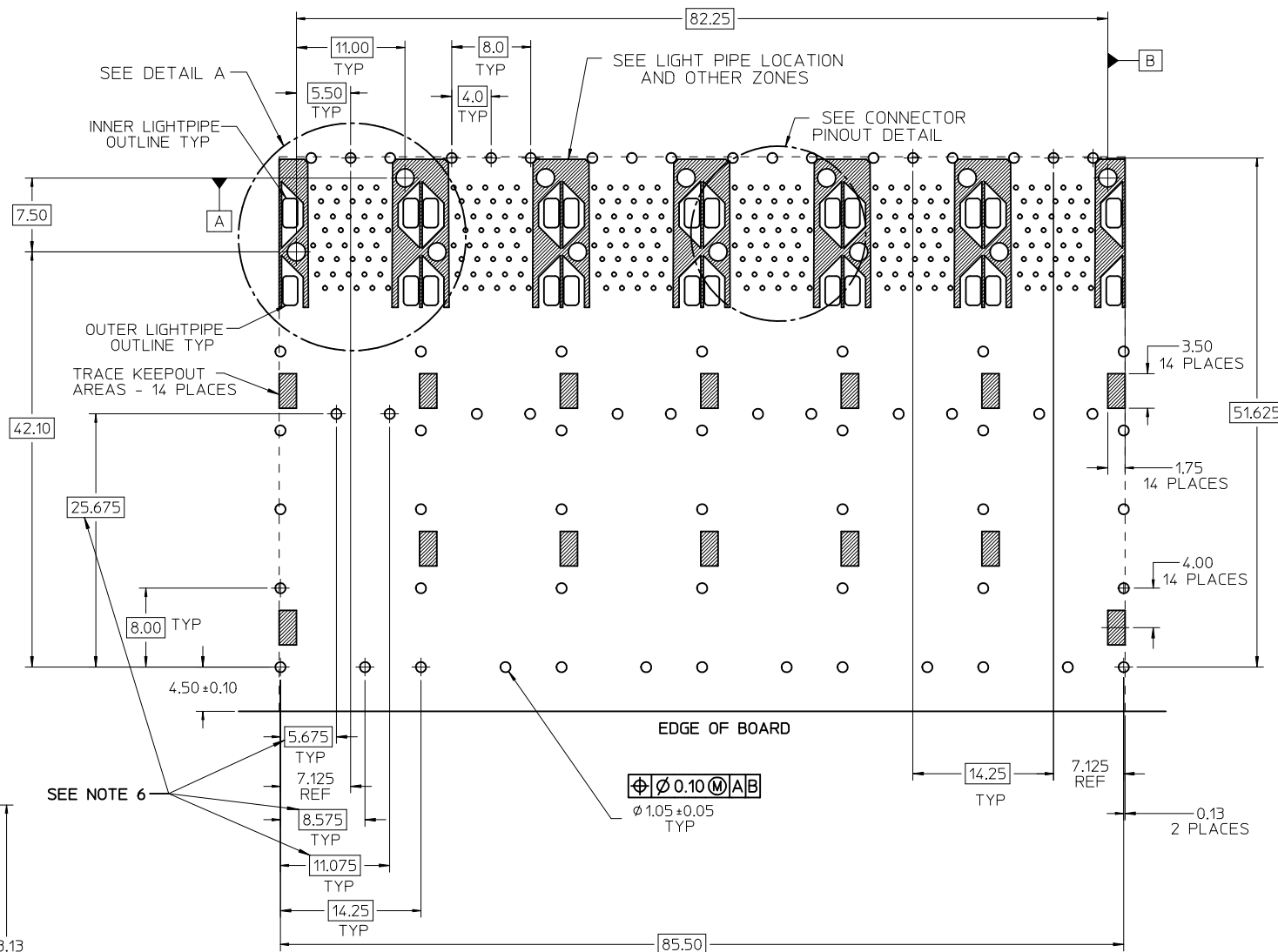


CONNECTOR PIN-OUT DETAIL  
COMPONENT SIDE OF BOARD



DETAIL LIGHT PIPE LOCATION AND OTHER ZONES  
SCALE 6:1

THE HATCHED AREA IN THIS VIEW INDICATES ZONES THAT ARE OCCUPIED BY THE PLASTIC HOUSING THAT SEATS AGAINST THE PCB AND BY THE VERTICAL METAL CAGE WALL THAT STOPS JUST SHORT OF THE PCB

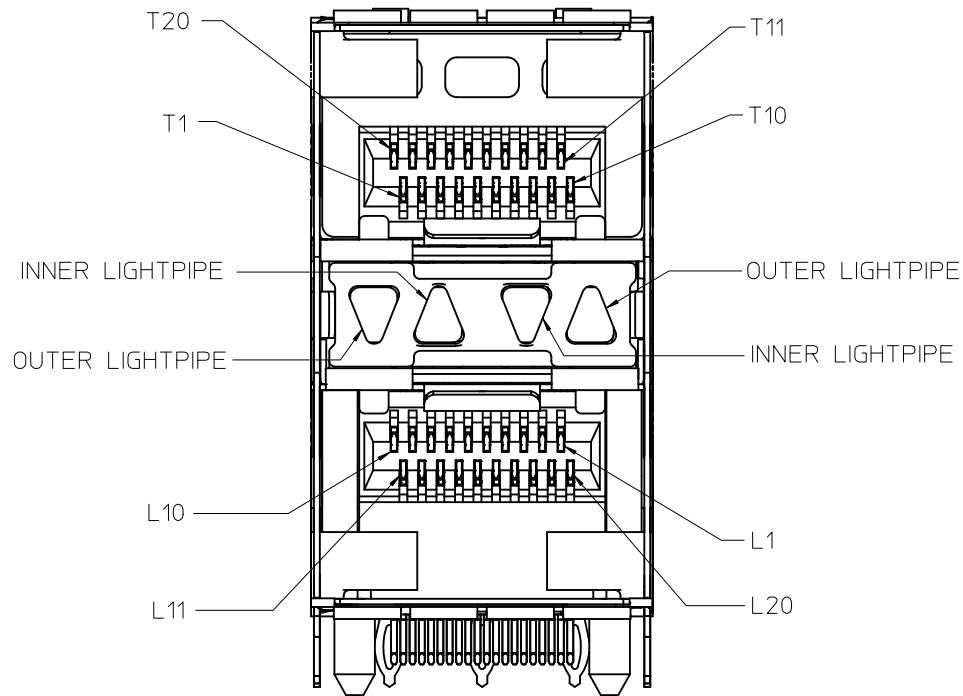
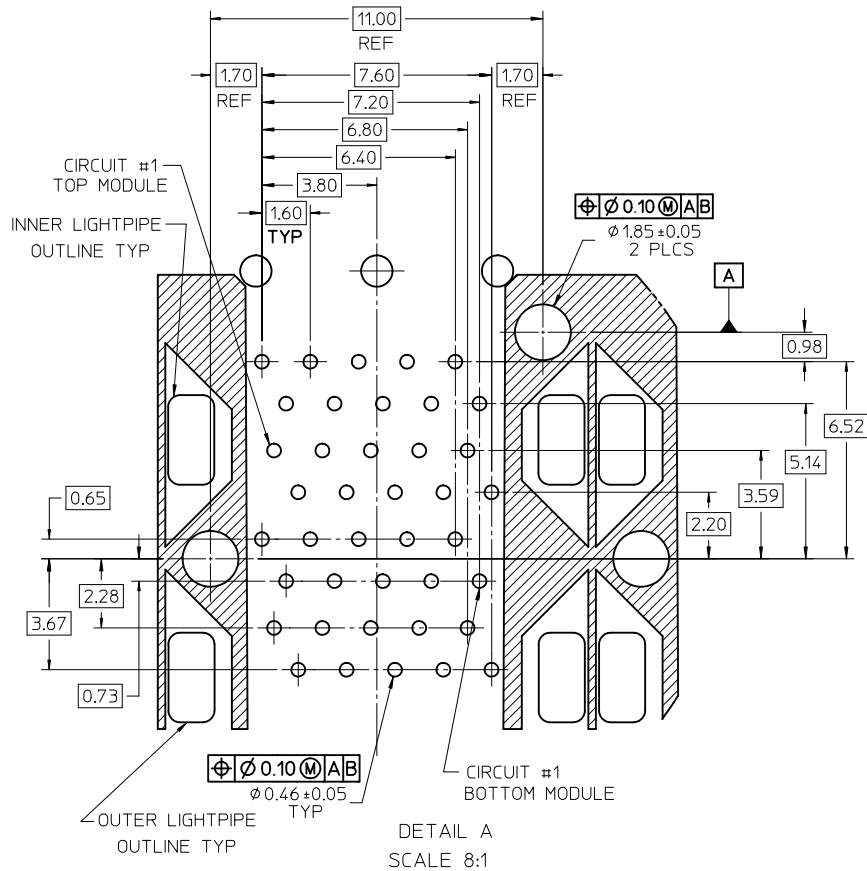


RECOMMENDED PCB LAYOUT - COMPONENT SIDE  
RECOMMENDED PCB THICKNESS - 2.36 MM (.093 INCH)

THE ENTIRE AREA OF THE CONNECTOR FOOTPRINT TO BE CONSIDERED THE KEEP OUT AREA FOR COMPONENTS (OTHER THAN LIGHT PIPE LED'S). THIS AREA IS INDICATED BY THE DASHED LINE

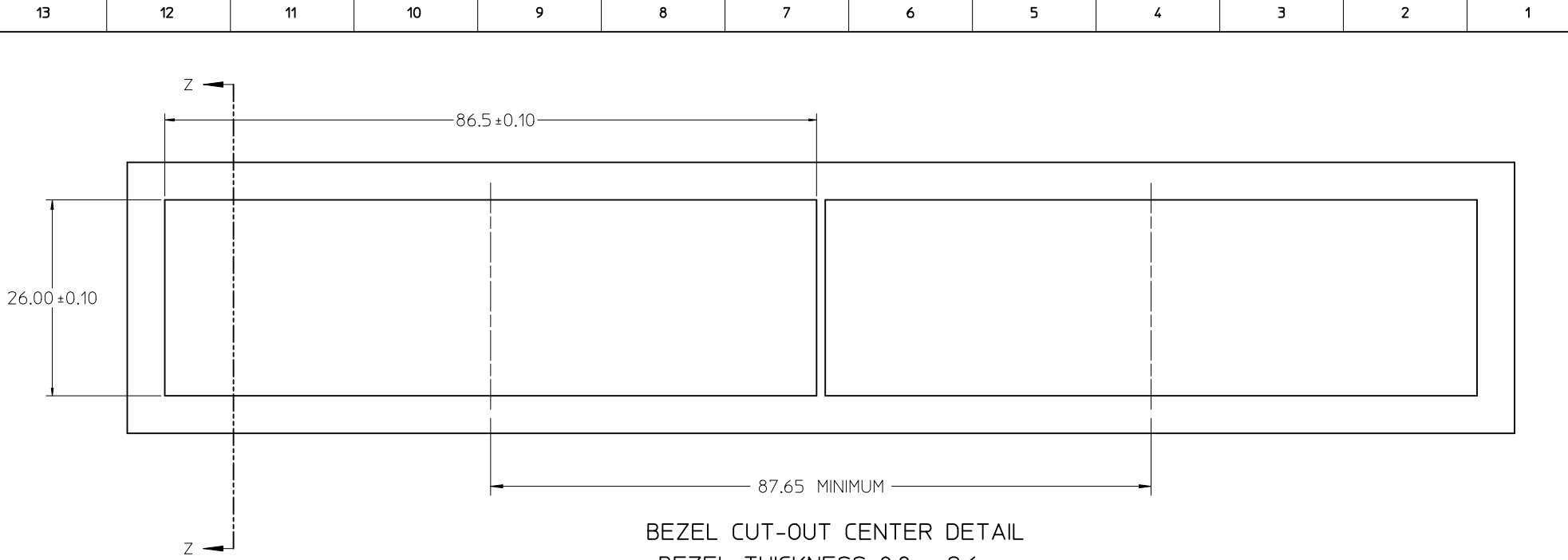
<b>SEE SHEET 1</b> EC NO: UCP2011-2450 DR: WNBARKER 2011/08/05 CHKD: MILLER 2011/11/09 APPR: MILLER	QUALITY SYMBOLS ▽=0 ▽=0	GENERAL TOLERANCES (UNLESS SPECIFIED) <table border="1"> <tr> <th></th> <th>mm</th> <th>INCH</th> </tr> <tr> <td>4 PLACES ±</td> <td>---</td> <td>---</td> </tr> <tr> <td>3 PLACES ±</td> <td>---</td> <td>---</td> </tr> <tr> <td>2 PLACES ±</td> <td>0.13</td> <td>---</td> </tr> <tr> <td>1 PLACE ±</td> <td>0.25</td> <td>---</td> </tr> <tr> <td colspan="3">ANGULAR ± 5 °</td> </tr> </table>		mm	INCH	4 PLACES ±	---	---	3 PLACES ±	---	---	2 PLACES ±	0.13	---	1 PLACE ±	0.25	---	ANGULAR ± 5 °			DIMENSION STYLE <b>MM ONLY</b> DRAWN BY DATE JLONG 05-15-2004 CHECKED BY DATE JLONG 04-16-2004 APPROVED BY DATE KREGNIER 04-19-2004	SCALE <b>3:1</b> DESIGN UNITS <b>METRIC</b> THIRD ANGLE PROJECTION	TITLE <b>STACKED SFP 2X6 MEDIUM HEIGHT ASS'Y, PRESS-FIT TAILS WITH LIGHT PIPES</b>
		mm	INCH																				
	4 PLACES ±	---	---																				
	3 PLACES ±	---	---																				
2 PLACES ±	0.13	---																					
1 PLACE ±	0.25	---																					
ANGULAR ± 5 °																							
DRAFT WHERE APPLICABLE MUST REMAIN WITHIN DIMENSIONS	MATERIAL NO. <b>SEE TABLE</b>	MOLEX INCORPORATED	DOCUMENT NO. <b>SD-75451-001</b>	SHEET NO. <b>3 OF 5</b>																			
THIS DRAWING CONTAINS INFORMATION THAT IS PROPRIETARY TO MOLEX INCORPORATED AND SHOULD NOT BE USED WITHOUT WRITTEN PERMISSION																							



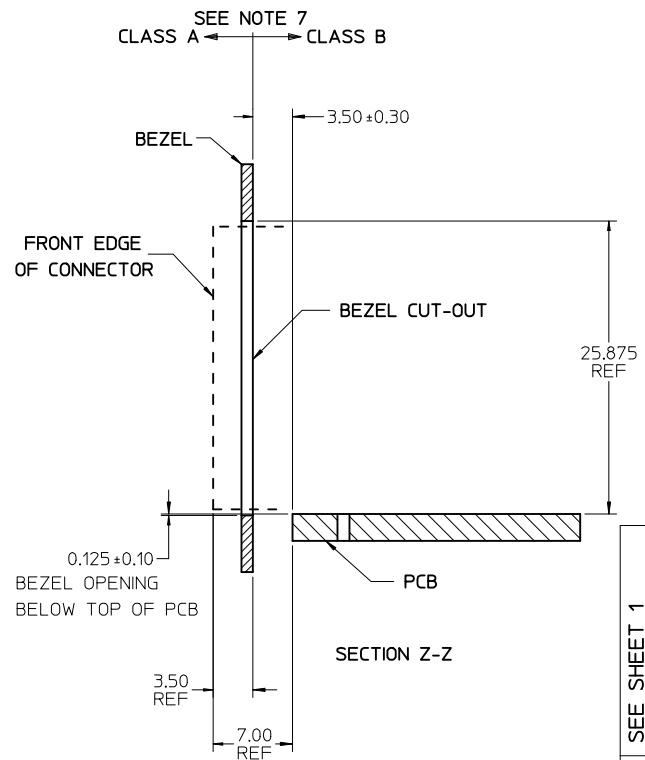


**DETAIL B**  
SCALE 5:1  
CIRCUIT NUMBERING  
AND LIGHTPIPE  
IDENTIFICATION

<b>SEE SHEET 1</b> EC NO: UCP2011-2450 DRWN:BBARKER 2011/08/05 CHKD: APPR:SMILLER 2011/11/09	QUALITY SYMBOLS ▽=0 ▽=0	GENERAL TOLERANCES (UNLESS SPECIFIED) <table border="1"> <thead> <tr> <th></th> <th>mm</th> <th>INCH</th> </tr> </thead> <tbody> <tr> <td>4 PLACES</td> <td>± 0.10</td> <td>± 0.004</td> </tr> <tr> <td>3 PLACES</td> <td>± 0.15</td> <td>± 0.006</td> </tr> <tr> <td>2 PLACES</td> <td>± 0.25</td> <td>± 0.010</td> </tr> <tr> <td>1 PLACE</td> <td>± 0.50</td> <td>± 0.020</td> </tr> </tbody> </table> ANGULAR ± 5°		mm	INCH	4 PLACES	± 0.10	± 0.004	3 PLACES	± 0.15	± 0.006	2 PLACES	± 0.25	± 0.010	1 PLACE	± 0.50	± 0.020	DIMENSION STYLE <b>MM ONLY</b> DRAWN BY: JLONG DATE: 05-15-2004 CHECKED BY: JLONG DATE: 04-16-2004 APPROVED BY: KREGNIER DATE: 04-19-2004	SCALE <b>3:1</b> DESIGN UNITS <b>METRIC</b> THIRD ANGLE PROJECTION	TITLE <b>STACKED SFP 2X6 MEDIUM HEIGHT ASS'Y, PRESS-FIT TAILS WITH LIGHT PIPES</b>
		mm	INCH																	
	4 PLACES	± 0.10	± 0.004																	
	3 PLACES	± 0.15	± 0.006																	
2 PLACES	± 0.25	± 0.010																		
1 PLACE	± 0.50	± 0.020																		
DRAFT WHERE APPLICABLE MUST REMAIN WITHIN DIMENSIONS	MATERIAL NO. <b>SEE TABLE</b>	MOLEX INCORPORATED	DOCUMENT NO. <b>SD-75451-001</b>	SHEET NO. <b>4 OF 5</b>																
THIS DRAWING CONTAINS INFORMATION THAT IS PROPRIETARY TO MOLEX INCORPORATED AND SHOULD NOT BE USED WITHOUT WRITTEN PERMISSION																				



BEZEL CUT-OUT CENTER DETAIL  
BEZEL THICKNESS 0.8 - 2.6



SEE SHEET 1  
EC NO: UCP2011-2450  
DRAWN BY: DRWINBBARKER 2011/08/05  
CHKD: APPR: SMILLER 2011/11/09

REV	DESCRIPTION
0	QUALITY SYMBOLS
1	QUALITY SYMBOLS
2	QUALITY SYMBOLS

GENERAL TOLERANCES (UNLESS SPECIFIED)		
	mm	INCH
4 PLACES	± 0.13	± 0.005
3 PLACES	± 0.25	± 0.010
2 PLACES	± 0.38	± 0.015
1 PLACE	± 0.51	± 0.020
ANGULAR ± 5°		
DRAFT WHERE APPLICABLE MUST REMAIN WITHIN DIMENSIONS		

DIMENSION STYLE	
MM ONLY	
DRAWN BY	DATE
JLONG	05-15-2004
CHECKED BY	DATE
JLONG	04-16-2004
APPROVED BY	DATE
KREGNIER	04-19-2004
MATERIAL NO.	
SEE SHEET 1	

SCALE	DESIGN UNITS	THIRD ANGLE PROJECTION
3:1	METRIC	
TITLE		
STACKED SFP 2X6 MEDIUM HEIGHT ASS'Y, PRESS-FIT TAILS WITH LIGHT PIPES		
MOLEX INCORPORATED		SHEET NO.
DOCUMENT NO. SD-75451-001		5 OF 5
THIS DRAWING CONTAINS INFORMATION THAT IS PROPRIETARY TO MOLEX INCORPORATED AND SHOULD NOT BE USED WITHOUT WRITTEN PERMISSION		