



Chipsmall Limited consists of a professional team with an average of over 10 year of expertise in the distribution of electronic components. Based in Hongkong, we have already established firm and mutual-benefit business relationships with customers from,Europe,America and south Asia,supplying obsolete and hard-to-find components to meet their specific needs.

With the principle of “Quality Parts,Customers Priority,Honest Operation,and Considerate Service”,our business mainly focus on the distribution of electronic components. Line cards we deal with include Microchip,ALPS,ROHM,Xilinx,Pulse,ON,Everlight and Freescale. Main products comprise IC,Modules,Potentiometer,IC Socket,Relay,Connector.Our parts cover such applications as commercial,industrial, and automotives areas.

We are looking forward to setting up business relationship with you and hope to provide you with the best service and solution. Let us make a better world for our industry!



Contact us

Tel: +86-755-8981 8866 Fax: +86-755-8427 6832

Email & Skype: info@chipsmall.com Web: www.chipsmall.com

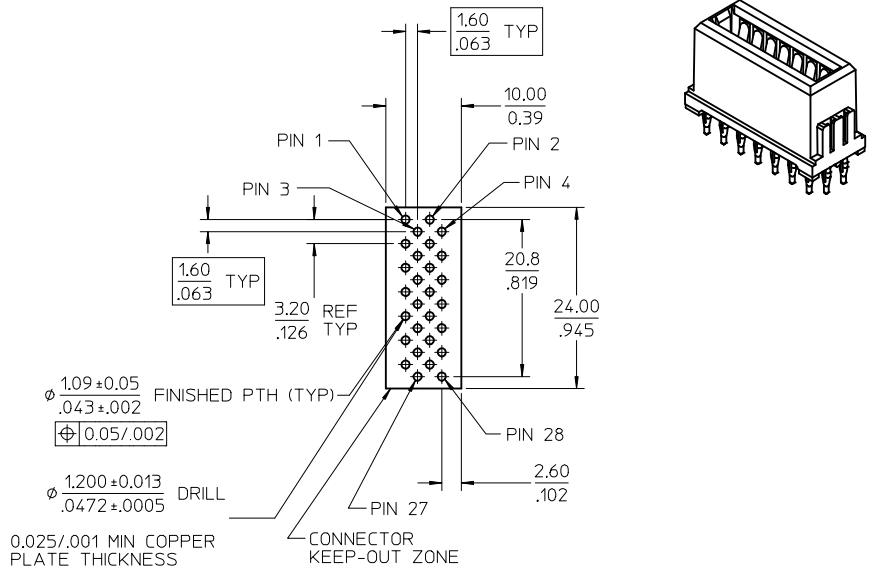
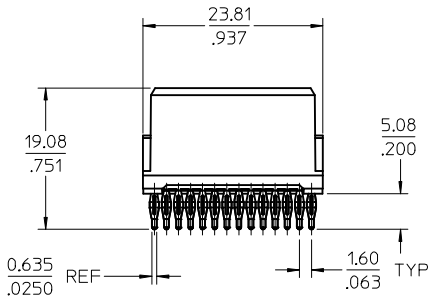
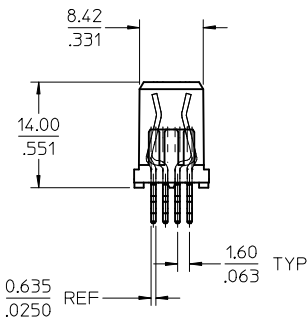
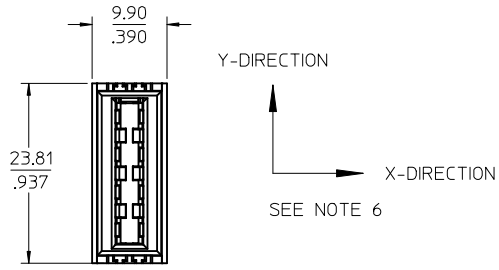
Address: A1208, Overseas Decoration Building, #122 Zhenhua RD., Futian, Shenzhen, China



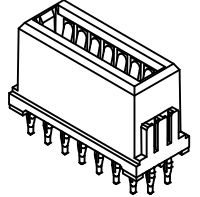
13	12	11	10	9	8	7	6	5	4	3	2	1
PART NUMBER		PLATING										
75542-5000		30μ INCH MIN SELECT HARD GOLD IN CONTACT AREA WITH 100μ INCH MIN SELECT TIN IN TAIL AREA OVER 50μ INCH MIN NICKEL OVERALL										

(A8)

- NOTES:
- MATERIALS:
 - HOUSING: 30% GLASS FILLED, LCP 94V-0, COLOR: BLACK
 - TERMINALS: COPPER ALLOY
 - PLATING: PER ES-88 - SEE CHART
 - LUBRICATION: EB1 IN CONTACT AREA
 - SEE CHART FOR REFERENCE DOCUMENTS
 - RECEPTACLE MATES WITH PLUG ASSEMBLIES: 75556-5*** & 75556-15***
 - AVERAGE INSERTION FORCE INTO PCB IS 8.2 Kg/18 LBS PER TAIL
 - MODULE ASSEMBLY IS RoHS COMPLIANT
 - GATHERABILITY: ±0.65/.026 X-DIRECTION
±1.30/.051 Y-DIRECTION
 - TERMINAL RETENTION INTO HOUSING .45Kg/1.0 LB



PCB LAYOUT
3.18/.125 MIN THICK



REFERENCE DOCUMENTS

PS-75431-999	PRODUCT SPECIFICATION: PERFORMANCE AND RATINGS
SD-75541-***	FINAL ASSEMBLY CONFIGURATION DRAWING
AS-75541-100	APPLICATION SPECIFICATION

REMOVE PART NUMBER EC NO: UCP2014-0690 DRWN:MBANDURA 2013/08/15 CHKD: APPR:APATEL 2013/09/05 REV: A8	QUALITY SYMBOLS	GENERAL TOLERANCES (UNLESS SPECIFIED)	DIMENSION STYLE	SCALE	DESIGN UNITS	THIRD ANGLE PROJECTION	
	▽=0	mm INCH	MM/IN	2:1	METRIC		
	▽=0	4 PLACES ± --- ± --- 3 PLACES ± --- ± .008 2 PLACES ± 0.20 ± .013 1 PLACE ± 0.33 ± ---	DRAWN BY DATE ADRNOL 2005/04/19	TITLE	POWERMASS 150 AMP MODULE RECEPTACLE		
	▽=0	ANGULAR ±1/2°	CHECKED BY DATE MDATA 2005/04/19	APPROVED BY DATE JCOMERC I 2009/12/17	MOLEX INCORPORATED		
	DRAFT WHERE APPLICABLE MUST REMAIN WITHIN DIMENSIONS	MATERIAL NO.	SIZE	DOCUMENT NO.	SHEET NO.		
		SEE CHART	C	SD-75542-100	1 OF 1		
		THIS DRAWING CONTAINS INFORMATION THAT IS PROPRIETARY TO MOLEX INCORPORATED AND SHOULD NOT BE USED WITHOUT WRITTEN PERMISSION					