



Chipsmall Limited consists of a professional team with an average of over 10 year of expertise in the distribution of electronic components. Based in Hongkong, we have already established firm and mutual-benefit business relationships with customers from,Europe,America and south Asia,supplying obsolete and hard-to-find components to meet their specific needs.

With the principle of “Quality Parts,Customers Priority,Honest Operation,and Considerate Service”,our business mainly focus on the distribution of electronic components. Line cards we deal with include Microchip,ALPS,ROHM,Xilinx,Pulse,ON,Everlight and Freescale. Main products comprise IC,Modules,Potentiometer,IC Socket,Relay,Connector.Our parts cover such applications as commercial,industrial, and automotives areas.

We are looking forward to setting up business relationship with you and hope to provide you with the best service and solution. Let us make a better world for our industry!



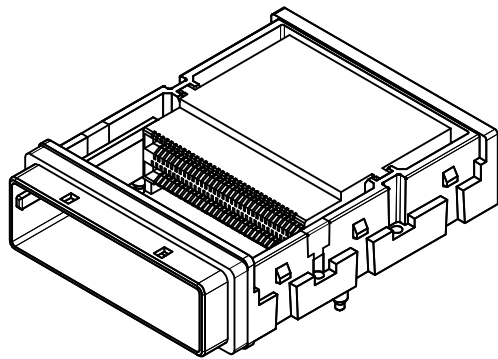
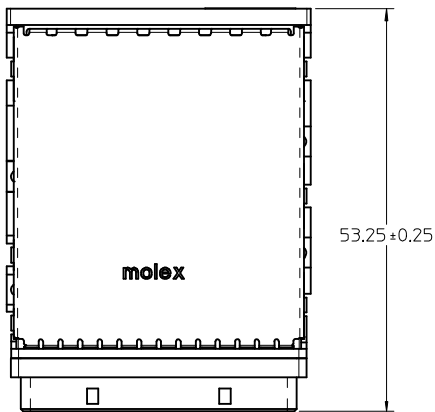
Contact us

Tel: +86-755-8981 8866 Fax: +86-755-8427 6832

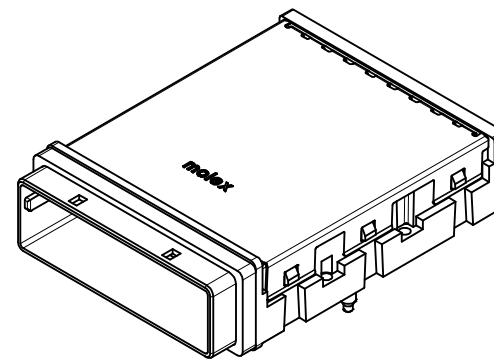
Email & Skype: info@chipsmall.com Web: www.chipsmall.com

Address: A1208, Overseas Decoration Building, #122 Zhenhua RD., Futian, Shenzhen, China

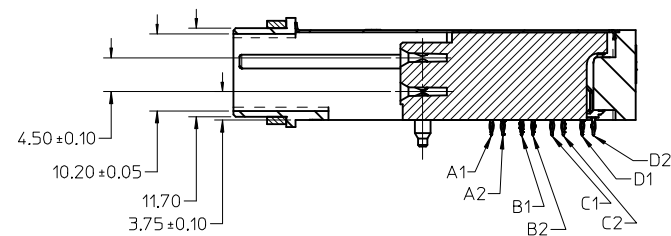
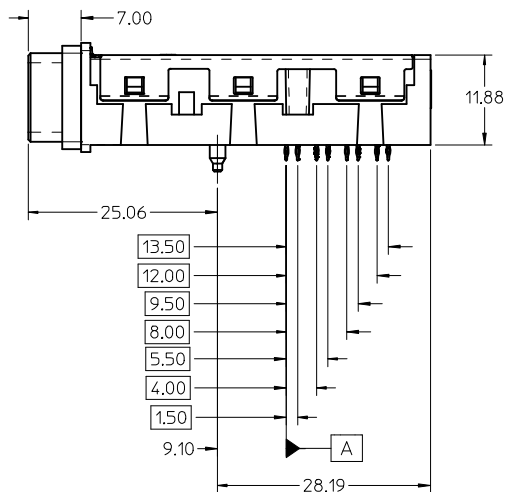
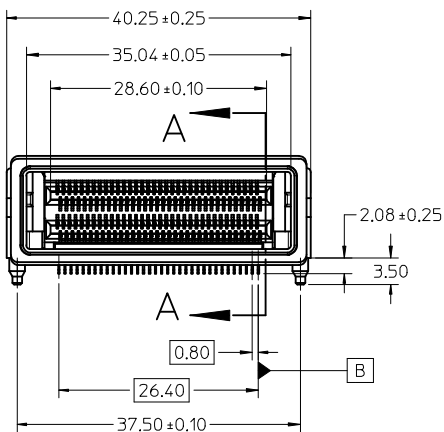




NO COVER OPTION



COVER OPTION



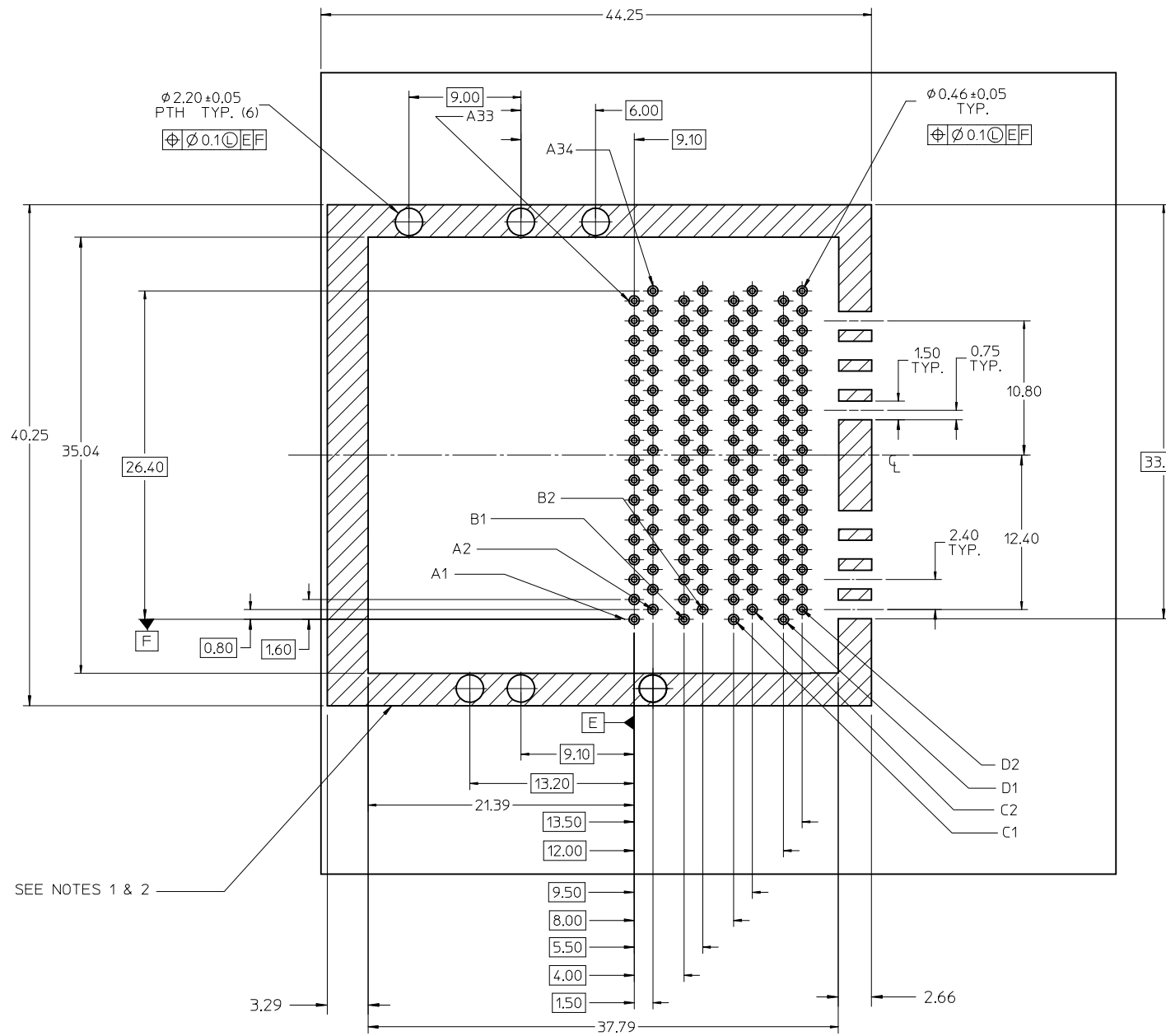
SECTION A-A

NOTES :

- MATERIALS:
 - CONNECTOR HOUSING - HIGH TEMP THERMOPLASTIC, GLASS FILLED, UL94V-0
 - EMI HOUSING - NICKEL PLATED DIE CAST ALLOY
 - COVER - STAINLESS STEEL ALLOY
 - EMI GASKET - SEE CHART
- PLATING OPTIONS:
 - (A) CONTACT AREA - $0.38 \mu\text{m}$ MIN GOLD OVER $2.54 \mu\text{m}$ MIN NICKEL
COMPLIANT TAIL AREA - $0.76 - 1.52 \mu\text{m}$ TIN OVER $1.27 \mu\text{m}$ MIN NICKEL.
 - (B) CONTACT AREA - $0.76 \mu\text{m}$ MIN GOLD OVER $2.54 \mu\text{m}$ MIN NICKEL
COMPLIANT TAIL AREA - $0.76 - 1.52 \mu\text{m}$ TIN OVER $1.27 \mu\text{m}$ MIN NICKEL.
- PRODUCT SPECIFICATION : PS-75586-001
- THIS CONNECTOR IS DESIGNED TO MATE WITH MOLEX CABLE SERIES 74546.
- PACKAGING SPECIFICATION : TRAY PACK PER PK-75581-001
- MOUNTING HARDWARE REQ'D : M2x8mm CAP SCREWS (4)

PART NUMBER	PLATING OPTION	GASKET TYPE	COVER OPTION
75581-0008	A	CONDUCTIVE POLYMER	YES
75581-0009	B	CONDUCTIVE POLYMER	YES
75581-0018	A	UL 94V-0	YES
75581-0019	B	UL 94V-0	YES
75581-0020	A	UL 94V-0	NO
75581-0021	B	UL 94V-0	NO

ADD P/N UL94V0 EC NO: UCP2014-5033 DRWN: TMCLELL 2014/05/30 CHKD: TMCLELL AND 2014/06/03 APPR: MBANKIS 2014/06/05	QUALITY SYMBOLS 	GENERAL TOLERANCES (UNLESS SPECIFIED)		DIMENSION STYLE MM ONLY		SCALE 2:1	DESIGN UNITS METRIC	THIRD ANGLE PROJECTION	
		4 PLACES \pm --- \pm --- 3 PLACES \pm --- \pm --- 2 PLACES ± 0.13 \pm --- 1 PLACE ± 0.25 \pm --- ANGULAR $\pm 1/2^\circ$	mm INCH DRAWN BY KREGNIER DATE 10/21/04 CHECKED BY DATE	APPROVED BY RNELSON DATE 10/28/04		MATERIAL NO. SEE CHART DOCUMENT NO. SD-75581-001		SHEET NO. 1 OF 3	
DRAFT WHERE APPLICABLE MUST REMAIN WITHIN DIMENSIONS		THIS DRAWING CONTAINS INFORMATION THAT IS PROPRIETARY TO MOLEX INCORPORATED AND SHOULD NOT BE USED WITHOUT WRITTEN PERMISSION							



NOTES :

1. CROSS HATCHED AREA TO BE CONDUCTIVE ON THE PCB.
2. CROSS HATCHED AREA MUST BE INCORPORATED IN THE FLAT ROCK PRESS-FIT TOOLING.

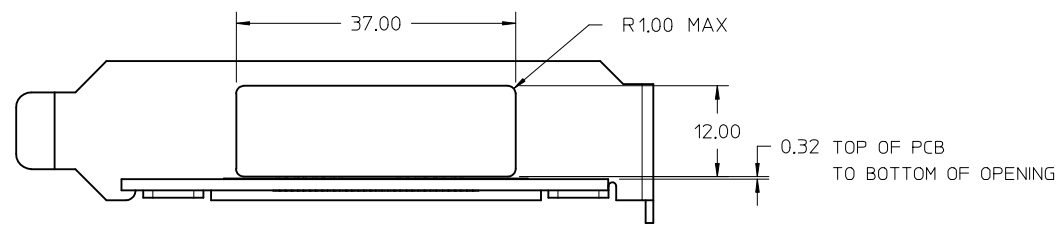
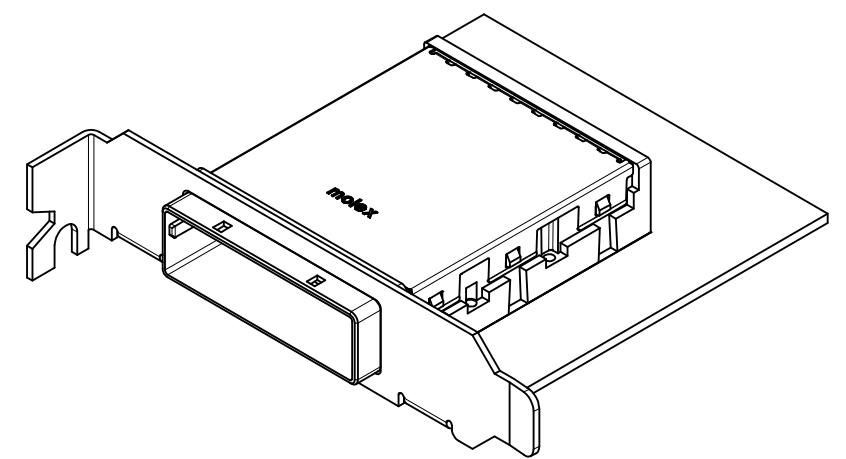
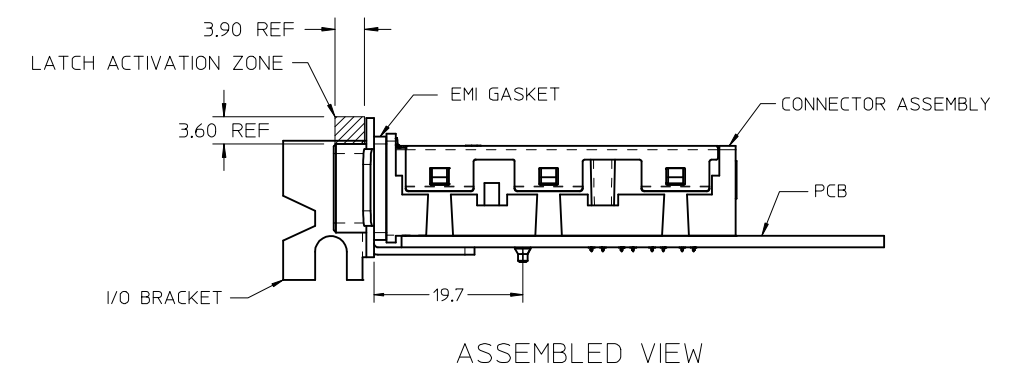
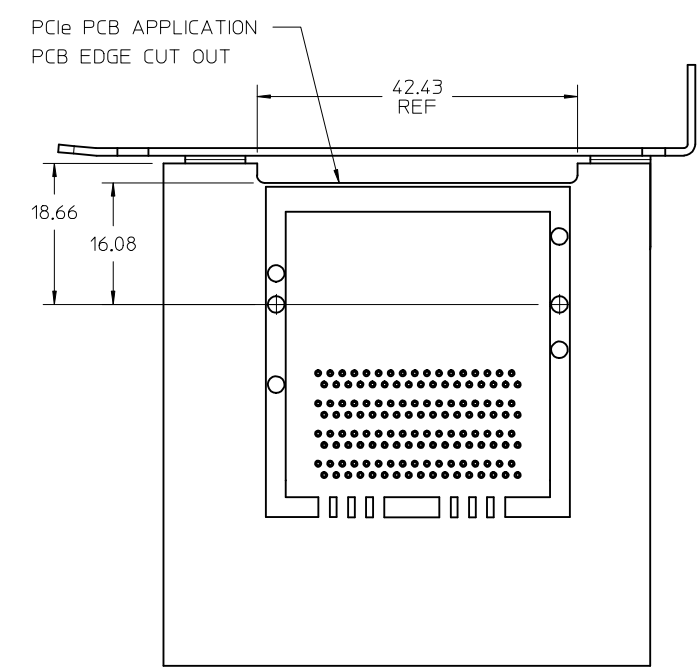
SEE NOTES 1 & 2

RECOMMENDED PCB LAYOUT : COMPONENT SIDE SHOWN
 PCB THICKNESS : 1.35mm MIN.

SEE SHEET 1 EC NO: UCP2014-5033 DRWN: MCLELL 2014/05/30 CHKD: MCLELL AND 2014/06/03 APPR: MBANKIS 2014/06/05	QUALITY SYMBOLS	GENERAL TOLERANCES (UNLESS SPECIFIED) <table border="1"> <tr> <th></th> <th>mm</th> <th>INCH</th> </tr> <tr> <td>4 PLACES</td> <td>± ---</td> <td>± ---</td> </tr> <tr> <td>3 PLACES</td> <td>± ---</td> <td>± ---</td> </tr> <tr> <td>2 PLACES</td> <td>± 0.13</td> <td>± ---</td> </tr> <tr> <td>1 PLACE</td> <td>± 0.25</td> <td>± ---</td> </tr> </table> ANGULAR ±1/2°		mm	INCH	4 PLACES	± ---	± ---	3 PLACES	± ---	± ---	2 PLACES	± 0.13	± ---	1 PLACE	± 0.25	± ---
			mm	INCH													
	4 PLACES		± ---	± ---													
	3 PLACES		± ---	± ---													
2 PLACES	± 0.13	± ---															
1 PLACE	± 0.25	± ---															
REV	H3																
DESCRIPTION																	
MATERIAL NO.																	

DRAFT WHERE APPLICABLE MUST REMAIN WITHIN DIMENSIONS	DIMENSION STYLE MM ONLY
	DRAWN BY KREGNIER CHECKED BY DATE 10/21/04
APPROVED BY RNELSON DATE 10/28/04	SCALE 4:1
MATERIAL NO. SEE CHART	DESIGN UNITS METRIC
SIZE C	THIRD ANGLE PROJECTION

TITLE 16X PCIe I-PASS CONNECTOR FAMILY 0.80 MM PITCH I/O	
MOLEX INCORPORATED	
DOCUMENT NO. SD-75581-001	SHEET NO. 2 OF 3
THIS DRAWING CONTAINS INFORMATION THAT IS PROPRIETARY TO MOLEX INCORPORATED AND SHOULD NOT BE USED WITHOUT WRITTEN PERMISSION	



I/O BRACKET CUT-OUT
(NOT SUPPLIED)

SEE SHEET 1 EC NO: UCP2014-5033 DRAWN: MCLELL 2014/05/30 CHKD: MCLELLAND 2014/06/03 APPR: MBANKS 2014/06/05	QUALITY SYMBOLS	GENERAL TOLERANCES (UNLESS SPECIFIED)	DIMENSION STYLE	SCALE	DESIGN UNITS	THIRD ANGLE PROJECTION
	▽=0	mm INCH	MM ONLY	2:1	METRIC	
	▽=0	4 PLACES ± --- ± ---	DRAWN BY DATE	TITLE		
		3 PLACES ± --- ± ---	KREGNIER 10/21/04	16X PCIe I-PASS CONNECTOR FAMILY		
	2 PLACES ± 0.13 ± ---	CHECKED BY DATE	0.80 MM PITCH I/O			
	1 PLACE ± 0.25 ± ---	APPROVED BY DATE	MOLEX INCORPORATED			
	ANGULAR ± 1/2°	RNELSON 10/28/04	MOLEX INCORPORATED			
	DRAFT WHERE APPLICABLE MUST REMAIN WITHIN DIMENSIONS	MATERIAL NO.	DOCUMENT NO.			
H3		SEE CHART	SD-75581-001			
		SIZE	THIS DRAWING CONTAINS INFORMATION THAT IS PROPRIETARY TO MOLEX INCORPORATED AND SHOULD NOT BE USED WITHOUT WRITTEN PERMISSION			
			SHEET NO. 3 OF 3			