



Chipsmall Limited consists of a professional team with an average of over 10 year of expertise in the distribution of electronic components. Based in Hongkong, we have already established firm and mutual-benefit business relationships with customers from,Europe,America and south Asia,supplying obsolete and hard-to-find components to meet their specific needs.

With the principle of “Quality Parts,Customers Priority,Honest Operation,and Considerate Service”,our business mainly focus on the distribution of electronic components. Line cards we deal with include Microchip,ALPS,ROHM,Xilinx,Pulse,ON,Everlight and Freescale. Main products comprise IC,Modules,Potentiometer,IC Socket,Relay,Connector.Our parts cover such applications as commercial,industrial, and automotives areas.

We are looking forward to setting up business relationship with you and hope to provide you with the best service and solution. Let us make a better world for our industry!



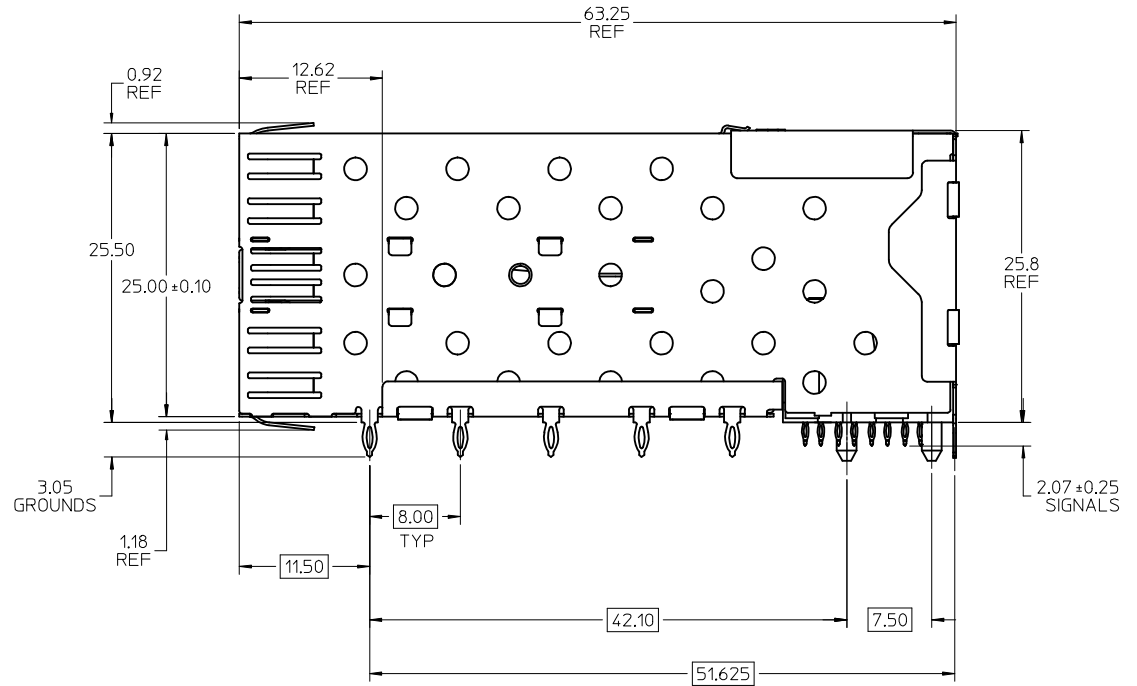
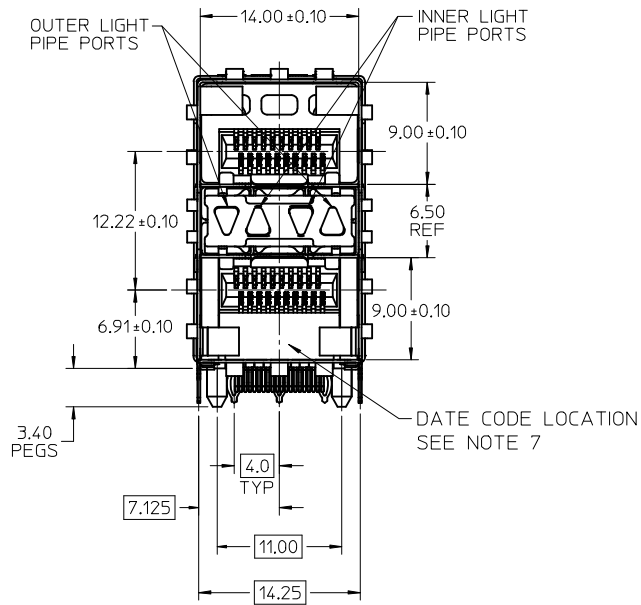
## Contact us

Tel: +86-755-8981 8866 Fax: +86-755-8427 6832

Email & Skype: info@chipsmall.com Web: www.chipsmall.com

Address: A1208, Overseas Decoration Building, #122 Zhenhua RD., Futian, Shenzhen, China





NOTES

1. MATERIAL:

CAGE: NICKEL SILVER, THICKNESS: 0.25mm  
 CONNECTOR HOUSING: GLASS FILLED LIQUID CRYSTAL POLYMER (LCP), UL 94V-0, COLOR: BLACK  
 OVERMOLD TERMINAL HOUSING: GLASS FILLED LIQUID CRYSTAL POLYMER (LCP), UL 94V-0, COLOR: BLACK  
 TERMINALS: TIN BRASS  
 LIGHTPIPE HOUSING: ZINC  
 LIGHTPIPES: POLYCARBONATE, COLOR: CLEAR

2. FINISHES:

TERMINALS: CONTACT AREA: 0.76 MICROMETERS MINIMUM HARD GOLD OVER 1.27 MICROMETERS MINIMUM NICKEL.  
 COMPLIANT TAIL - MATTE TIN/LEAD OPTION: 0.76 TO 1.52 MICROMETERS 90/10 MATTE TIN-LEAD OVER 0.76 MICROMETERS MINIMUM NICKEL.  
 COMPLIANT TAIL - MATTE TIN OPTION: 0.76 TO 1.52 MICROMETERS MATTE TIN OVER 0.76 MICROMETERS MINIMUM NICKEL.  
 LIGHTPIPE HOUSING: 80 MICROMETERS MINIMUM NICKEL OVER COPPER

3. REFER TO PS-75310-001 PRODUCT SPEC FOR ALL ELECTRICAL, MECHANICAL, AND ENVIRONMENTAL SPECIFICATIONS.

4. LIGHTPIPE PAD LAYOUT IS FOR 0805 LOW-PROFILE LED PACKAGE, FOR OTHER RECOMMENDED LAYOUTS REFER TO MOLEX'S REPORT TS-75310-001.

5. REFER TO PK-75462-001 FOR ALL PACKAGING SPECIFICATIONS.

6. PART COMPLIES WITH COSMETIC SPECIFICATION PS-45499-002.

SEE SHEET 4 SECTION Z-Z FOR SURFACE CLASSIFICATIONS.  
 UNDERSIDE OF CAGE COMPLIES WITH CLASS "C".

7. DATE CODE LOCATION IS SHOWN ABOVE.

DATE CODE FORMAT: DDDY MX A1

DDD = DAY OF THE YEAR

Y = YEAR

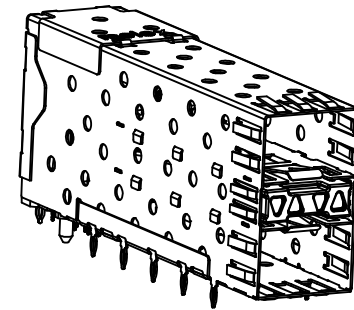
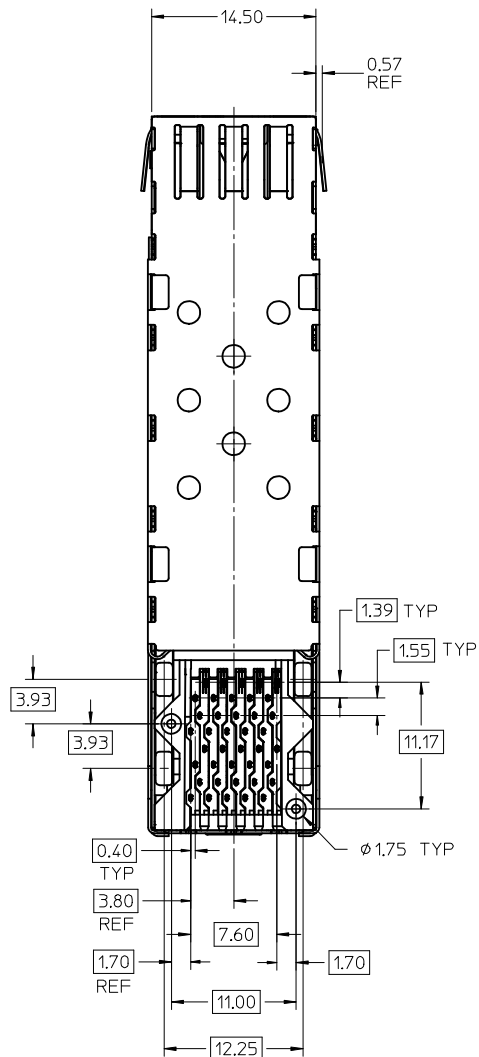
MX = MOLEX

A = ALPHA CHARACTER - INDICATES MANUFACTURING LINE

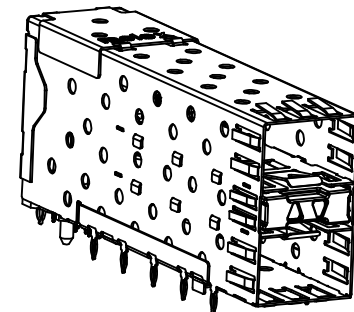
1 = NUMERIC CHARACTER - INDICATES PRODUCTION SHIFT

PART NUMBER	DESCRIPTION	VIEW	COMPLIANT TAIL PLATING
75640-0001	4 PORT LIGHT PIPE	SEE PG 2	TIN LEAD
75640-0002	INNER 2 PORTS	SEE PG 2	TIN LEAD
75640-0003	OUTER 2 PORTS	SEE PG 2	TIN LEAD
75640-5001	4 PORT LIGHT PIPE	SEE PG 2	TIN
75640-5002	INNER 2 PORTS	SEE PG 2	TIN
75640-5003	OUTER 2 PORTS	SEE PG 2	TIN

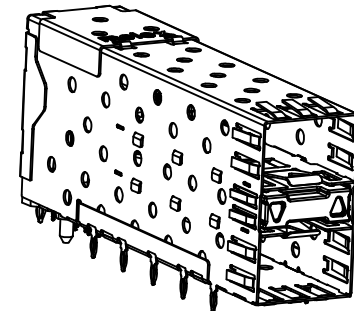
REMOVE OLD PCB HOLES EC NO: UCP2016-0008 DR: DRWINBARKER 2015/07/06 CHKD: APPR: SMILLER 2015/07/22	QUALITY SYMBOLS	GENERAL TOLERANCES (UNLESS SPECIFIED)	DIMENSION STYLE MM ONLY	SCALE 3:1	DESIGN UNITS METRIC	THIRD ANGLE PROJECTION
	▽=0	mm INCH	DRAWN BY DATE JLONG 05-15-2004	TITLE STACKED SFP 2X1 MEDIUM HEIGHT ASS'Y, PRESS-FIT TAILS WITH LIGHT PIPES		DOCUMENT NO. SD-75640-001
	▽=0	4 PLACES ± --- ± ---	CHECKED BY DATE JLONG 04-16-2004	SHEET NO. 1 OF 4		
	▽=0	3 PLACES ± --- ± ---	APPROVED BY DATE KREGNIER 04-19-2004			
▽=0	2 PLACES ± 0.13 ± ---	MATERIAL NO. SEE TABLE				
		0 PLACE ± 0.25 ± ---	SIZE C	THIS DRAWING CONTAINS INFORMATION THAT IS PROPRIETARY TO MOLEX INCORPORATED AND SHOULD NOT BE USED WITHOUT WRITTEN PERMISSION		
		ANGULAR ± 5 °				
		DRAFT WHERE APPLICABLE MUST REMAIN WITHIN DIMENSIONS				



756400001 & 756405001  
WITH 4 LIGHT PIPE PORTS

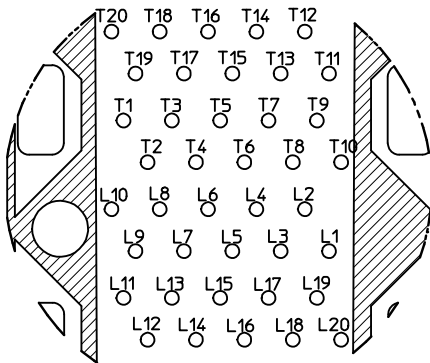


756400002 & 756405002  
WITH INNER LIGHT PIPE PORTS

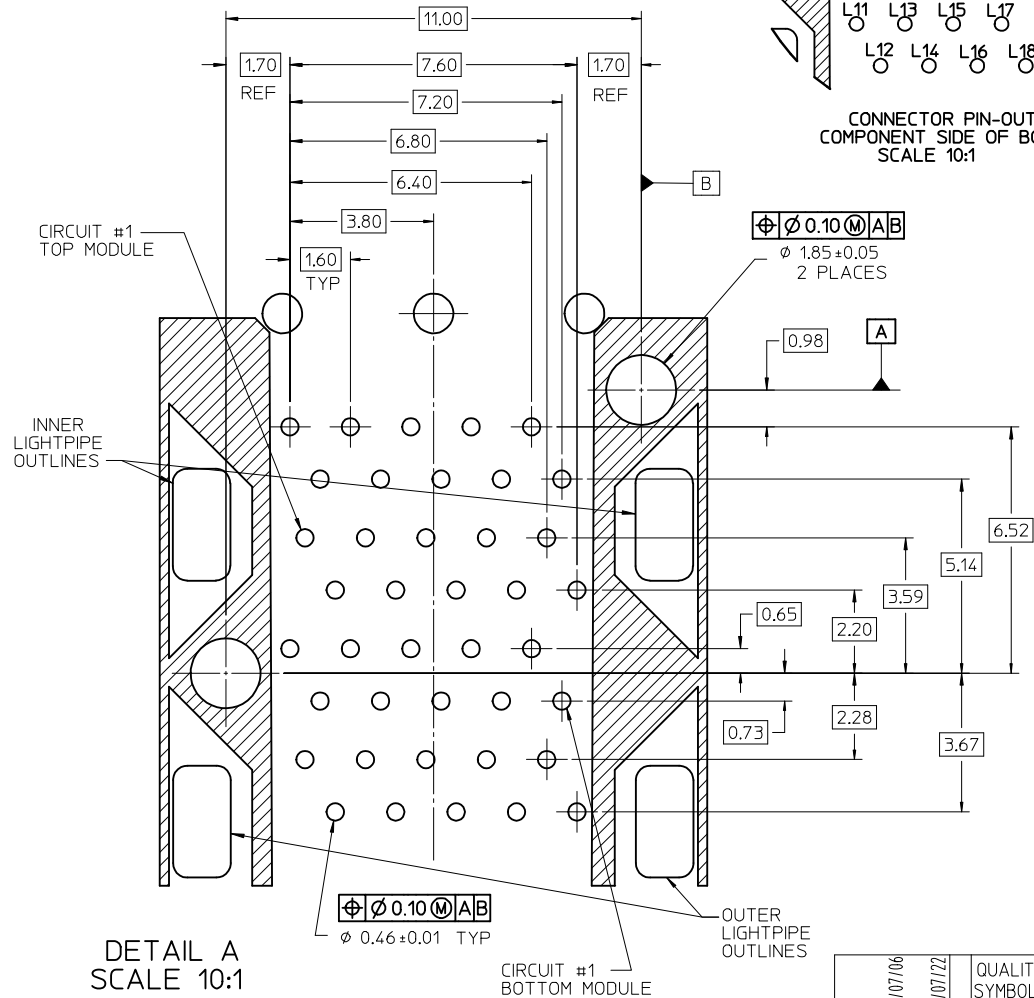


756400003 & 756405003  
WITH OUTER LIGHT PIPE PORTS

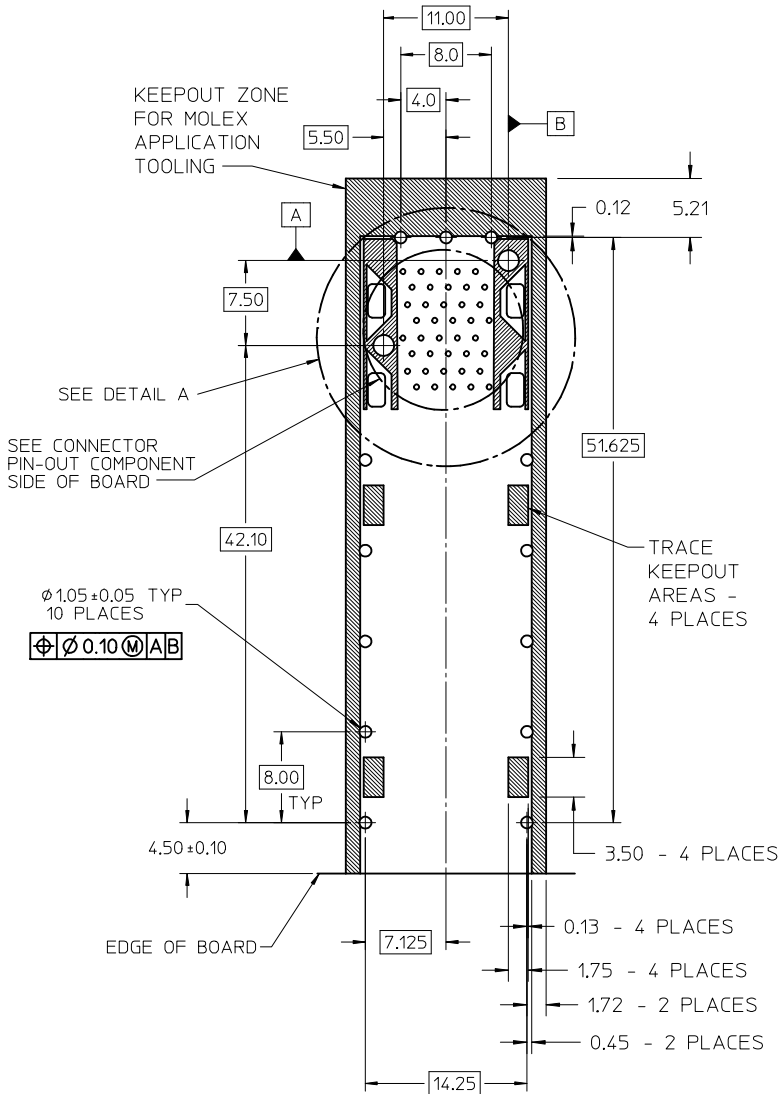
SEE SHEET 1 EC NO: UCP2016-0008 DRAWN BY: DRWIN:BBARKER CHKD: APPR:SMILLER G	DESCRIPTION 2015/07/06 2015/07/06	QUALITY SYMBOLS	GENERAL TOLERANCES (UNLESS SPECIFIED)		DIMENSION STYLE	SCALE	DESIGN UNITS	THIRD ANGLE PROJECTION
		▽=0 ▽=0 ▽=0	mm	INCH	MM ONLY	3:1	METRIC	☉
			4 PLACES	± ---	± ---	DRAWN BY	DATE	STACKED SFP 2X1 MEDIUM HEIGHT ASS'Y, PRESS-FIT TAILS WITH LIGHT PIPES <b>molex</b>
			3 PLACES	± ---	± ---	CHECKED BY	DATE	
			2 PLACES	± 0.13	± ---	JLONG	04-16-2004	
			1 PLACE	± 0.25	± ---	APPROVED BY	DATE	
			0 PLACE	±	±	KREGNIER	04-19-2004	
			ANGULAR ± 5 °			MATERIAL NO.	DOCUMENT NO.	
			DRAFT WHERE APPLICABLE MUST REMAIN WITHIN DIMENSIONS			SEE TBL, SHT 1	SD-75640-001	SHEET NO. 2 OF 4
					SIZE	THIS DRAWING CONTAINS INFORMATION THAT IS PROPRIETARY TO MOLEX INCORPORATED AND SHOULD NOT BE USED WITHOUT WRITTEN PERMISSION		



CONNECTOR PIN-OUT  
COMPONENT SIDE OF BOARD  
SCALE 10:1

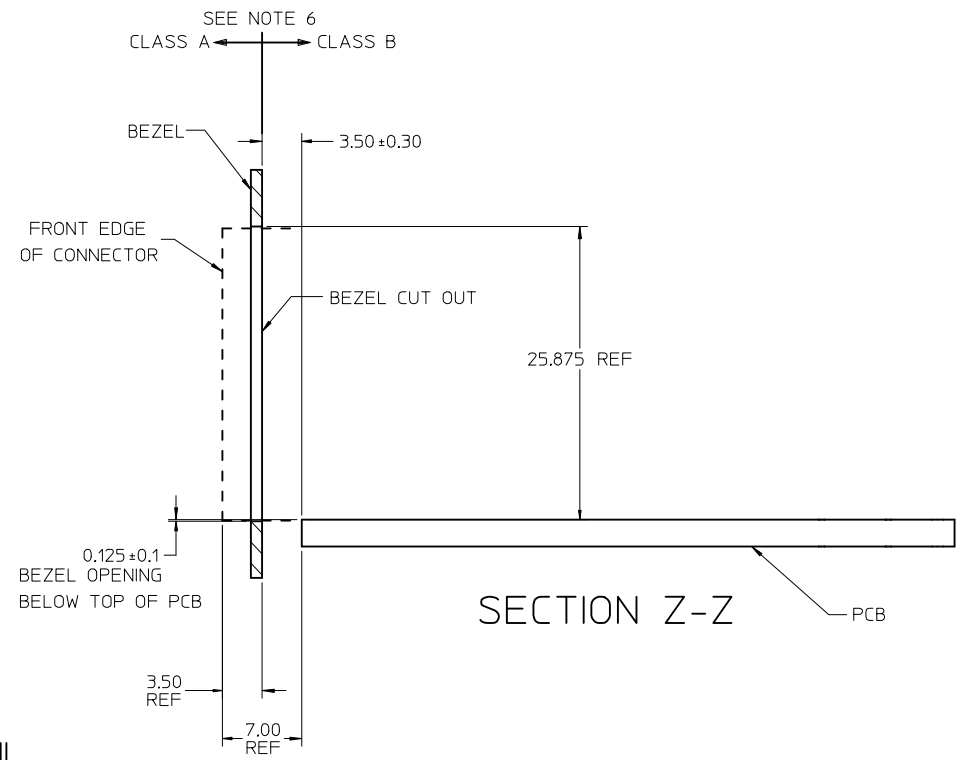
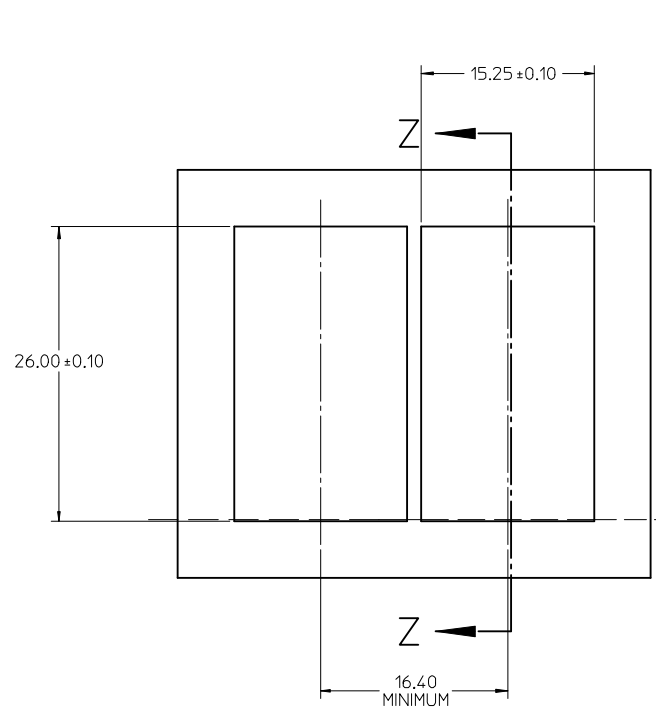


DETAIL A  
SCALE 10:1

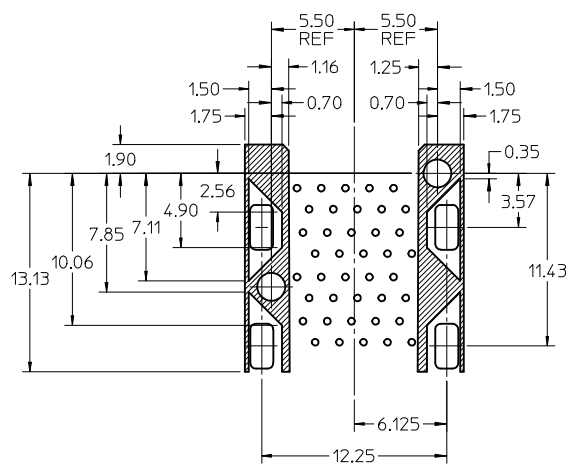


RECOMMENDED PCB LAYOUT - COMPONENT SIDE  
RECOMMENDED PCB THICKNESS: 2.36 MM (.093 INCH)  
(MINIMUM PCB THICKNESS: 1.57)  
THE ENTIRE AREA OF THE CONNECTOR FOOTPRINT  
TO BE CONSIDERED THE KEEP OUT AREA FOR COMPONENTS

SEE SHEET 1 EC NO: UCP2016-0008 IDRW:BBARKER 2015/07/06 CHKD: APPR:SMILLER 2015/07/22	QUALITY SYMBOLS 	GENERAL TOLERANCES (UNLESS SPECIFIED) <table border="1"> <tr> <th></th> <th>mm</th> <th>INCH</th> </tr> <tr> <td>4 PLACES</td> <td>± .05</td> <td>± .002</td> </tr> <tr> <td>3 PLACES</td> <td>± .03</td> <td>± .001</td> </tr> <tr> <td>2 PLACES</td> <td>± 0.13</td> <td>± .005</td> </tr> <tr> <td>1 PLACE</td> <td>± 0.25</td> <td>± .010</td> </tr> <tr> <td>0 PLACE</td> <td>±</td> <td>±</td> </tr> </table>		mm	INCH	4 PLACES	± .05	± .002	3 PLACES	± .03	± .001	2 PLACES	± 0.13	± .005	1 PLACE	± 0.25	± .010	0 PLACE	±	±	DIMENSION STYLE <b>MM ONLY</b> DRAWN BY DATE JLONG 05-15-2004 CHECKED BY DATE JLONG 04-16-2004 APPROVED BY DATE KREGNIER 04-19-2004	SCALE <b>3:1</b> DESIGN UNITS <b>METRIC</b> THIRD ANGLE PROJECTION	TITLE <b>STACKED SFP 2X1 MEDIUM HEIGHT ASS'Y, PRESS-FIT TAILS WITH LIGHT PIPES</b> <b>molex</b>	MATERIAL NO. <b>SD-75640-001</b> DOCUMENT NO.	SHEET NO. <b>3 OF 4</b>
		mm	INCH																						
	4 PLACES	± .05	± .002																						
	3 PLACES	± .03	± .001																						
2 PLACES	± 0.13	± .005																							
1 PLACE	± 0.25	± .010																							
0 PLACE	±	±																							
DRAFT WHERE APPLICABLE MUST REMAIN WITHIN DIMENSIONS	SEE TBL, SHT 1	THIS DRAWING CONTAINS INFORMATION THAT IS PROPRIETARY TO MOLEX. INCORPORATED AND SHOULD NOT BE USED WITHOUT WRITTEN PERMISSION																							

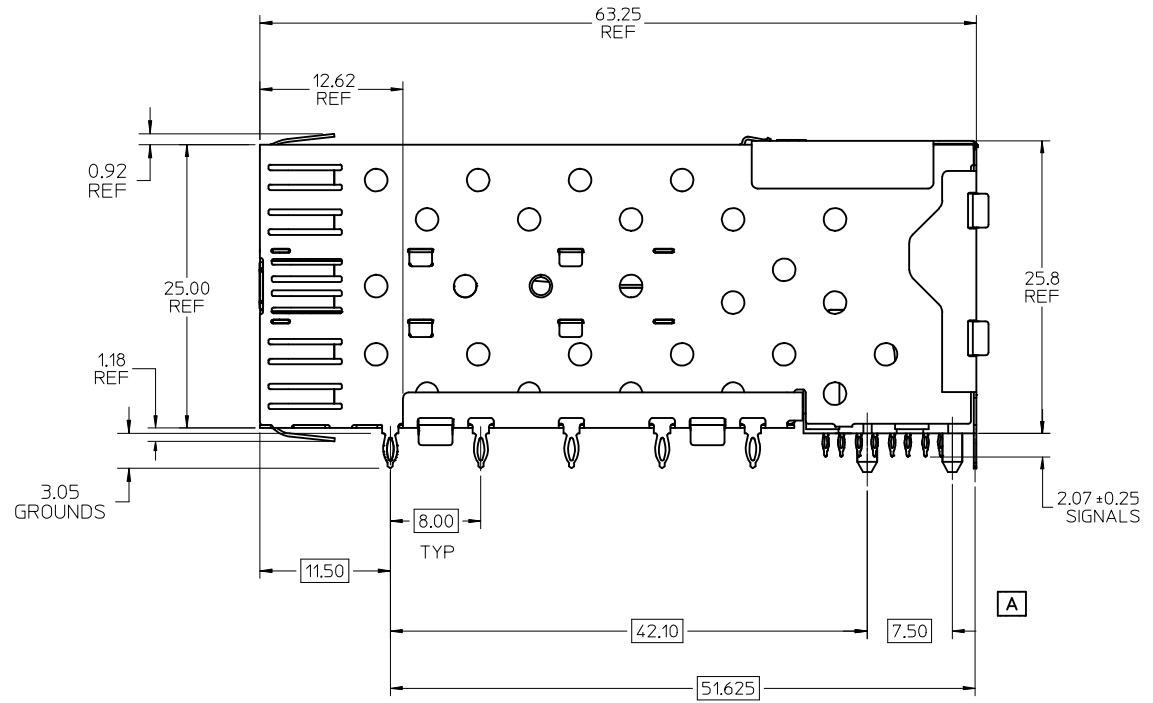
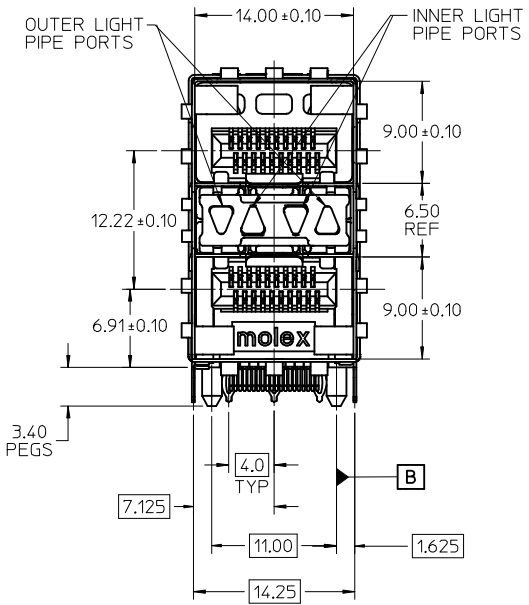


BEZEL CUT-OUT CENTER SPACING DETAIL  
BEZEL THICKNESS 0.8-2.6



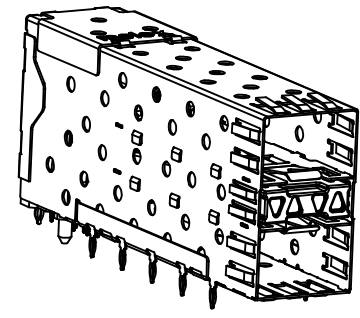
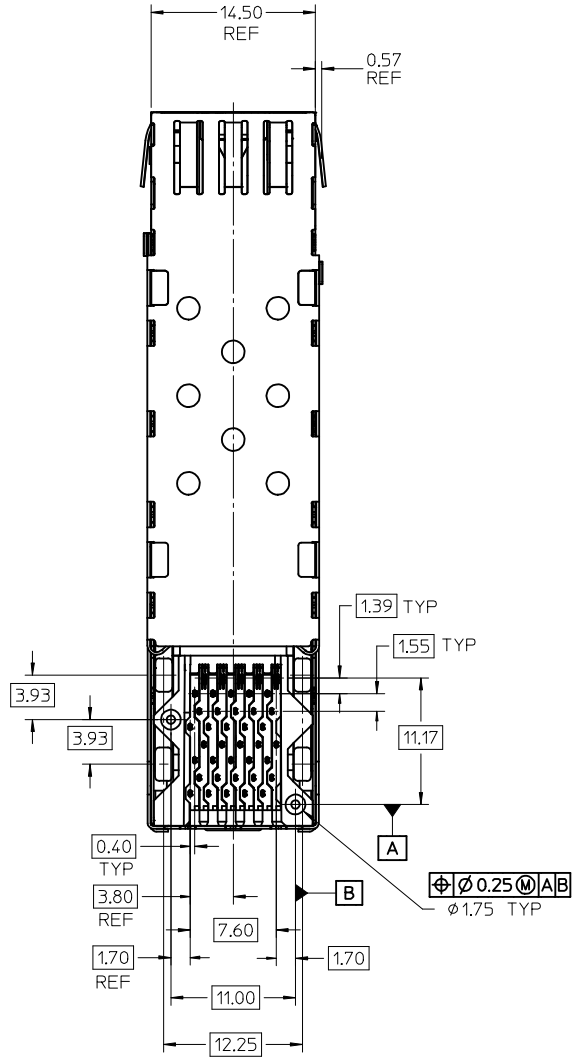
KEEP-OUT ZONE DETAIL  
SCALE 4:1

SEE SHEET 1 EC 008-MIC P2016-008S DRAWN BY: DRWINBBARKER CHKD: APPR: SMILLER 2015/07/06 2015/07/22	QUALITY SYMBOLS ▽=0 ▽=0 ▽=0	GENERAL TOLERANCES (UNLESS SPECIFIED)		DIMENSION STYLE <b>MM ONLY</b>	SCALE <b>3:1</b>	DESIGN UNITS <b>METRIC</b>	THIRD ANGLE PROJECTION
		4 PLACES ± --- ± ---	3 PLACES ± --- ± ---	DRAWN BY: JLONG DATE: 05-15-2004	TITLE <b>STACKED SFP 2X1 MEDIUM HEIGHT ASS'Y, PRESS-FIT TAILS WITH LIGHT PIPES</b>		
G	DESCRIPTION	2 PLACES ± 0.13 ± ---	1 PLACE ± 0.25 ± ---	CHECKED BY: JLONG DATE: 04-16-2004	<b>molex</b>		SHEET NO. 4 OF 4
		0 PLACE ± ±	ANGULAR ± 5 °	APPROVED BY: KREGNIER DATE: 04-19-2004			
DRAFT WHERE APPLICABLE MUST REMAIN WITHIN DIMENSIONS		MATERIAL NO.		DOCUMENT NO.		THIS DRAWING CONTAINS INFORMATION THAT IS PROPRIETARY TO MOLEX INCORPORATED AND SHOULD NOT BE USED WITHOUT WRITTEN PERMISSION	
		SEE TBL, SHT 1		SD-75640-001			

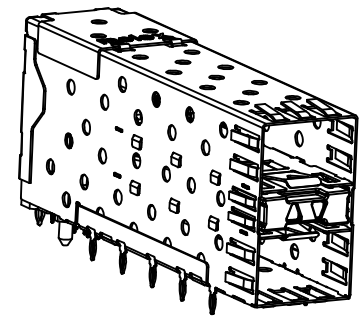


PART NUMBER	DESCRIPTION	VIEW	COMPLIANT TAIL PLATING
75640-2001	4 PORT LIGHT PIPE	SEE PG 2	TIN
	INNER 2 PORTS	SEE PG 2	TIN
	OUTER 2 PORTS	SEE PG 2	TIN

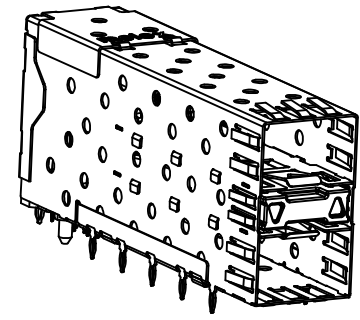
UPDATE ISO VIEWS EC NO: UCP2015-5229 DRWNSVANG01 2015/06/17 CHKD:BBARKER 2015/06/17 APPR:SMILLER 2015/06/30	QUALITY SYMBOLS	GENERAL TOLERANCES (UNLESS SPECIFIED)	DIMENSION STYLE	SCALE	DESIGN UNITS	THIRD ANGLE PROJECTION
	▽=0	mm INCH	MM ONLY	3:1	METRIC	
	▽=0	4 PLACES ± --- ± ---	DRAWN BY DATE			TITLE
	▽=0	3 PLACES ± --- ± ---	BBARKER 2009/11/06			STACKED SFP 2X1 MEDIUM HEIGHT ASS'Y, PRESS-FIT TAILS WITH LIGHT PIPES
		2 PLACES ± 0.13 ± ---	CHECKED BY DATE			<b>molex</b> DOCUMENT NO. SD-75640-004 SHEET NO. 1 OF 4
		1 PLACE ± 0.25 ± ---	MIBARRA 2009/11/06			
		0 PLACE ± --- ± ---	APPROVED BY DATE			
		ANGULAR ± 5°	SMILLER 2010/12/09			
		DRAFT WHERE APPLICABLE MUST REMAIN WITHIN DIMENSIONS	MATERIAL NO.			
			SEE CHART			



756402001  
WITH 4 LIGHT PIPE PORTS

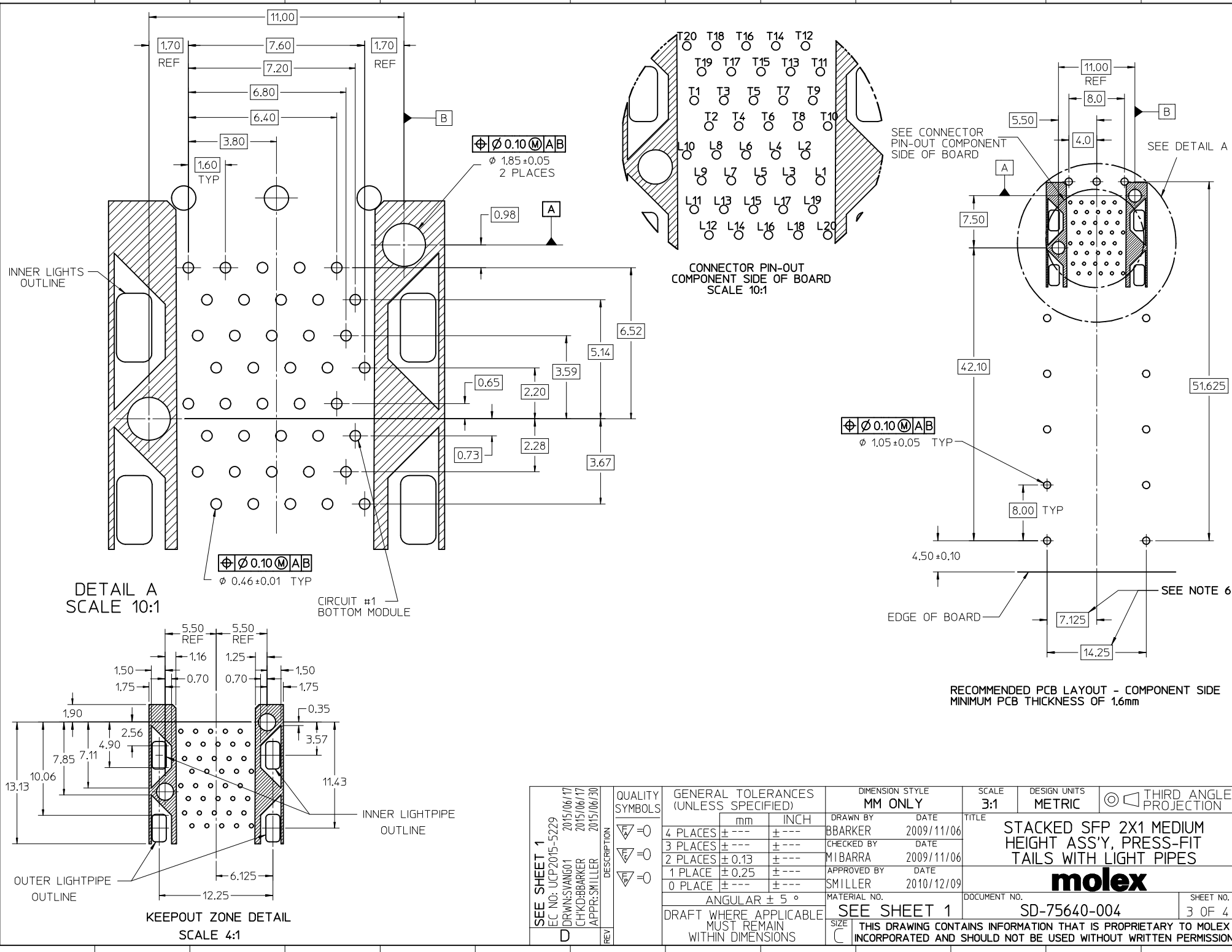


WITH INNER LIGHT PIPE PORTS



WITH OUTER LIGHT PIPE PORTS

SEE SHEET 1 EC NO: UCP2015-5229 DRWNS:VANG01 2015/06/17 CHKD:BBARKER 2015/06/17 APPR:SMILLER 2015/06/30	QUALITY SYMBOLS $\nabla = 0$ $\nabla = 0$ $\nabla = 0$	GENERAL TOLERANCES (UNLESS SPECIFIED) <table border="1"> <thead> <tr> <th></th> <th>mm</th> <th>INCH</th> </tr> </thead> <tbody> <tr> <td>4 PLACES</td> <td><math>\pm 0.13</math></td> <td><math>\pm 0.005</math></td> </tr> <tr> <td>3 PLACES</td> <td><math>\pm 0.25</math></td> <td><math>\pm 0.010</math></td> </tr> <tr> <td>2 PLACES</td> <td><math>\pm 0.38</math></td> <td><math>\pm 0.015</math></td> </tr> <tr> <td>1 PLACE</td> <td><math>\pm 0.51</math></td> <td><math>\pm 0.020</math></td> </tr> <tr> <td>0 PLACE</td> <td><math>\pm 0.64</math></td> <td><math>\pm 0.025</math></td> </tr> </tbody> </table>		mm	INCH	4 PLACES	$\pm 0.13$	$\pm 0.005$	3 PLACES	$\pm 0.25$	$\pm 0.010$	2 PLACES	$\pm 0.38$	$\pm 0.015$	1 PLACE	$\pm 0.51$	$\pm 0.020$	0 PLACE	$\pm 0.64$	$\pm 0.025$	DIMENSION STYLE MM ONLY DRAWN BY DATE BBARKER 2009/11/06 CHECKED BY DATE MIBARRA 2009/11/06 APPROVED BY DATE SMILLER 2010/12/09	SCALE 3:1 DESIGN UNITS METRIC THIRD ANGLE PROJECTION	TITLE STACKED SFP 2X1 MEDIUM HEIGHT ASS'Y, PRESS-FIT TAILS WITH LIGHT PIPES <b>molex</b>
		mm	INCH																				
	4 PLACES	$\pm 0.13$	$\pm 0.005$																				
	3 PLACES	$\pm 0.25$	$\pm 0.010$																				
2 PLACES	$\pm 0.38$	$\pm 0.015$																					
1 PLACE	$\pm 0.51$	$\pm 0.020$																					
0 PLACE	$\pm 0.64$	$\pm 0.025$																					
DRAFT WHERE APPLICABLE MUST REMAIN WITHIN DIMENSIONS	ANGULAR $\pm 5^\circ$	MATERIAL NO. SEE SHEET 1	DOCUMENT NO. SD-75640-004	SHEET NO. 2 OF 4	THIS DRAWING CONTAINS INFORMATION THAT IS PROPRIETARY TO MOLEX INCORPORATED AND SHOULD NOT BE USED WITHOUT WRITTEN PERMISSION																		
REV: D	DESCRIPTION	SIZE C																					



DETAIL A  
SCALE 10:1

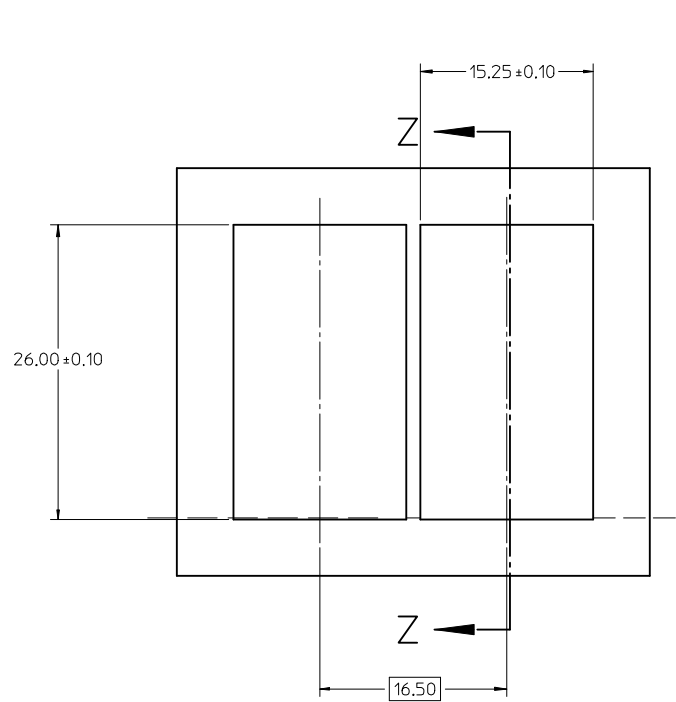
KEEPOUT ZONE DETAIL  
SCALE 4:1

CONNECTOR PIN-OUT  
COMPONENT SIDE OF BOARD  
SCALE 10:1

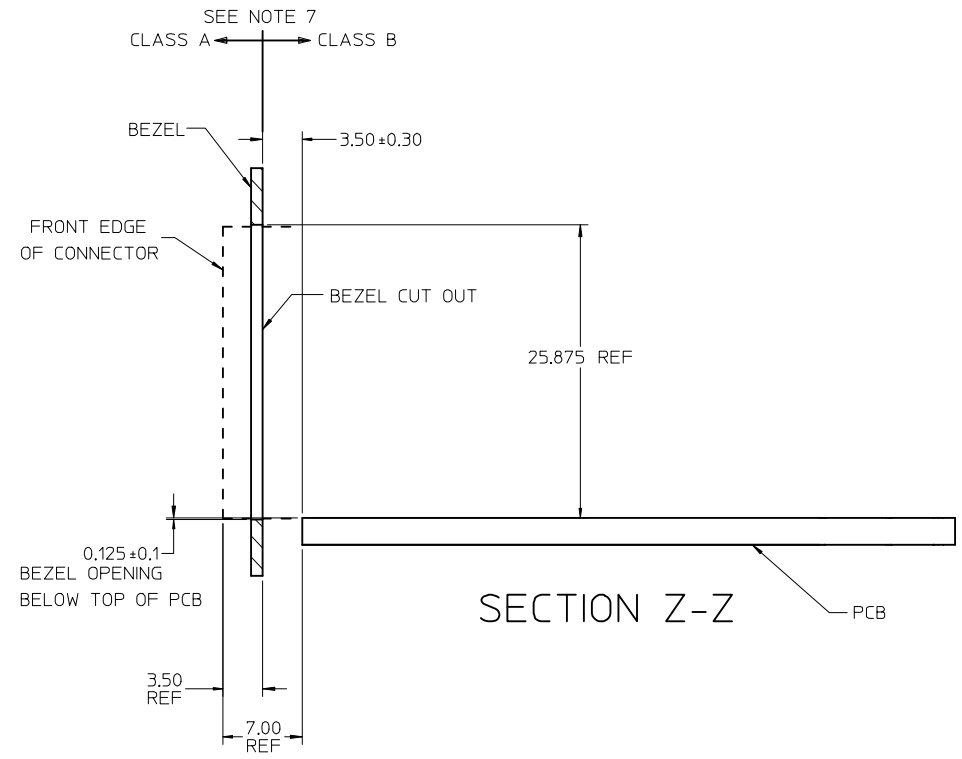
RECOMMENDED PCB LAYOUT - COMPONENT SIDE  
MINIMUM PCB THICKNESS OF 1.6mm

SEE SHEET 1 EC NO: UCP2015-5229 DRAWN BY: DRWNSVANG01 2015/06/17 CHECKED BY: CHYKD-BARKER 2015/06/17 APPROVED BY: APPR-SMILLER 2015/06/30	QUALITY SYMBOLS ▽=0 ▽=0 ▽=0	GENERAL TOLERANCES (UNLESS SPECIFIED)		DIMENSION STYLE MM ONLY		SCALE 3:1	DESIGN UNITS METRIC	THIRD ANGLE PROJECTION	
		mm	INCH	DRAWN BY BBARKER	DATE 2009/11/06	TITLE STACKED SFP 2X1 MEDIUM HEIGHT ASS'Y, PRESS-FIT TAILS WITH LIGHT PIPES			
REV D	DESCRIPTION	4 PLACES ± --- ± ---		CHECKED BY MIBARRA	DATE 2009/11/06	DOCUMENT NO. SD-75640-004			
		3 PLACES ± --- ± ---		APPROVED BY SMILLER	DATE 2010/12/09				
		2 PLACES ± 0.13 ± ---		MATERIAL NO.		SHEET NO. 3 OF 4			
		1 PLACE ± 0.25 ± ---		SEE SHEET 1					
		0 PLACE ± --- ± ---		THIS DRAWING CONTAINS INFORMATION THAT IS PROPRIETARY TO MOLEX INCORPORATED AND SHOULD NOT BE USED WITHOUT WRITTEN PERMISSION					
		ANGULAR ± 5 °							
		DRAFT WHERE APPLICABLE MUST REMAIN WITHIN DIMENSIONS							





BEZEL CUT-OUT CENTER SPACING DETAIL  
BEZEL THICKNESS 0.8-2.6



SEE SHEET 1 EC NO: UCP2015-5229 DRWNSVANG01 2015/06/17 CHKD:BBARKER 2015/06/17 APPR:SMILLER 2015/06/30	QUALITY SYMBOLS ∇=0 ∇=0 ∇=0	GENERAL TOLERANCES (UNLESS SPECIFIED)		DIMENSION STYLE <b>MM ONLY</b>		SCALE 3:1	DESIGN UNITS METRIC	THIRD ANGLE PROJECTION	
		4 PLACES ± --- ± ---	mm INCH	DRAWN BY BBARKER	DATE 2009/11/06	TITLE STACKED SFP 2X1 MEDIUM HEIGHT ASS'Y, PRESS-FIT TAILS WITH LIGHT PIPES			
		3 PLACES ± --- ± ---		CHECKED BY MIBARRA	DATE 2009/11/06	<b>molex</b>			
		2 PLACES ± 0.13 ± ---		APPROVED BY SMILLER	DATE 2010/12/09	MATERIAL NO. SEE SHEET 1	DOCUMENT NO. SD-75640-004		
		1 PLACE ± 0.25 ± ---		DRAFT WHERE APPLICABLE MUST REMAIN WITHIN DIMENSIONS		SHEET NO. 4 OF 4			
		0 PLACE ± --- ± ---		THIS DRAWING CONTAINS INFORMATION THAT IS PROPRIETARY TO MOLEX INCORPORATED AND SHOULD NOT BE USED WITHOUT WRITTEN PERMISSION					