



Chipsmall Limited consists of a professional team with an average of over 10 year of expertise in the distribution of electronic components. Based in Hongkong, we have already established firm and mutual-benefit business relationships with customers from,Europe,America and south Asia,supplying obsolete and hard-to-find components to meet their specific needs.

With the principle of “Quality Parts,Customers Priority,Honest Operation,and Considerate Service”,our business mainly focus on the distribution of electronic components. Line cards we deal with include Microchip,ALPS,ROHM,Xilinx,Pulse,ON,Everlight and Freescale. Main products comprise IC,Modules,Potentiometer,IC Socket,Relay,Connector.Our parts cover such applications as commercial,industrial, and automotives areas.

We are looking forward to setting up business relationship with you and hope to provide you with the best service and solution. Let us make a better world for our industry!



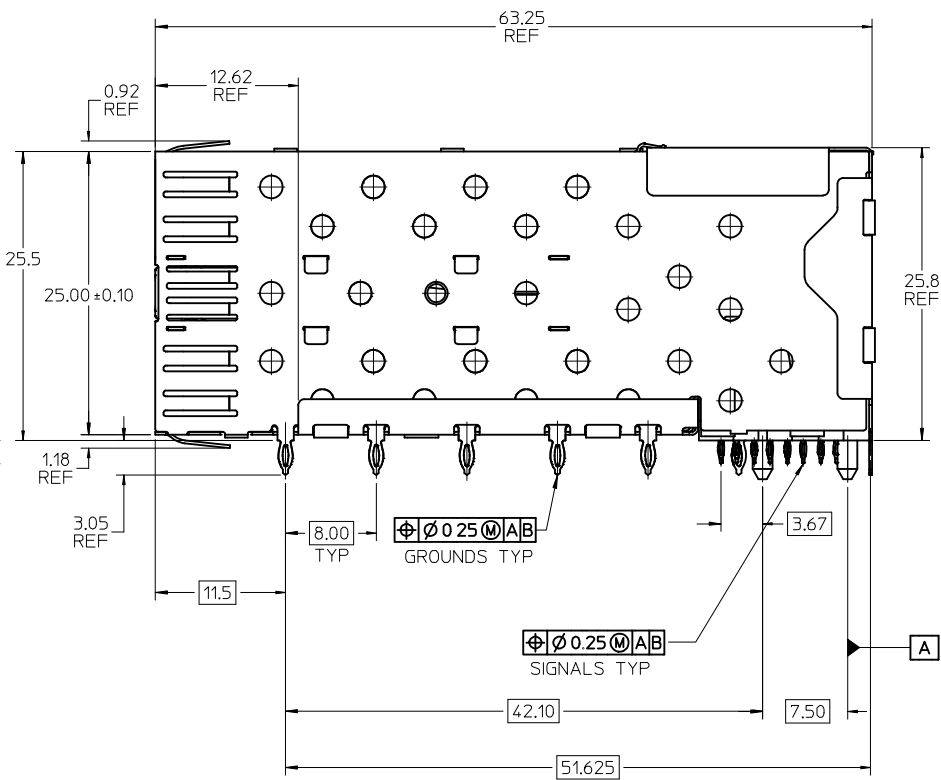
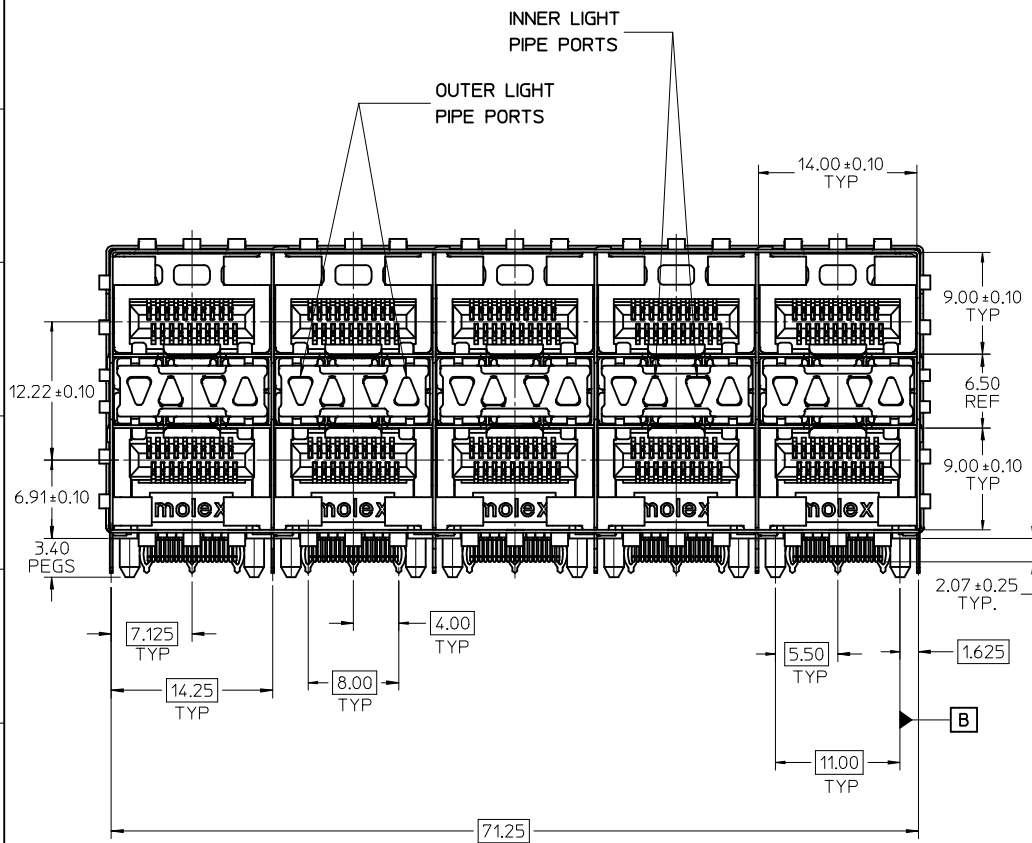
Contact us

Tel: +86-755-8981 8866 Fax: +86-755-8427 6832

Email & Skype: info@chipsmall.com Web: www.chipsmall.com

Address: A1208, Overseas Decoration Building, #122 Zhenhua RD., Futian, Shenzhen, China





NOTES:

- MATERIAL:
 CAGE: NICKEL SILVER, THICKNESS: 0.25mm
 CONNECTOR HOUSING: GLASS FILLED HIGH TEMP PLASTIC, 94 V-0
 COLOR: BLACK
 OVERMOLDED TERMINAL HOUSING: GLASS FILLED HIGH TEMP PLASTIC,
 94 V-0, COLOR: BLACK
 TERMINALS: TIN BRASS
 LIGHT PIPES: POLYCARBONITE, 94 V-0, COLOR: CLEAR
 LIGHT PIPE HOUSING: ZINC
- FINISH:
 CAGE ASSY: (ALTERNATE POST-PLATED) NICKEL (MATTE) 2-5 MICROMETERS NICKEL OVER 2 MICROMETERS COPPER BASE.
 LIGHT PIPE HOUSING: 150 MICROMETERS NICKEL OVER 150 MICROMETERS COPPER
 TERMINALS: CONTACT AREA: 0.76 MICRONS MINIMUM HARD GOLD OVER 1.27 MICROMETERS MINIMUM NICKEL.
 COMPLIANT AREA - TIN/LEAD OPTION: 0.76 - 1.52 MICROMETERS 90/10 TIN/LEAD OVER 0.76 - 1.52 MICROMETERS NICKEL
 COMPLIANT AREA - TIN OPTION: 0.76 - 1.52 MICROMETERS TIN OVER 0.76 - 1.52 MICROMETERS NICKEL
- REFER TO PS-75310-001 PRODUCT SPEC FOR ALL ELECTRICAL, MECHANICAL AND ENVIRONMENTAL SPECIFICATIONS.
- LIGHT PIPE PAD LAYOUT IS FOR LOW-PROFILE LED PACKAGE, FOR OTHER RECOMMENDED LAYOUTS REFER TO MOLEX'S REPORT TS-75310-001.
- REFER TO PK-75733-001 FOR ALL PACKAGING SPECIFICATIONS.
- THE CURVED TAILS THAT GO INTO THE HOLES LOCATED BY THESE DIMENSIONS ARE BEING ELIMINATED, TO ACCOMMODATE THIS CONVERSION, IT IS RECOMMENDED THAT BOARDS DESIGNED TO THIS PRINT REVISION INCLUDE THESE HOLES.
- PART COMPLIES WITH COSMETIC SPECIFICATION PS-45499-002. SEE SHEET 4 SECTION Z-Z FOR SURFACE CLASSIFICATIONS. UNDERSIDE OF CAGE COMPLIES WITH CLASS 'C'.

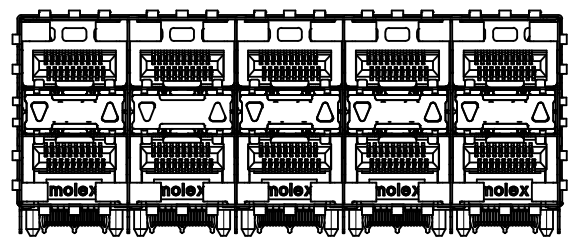
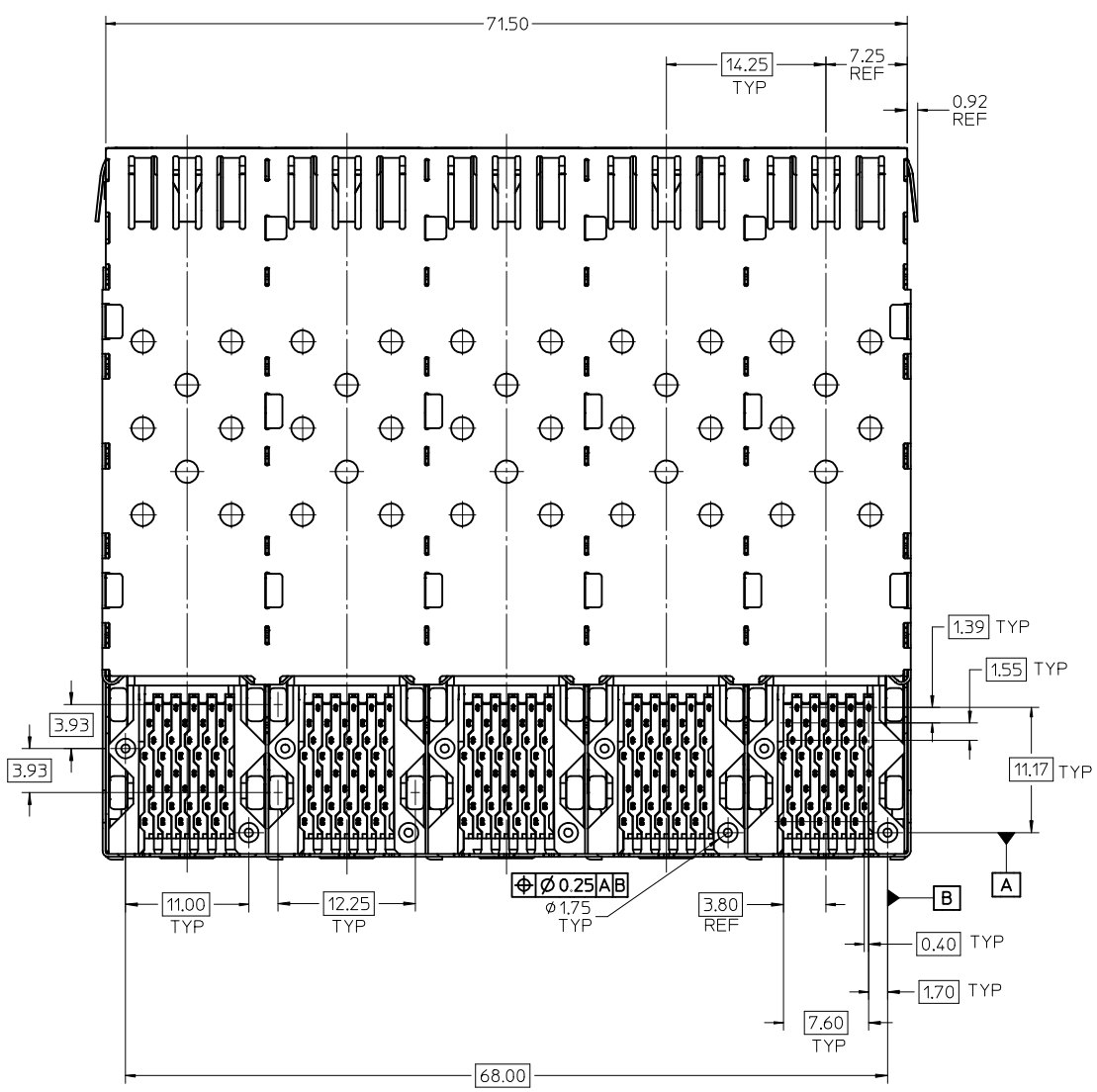
PART NUMBER	DESCRIPTION	VIEW	COMPLIANT TAIL PLATING	CAGE PLATING
757340001	4 PORT LIGHT PIPE	SEE PG 2	TIN / LEAD	N/A
757340002	INNER 2 PORTS	SEE PG 2	TIN / LEAD	N/A
757340003	OUTER 2 PORTS	SEE PG 2	TIN / LEAD	N/A
757345001	4 PORT LIGHT PIPE	SEE PG 2	TIN	N/A
757345002	INNER 2 PORTS	SEE PG 2	TIN	N/A
757345003	OUTER 2 PORTS	SEE PG 2	TIN	N/A
757341001	4 PORT LIGHT PIPE	SEE PG 2	TIN / LEAD	POST-PLATED

ADD KEEP OUT ZONES	EC NO: UCP2010-0369	7/2/09
	DRINKINS BARRA	2009/08/26
QUALITY SYMBOLS	CHKD:BBARKER	2009/08/26
	APPR:SMILLER	2009/08/27
REV	DESCRIPTION	

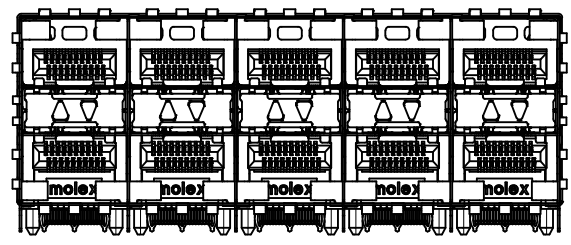
GENERAL TOLERANCES (UNLESS SPECIFIED)	
mm	INCH
4 PLACES ± ---	± ---
3 PLACES ± ---	± ---
2 PLACES ± 0.13	± ---
1 PLACE ± 0.25	± ---
ANGULAR ± 5 °	
DRAFT WHERE APPLICABLE MUST REMAIN WITHIN DIMENSIONS	

DIMENSION STYLE	
MM ONLY	
DRAWN BY	DATE
DROSCA	11/29/2004
CHECKED BY	DATE
JLONG	11/29/2004
APPROVED BY	DATE
RNELSON	11/29/2004
MATERIAL NO.	DOCUMENT NO.
SEE TABLE	SD-75734-001
SIZE	
C	

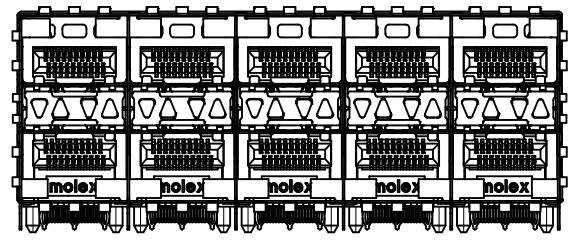
SCALE 3:1	DESIGN UNITS METRIC	THIRD ANGLE PROJECTION
STACKED SFP 2X5 MEDIUM HEIGHT ASS'Y, PRESS-FIT TAILS WITH LIGHT PIPES		
MOLEX INCORPORATED		
SHEET NO. 1 OF 4		



75734-0003 & 75734-5003
WITH OUTER LIGHT PIPES

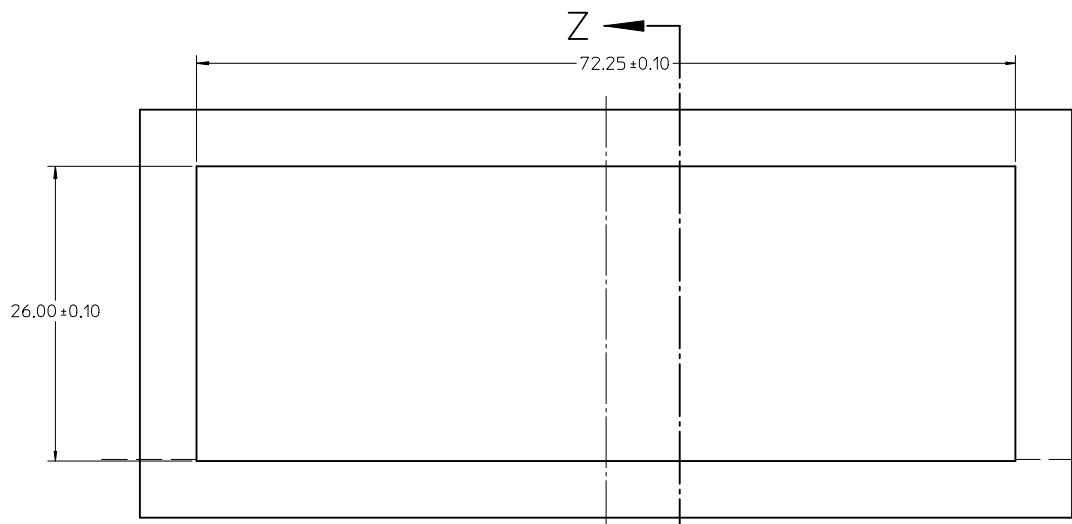


75734-0002 & 75734-5002
WITH INNER LIGHT PIPES

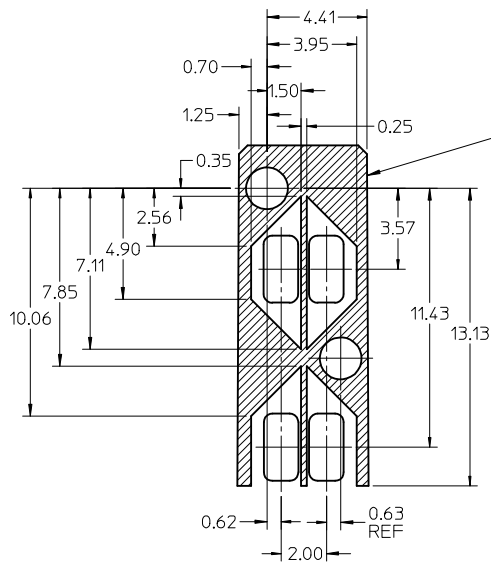
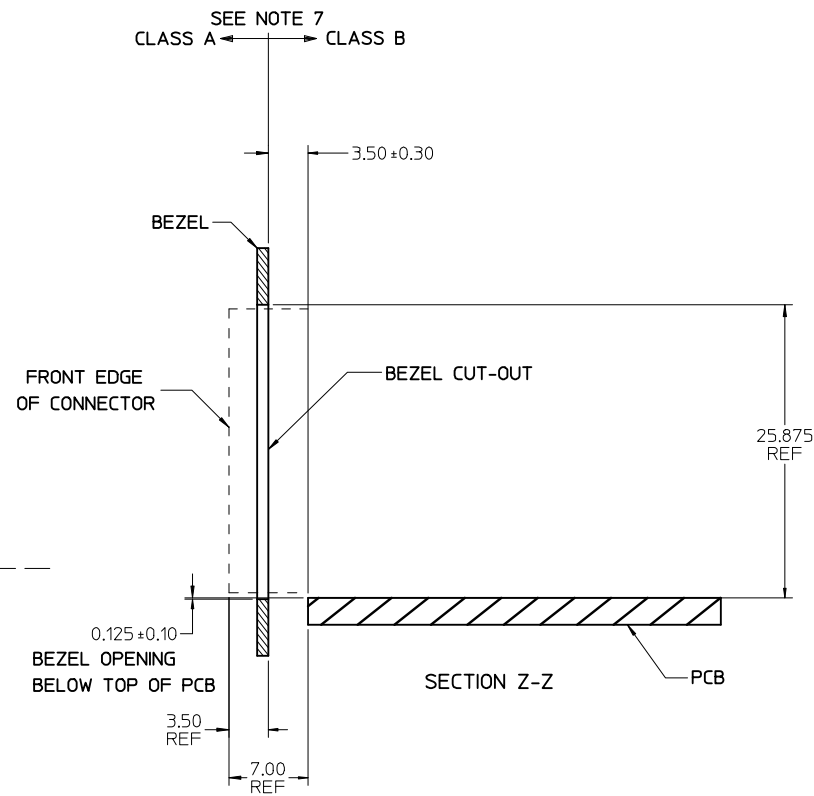


75734-0001 & 75734-5001
WITH INNER/OUTER LIGHT PIPES

SEE SHEET 1 EC NO: UCP2010-0369 7/2/09 DRWINMSI BARRA CHKD:BBARKER APPR:SMILLER 2009/08/26 2009/08/27	QUALITY SYMBOLS	GENERAL TOLERANCES (UNLESS SPECIFIED) <table border="1"> <thead> <tr> <th></th> <th>mm</th> <th>INCH</th> </tr> </thead> <tbody> <tr> <td>4 PLACES</td> <td>± 0.10</td> <td>± 0.004</td> </tr> <tr> <td>3 PLACES</td> <td>± 0.15</td> <td>± 0.006</td> </tr> <tr> <td>2 PLACES</td> <td>± 0.20</td> <td>± 0.008</td> </tr> <tr> <td>1 PLACE</td> <td>± 0.25</td> <td>± 0.010</td> </tr> </tbody> </table> ANGULAR ± 5°		mm	INCH	4 PLACES	± 0.10	± 0.004	3 PLACES	± 0.15	± 0.006	2 PLACES	± 0.20	± 0.008	1 PLACE	± 0.25	± 0.010	DIMENSION STYLE	SCALE	DESIGN UNITS	THIRD ANGLE PROJECTION STACKED SFP 2X5 MEDIUM HEIGHT ASS'Y, PRESS-FIT TAILS WITH LIGHT PIPES MOLEX INCORPORATED SD-75734-001 SHEET NO. 2 OF 4
			mm	INCH																	
	4 PLACES		± 0.10	± 0.004																	
	3 PLACES		± 0.15	± 0.006																	
2 PLACES	± 0.20	± 0.008																			
1 PLACE	± 0.25	± 0.010																			
▼=0 ▽=0	MM ONLY	3:1	METRIC																		
DRAFT WHERE APPLICABLE MUST REMAIN WITHIN DIMENSIONS	DRAWN BY DATE DROSCA 11/29/2004 CHECKED BY DATE JLONG 11/29/2004 APPROVED BY DATE RNELSON 11/29/2004	MATERIAL NO. SEE TABLE	DOCUMENT NO. SD-75734-001																		
THIS DRAWING CONTAINS INFORMATION THAT IS PROPRIETARY TO MOLEX INCORPORATED AND SHOULD NOT BE USED WITHOUT WRITTEN PERMISSION	SIZE C	MOLEX	MOLEX INCORPORATED																		



BEZEL CUT-OUT OPENING DETAIL
BEZEL THICKNESS 0.8 - 2.6



THE HATCHED AREA IN THIS VIEW INDICATES ZONES THAT ARE OCCUPIED BY THE PLASTIC HOUSING THAT SEATS AGAINST THE PCB AND BY THE VERTICAL METAL CAGE WALL THAT STOPS JUST SHORT OF THE PCB

DETAIL - LIGHTPIPE LOCATION AND OTHER ZONES
SCALE 6:1

SEE SHEET 1 EC NO: UCP2010-0369 7/2/09 DRAWN: SIBARRA CHKD: BARKER APPR: SWILLER 2009/08/26 2009/08/27	QUALITY SYMBOLS ▽=0 ▽=0	GENERAL TOLERANCES (UNLESS SPECIFIED)		DIMENSION STYLE MM ONLY	SCALE 3:1	DESIGN UNITS METRIC	THIRD ANGLE PROJECTION			
		4 PLACES ± --- ± ---	3 PLACES ± --- ± ---	2 PLACES ± 0.13 ± ---	1 PLACE ± 0.25 ± ---	DRAWN BY DROSCA	DATE 11/29/2004	CHECKED BY JLONG	DATE 11/29/2004	APPROVED BY RNELSON
DRAFT WHERE APPLICABLE MUST REMAIN WITHIN DIMENSIONS		ANGULAR ± 5 °		SEE TABLE	MATERIAL NO. DOCUMENT NO.		MOLEX INCORPORATED			
				SIZE C	THIS DRAWING CONTAINS INFORMATION THAT IS PROPRIETARY TO MOLEX INCORPORATED AND SHOULD NOT BE USED WITHOUT WRITTEN PERMISSION		SHEET NO. 4 OF 4			