



Chipsmall Limited consists of a professional team with an average of over 10 year of expertise in the distribution of electronic components. Based in Hongkong, we have already established firm and mutual-benefit business relationships with customers from,Europe,America and south Asia,supplying obsolete and hard-to-find components to meet their specific needs.

With the principle of “Quality Parts,Customers Priority,Honest Operation,and Considerate Service”,our business mainly focus on the distribution of electronic components. Line cards we deal with include Microchip,ALPS,ROHM,Xilinx,Pulse,ON,Everlight and Freescale. Main products comprise IC,Modules,Potentiometer,IC Socket,Relay,Connector.Our parts cover such applications as commercial,industrial, and automotives areas.

We are looking forward to setting up business relationship with you and hope to provide you with the best service and solution. Let us make a better world for our industry!



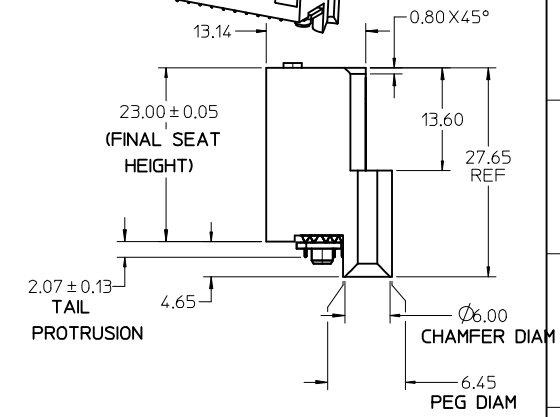
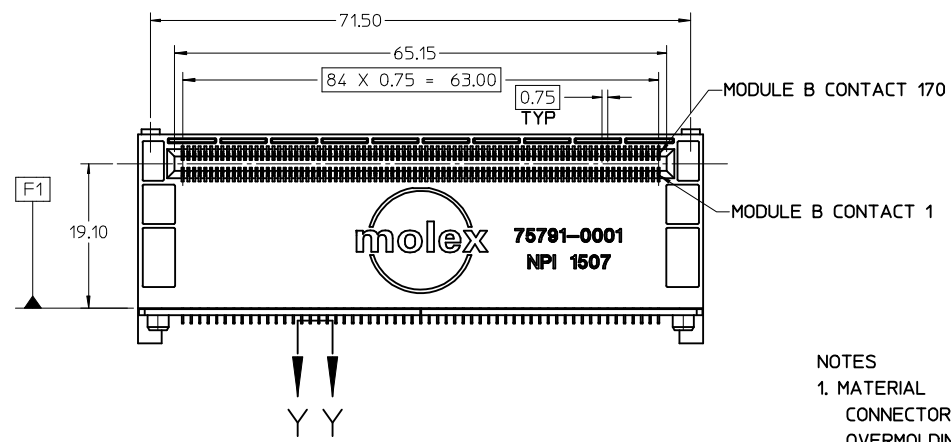
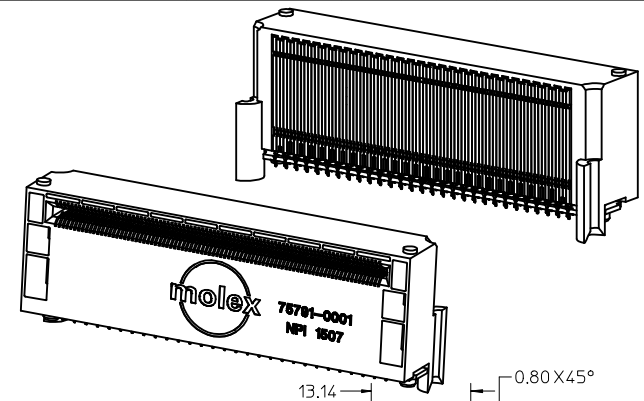
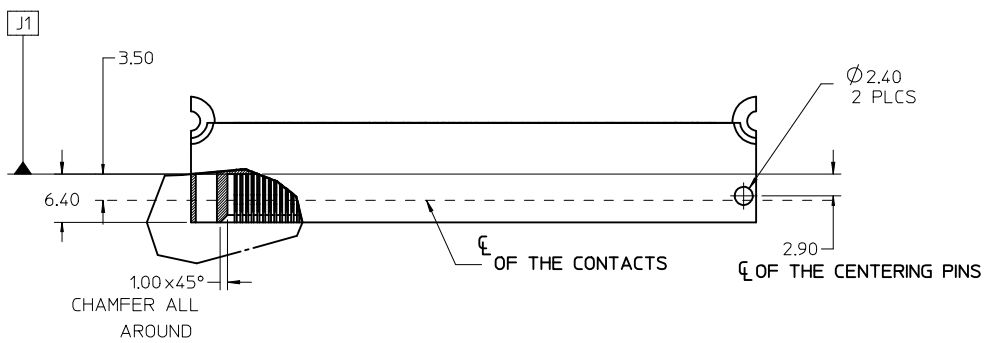
## Contact us

Tel: +86-755-8981 8866 Fax: +86-755-8427 6832

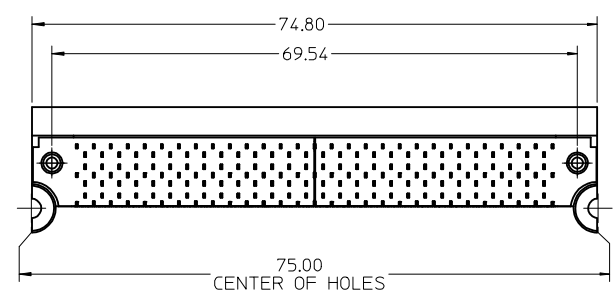
Email & Skype: info@chipsmall.com Web: www.chipsmall.com

Address: A1208, Overseas Decoration Building, #122 Zhenhua RD., Futian, Shenzhen, China





SECTION Y-Y  
TERMINAL TAIL  
CROSS SECTION



- NOTES
- MATERIAL  
CONNECTOR HOUSING: GLASS FILLED LCP, 94 V-0, COLOR BLACK  
OVERMOLDING ON TERMINAL: GLASS FILLED LCP, COLOR: BLACK  
TERMINALS: COPPER ALLOY, SPRING TEMPER
  - TERMINAL FINISH: CONTACT AREA: 0.754m MIN. HARD GOLD  
OVER 1.254m MIN. NICKEL.  
75791-0001 COMPLIANT AREA: 0.75-1.504m TIN  
OVER 0.75-1.504m NICKEL  
75791-0002 COMPLIANT AREA: 0.75-1.504m 90/10  
TIN LEAD OVER 0.75-1.504m NICKEL
  - REFER TO PS-75800-001 PRODUCT SPEC FOR ALL ELECTRICAL, MECHANICAL  
AND ENVIROMENTAL SPECIFICATIONS.
  - REFER TO PK-75791-001 FOR ALL PACKAGING SPECIFICATIONS.
  - REFER TO AS-75800-001 FOR BOARD APPLICATION INFORMATION.
  - DATE CODE AND PART NUMBER TO BE LASER ETCHED OR APPLIED BY A LABEL.  
INFO TO INCLUDE PART NUMBER, MANUFACTURING FACILITY AND DATE CODE  
IN THE FORMAT OF WEEK AND LAST TWO DIGITS OF THE YEAR, WWYY.

PART NUMBER	COMPLIANT TAIL PLATING
75791-0001	TIN
75791-0002	90/10 TIN LEAD

SOLID MODEL NUMBER  
EM-75791-001

ADDED LABEL OPTION  
EC NO: UCP2009-1176  
DRAWN/HAVERY 2008/11/07  
CHKD: 2008/11/11  
APPR: MBANAKIS 2008/11/12

QUALITY SYMBOLS  
▽=0  
▽=0

GENERAL TOLERANCES (UNLESS SPECIFIED)

	mm	INCH
4 PLACES	± ---	± ---
3 PLACES	± ---	± .005
2 PLACES	± 0.13	± .010
1 PLACE	± 0.25	± ---

ANGULAR ±1/2°

DRAFT WHERE APPLICABLE  
MUST REMAIN  
WITHIN DIMENSIONS

DIMENSION STYLE  
MM ONLY

DRAWN BY DATE

CHECKED BY DATE

APPROVED BY DATE

MATERIAL NO.  
SEE CHART

SIZE C

SCALE  
2:1

DESIGN UNITS  
METRIC

THIRD ANGLE PROJECTION

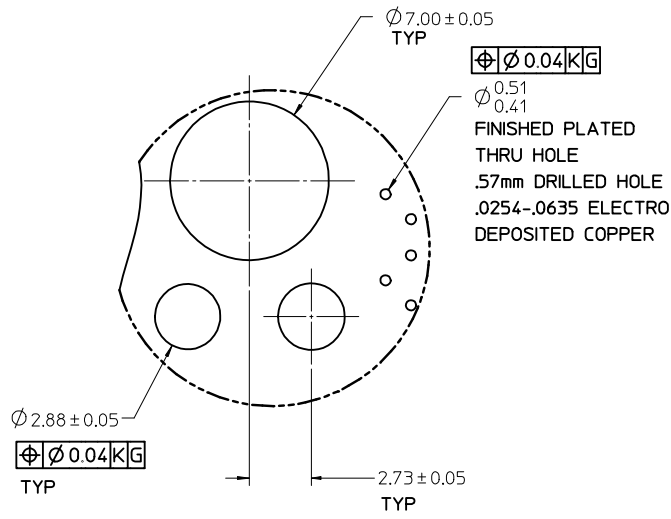
ADVANCED MC B+ TALL  
STYLE CONNECTOR SALES  
DRAWING

molex MOLEX INCORPORATED

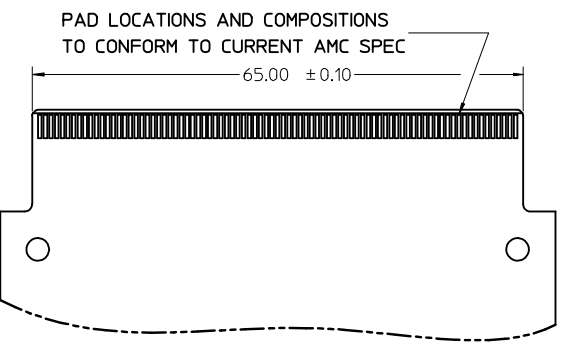
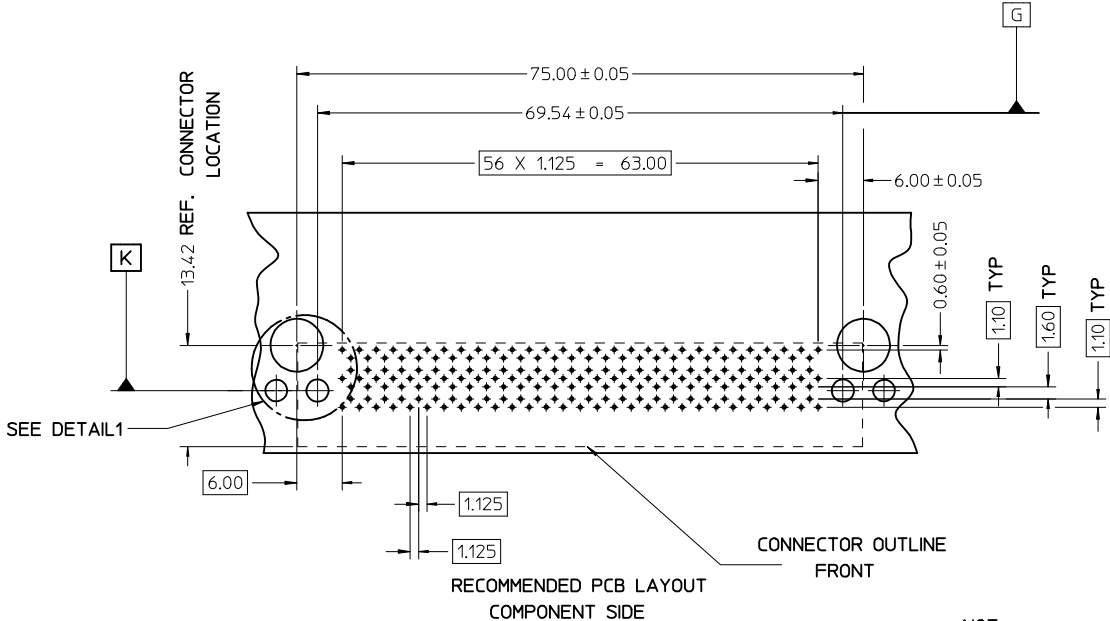
DOCUMENT NO. SD-75791-001

SHEET NO.  
1 OF 2

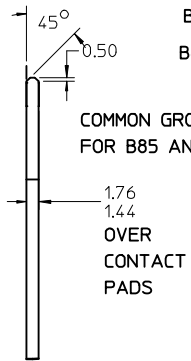
THIS DRAWING CONTAINS INFORMATION THAT IS PROPRIETARY TO MOLEX  
INCORPORATED AND SHOULD NOT BE USED WITHOUT WRITTEN PERMISSION



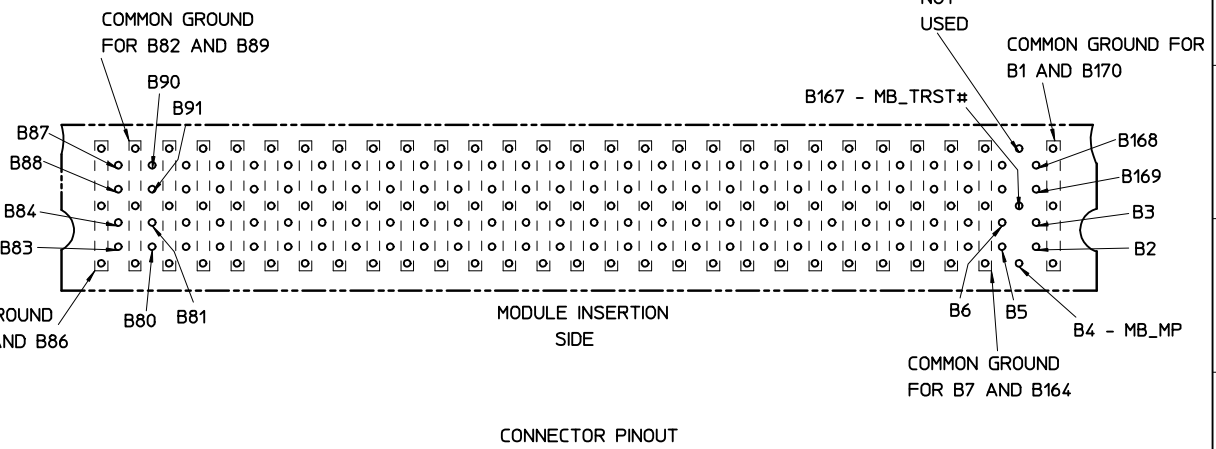
DETAIL1  
SCALE 6:1



PARTIAL1  
SCALE 2:1



PARTIAL2  
SCALE 2:1



SEE SHEET 1 EC NO: UCP2009-1176 DRW: HAVERY CHKD: 2008/11/11 APPR: MBANAKIS 2008/11/12	QUALITY SYMBOLS $\nabla = 0$ $\nabla = 0$	GENERAL TOLERANCES (UNLESS SPECIFIED) <table border="1"> <tr> <th></th> <th>mm</th> <th>INCH</th> </tr> <tr> <td>4 PLACES</td> <td>± ---</td> <td>± ---</td> </tr> <tr> <td>3 PLACES</td> <td>± ---</td> <td>± .005</td> </tr> <tr> <td>2 PLACES</td> <td>± 0.13</td> <td>± .010</td> </tr> <tr> <td>1 PLACE</td> <td>± 0.25</td> <td>± ---</td> </tr> </table>		mm	INCH	4 PLACES	± ---	± ---	3 PLACES	± ---	± .005	2 PLACES	± 0.13	± .010	1 PLACE	± 0.25	± ---	DIMENSION STYLE <b>MM ONLY</b> DRAWN BY: _____ DATE: _____ CHECKED BY: _____ DATE: _____ APPROVED BY: _____ DATE: _____	SCALE <b>2:1</b> DESIGN UNITS <b>METRIC</b> THIRD ANGLE PROJECTION	TITLE <b>ADVANCED MC B+ TALL STYLE CONNECTOR SALES DRAWING</b> MOLEX INCORPORATED DOCUMENT NO. SD-75791-001 SHEET NO. 2 OF 2
		mm	INCH																	
	4 PLACES	± ---	± ---																	
	3 PLACES	± ---	± .005																	
2 PLACES	± 0.13	± .010																		
1 PLACE	± 0.25	± ---																		
DRAFT WHERE APPLICABLE MUST REMAIN WITHIN DIMENSIONS	MATERIAL NO. <b>SEE CHART PG1</b>	THIS DRAWING CONTAINS INFORMATION THAT IS PROPRIETARY TO MOLEX INCORPORATED AND SHOULD NOT BE USED WITHOUT WRITTEN PERMISSION																		