



Chipsmall Limited consists of a professional team with an average of over 10 year of expertise in the distribution of electronic components. Based in Hongkong, we have already established firm and mutual-benefit business relationships with customers from,Europe,America and south Asia,supplying obsolete and hard-to-find components to meet their specific needs.

With the principle of “Quality Parts,Customers Priority,Honest Operation,and Considerate Service”,our business mainly focus on the distribution of electronic components. Line cards we deal with include Microchip,ALPS,ROHM,Xilinx,Pulse,ON,Everlight and Freescale. Main products comprise IC,Modules,Potentiometer,IC Socket,Relay,Connector.Our parts cover such applications as commercial,industrial, and automotives areas.

We are looking forward to setting up business relationship with you and hope to provide you with the best service and solution. Let us make a better world for our industry!



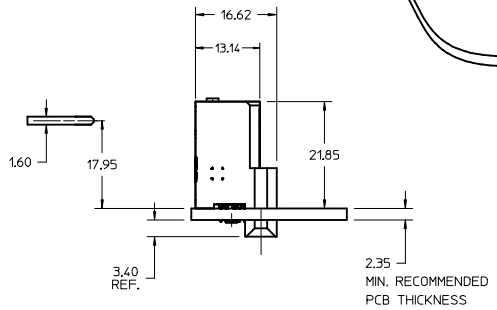
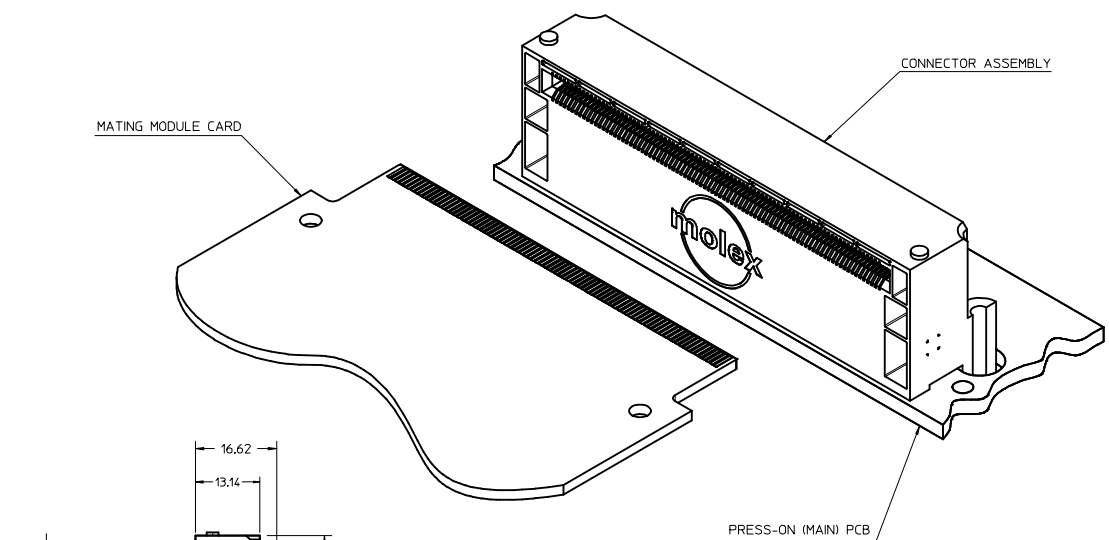
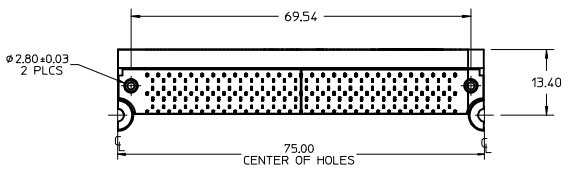
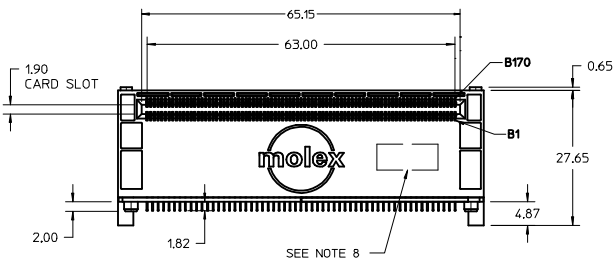
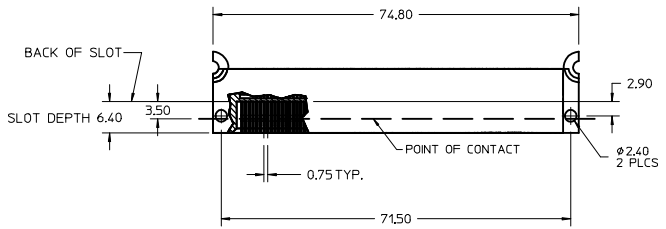
## Contact us

Tel: +86-755-8981 8866 Fax: +86-755-8427 6832

Email & Skype: info@chipsmall.com Web: www.chipsmall.com

Address: A1208, Overseas Decoration Building, #122 Zhenhua RD., Futian, Shenzhen, China





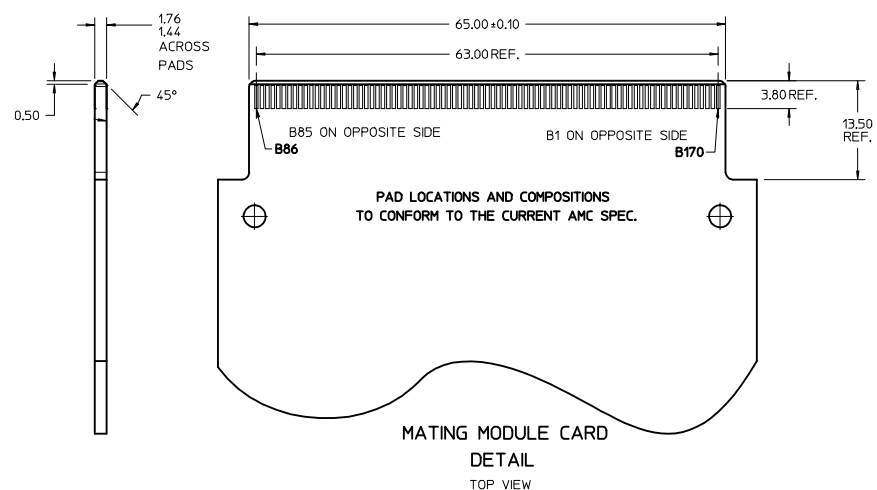
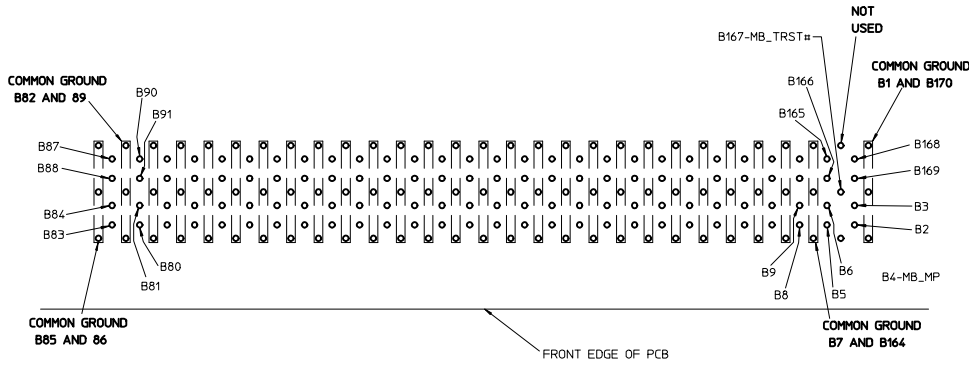
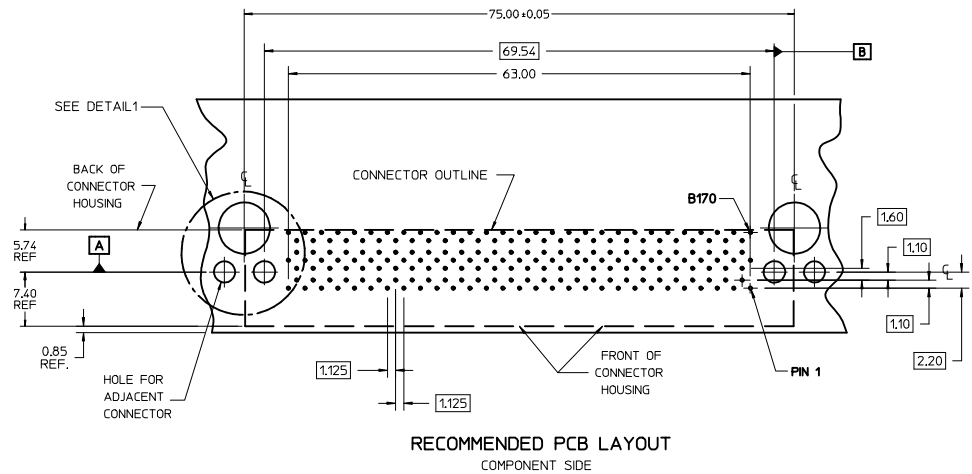
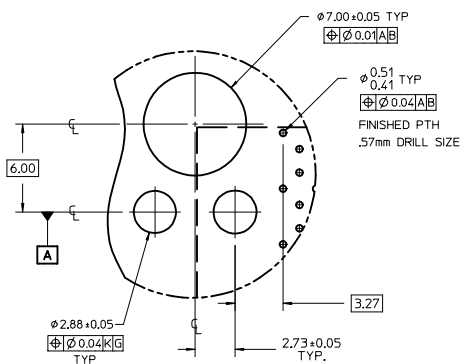
**PRODUCT IS RoHS COMPLIANT**

- NOTES:
- MATERIAL  
CONNECTOR HOUSING: GLASS FILLED LCP, 94 V-0  
COLOR: BLACK  
WAFERS: GLASS FILLED LCP  
COLOR: BLACK,  
TERMINALS: HIGH PERFORMANCE COPPER ALLOY
  - FINISH:  
CONTACT AREA: 0.75H MIN. HARD GOLD  
OVER 1.25H MIN. NICKEL  
COMPLIANT AREA: 0.75-1.50H MIN (LEAD-FREE)  
OVER 1.25H MIN. NICKEL
  - REFER TO PS-75800-001 PRODUCT SPEC FOR ALL ELECTRICAL, MECHANICAL, AND ENVIRONMENTAL SPECIFICATIONS.
  - REFER TO PK-75800-203 FOR ALL PACKAGING SPECIFICATIONS.
  - REFER TO AS-75800-999 FOR BOARD APPLICATION INFORMATION.
  - REFER TO AS-75800-002 FOR BOARD LAYOUT ROUTING RECOMMENDATIONS.
  - REFER TO AS-75800-003 FOR SI GUIDELINE FIXTURE DEFINITIONS.
  - DATE CODE AND PART NUMBER TO BE LASER ETCHED IN APPROXIMATE LOCATION SHOWN OR APPLIED BY LABEL. INFO TO INCLUDE PART NUMBER, MANUFACTURING FACILITY AND DATE CODE IN THE FORMAT OF WEEK AND LAST TWO DIGITS OF THE YEAR, WWYY.

<b>REDRAWN</b> EC NO: UCP2013-4165 2013/03/21 DRWNS:BRIGLEL CHKD: APPR:MBANKS 2013/03/28	QUALITY SYMBOLS	GENERAL TOLERANCES (UNLESS SPECIFIED)	DIMENSION STYLE	SCALE	DESIGN UNITS	THIRD ANGLE PROJECTION
	▽=0	4 PLACES ± mm ± INCH	MM ONLY	2:1	METRIC	☉
	▽=0	3 PLACES ± 0.05				
	▽=0	2 PLACES ± 0.13 ± 0.10				
	1 PLACE ± 0.25 ± ---					
	0 PLACE ±					
		ANGULAR ±1/2°				
		DRAFT WHERE APPLICABLE MUST REMAIN WITHIN DIMENSIONS				
			MATERIAL NO.	DOCUMENT NO.		
			75800-0001	SD-75800-001		
						SHEET NO. 1 OF 2

**ADVANCED MC (AMC) B+ STYLE CONNECTOR**

**moLEX**



SEE SHEET 1 IEC NO: UCP2013-4165 DRAWN: SBOGIEL CHKD: APPR: MBANKS 2013/03/28	QUALITY SYMBOLS	GENERAL TOLERANCES (UNLESS SPECIFIED)	DIMENSION STYLE	SCALE	DESIGN UNITS	THIRD ANGLE PROJECTION																		
	$\nabla=0$ $\nabla=0$ $\nabla=0$	<table border="1"> <tr> <th></th> <th>mm</th> <th>INCH</th> </tr> <tr> <td>4 PLACES</td> <td>±---</td> <td>±---</td> </tr> <tr> <td>3 PLACES</td> <td>±---</td> <td>±.005</td> </tr> <tr> <td>2 PLACES</td> <td>±0.13</td> <td>±.010</td> </tr> <tr> <td>1 PLACE</td> <td>±0.25</td> <td>±---</td> </tr> <tr> <td>0 PLACE</td> <td>±</td> <td>±</td> </tr> </table>		mm	INCH	4 PLACES	±---	±---	3 PLACES	±---	±.005	2 PLACES	±0.13	±.010	1 PLACE	±0.25	±---	0 PLACE	±	±	MM ONLY	2:1	METRIC	
		mm	INCH																					
	4 PLACES	±---	±---																					
3 PLACES	±---	±.005																						
2 PLACES	±0.13	±.010																						
1 PLACE	±0.25	±---																						
0 PLACE	±	±																						
DRAWN BY: HAVERY CHECKED BY: APPROVED BY:	DATE: 2006/08/30 DATE: DATE:	TITLE: ADVANCED MC (AMC) B+ STYLE CONNECTOR																						
	MATERIAL NO: 75800-0001 SIZE: D	DOCUMENT NO: SD-75800-001																						