



Chipsmall Limited consists of a professional team with an average of over 10 year of expertise in the distribution of electronic components. Based in Hongkong, we have already established firm and mutual-benefit business relationships with customers from,Europe,America and south Asia,supplying obsolete and hard-to-find components to meet their specific needs.

With the principle of “Quality Parts,Customers Priority,Honest Operation,and Considerate Service”,our business mainly focus on the distribution of electronic components. Line cards we deal with include Microchip,ALPS,ROHM,Xilinx,Pulse,ON,Everlight and Freescale. Main products comprise IC,Modules,Potentiometer,IC Socket,Relay,Connector.Our parts cover such applications as commercial,industrial, and automotives areas.

We are looking forward to setting up business relationship with you and hope to provide you with the best service and solution. Let us make a better world for our industry!



Contact us

Tel: +86-755-8981 8866 Fax: +86-755-8427 6832

Email & Skype: info@chipsmall.com Web: www.chipsmall.com

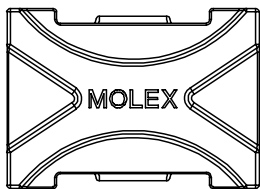
Address: A1208, Overseas Decoration Building, #122 Zhenhua RD., Futian, Shenzhen, China



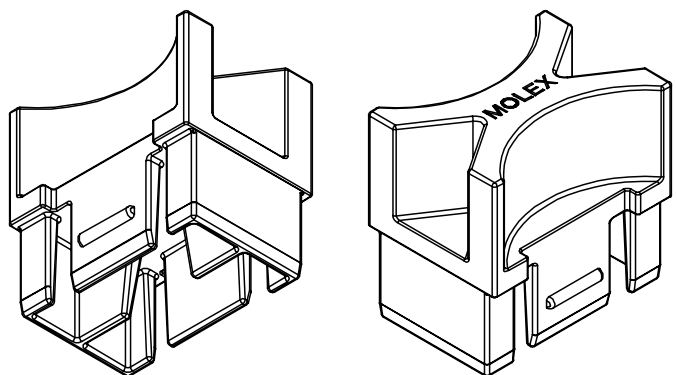
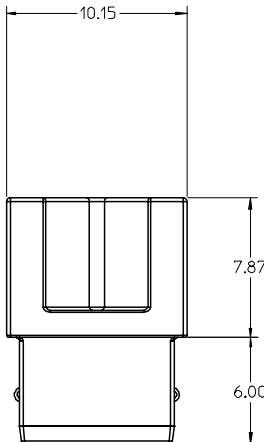
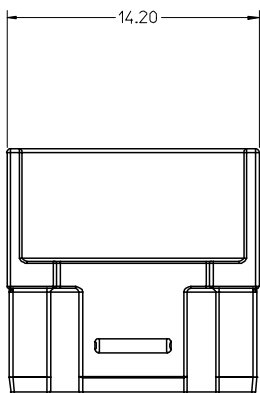
13 12 11 10 9 8 7 6 5 4 3 2 1

J
I
H
G
F
E
D
C
B
A

J
I
H
G
F
E
D
C
B
A



- NOTES:
 1. MATERIAL: POLYESTER, UL94V-0, COLOR: BLACK.
 2. PART COMPLIES WITH CLASS B OF COSMETIC SPECIFICATION PS-45499-002.
 3. PACKAGED PER PK-75951-001.



INITIAL RELEASE EC NO: UCP2007-2710 DRAWN BY: MIBARRA 2007/06/07 CHKD: BBARKER 2007/06/05 APPR: SMILLER 2007/06/07 REVISIONS A	QUALITY SYMBOLS ▽=0 ▽=0 ▽=6	GENERAL TOLERANCES (UNLESS SPECIFIED)		DIMENSION STYLE MM ONLY		SCALE 5:1	DESIGN UNITS METRIC	THIRD ANGLE PROJECTION			
		4 PLACES ± 0.15 ± 0.006	3 PLACES ± 0.13 ± 0.005	2 PLACES ± 0.13 ± 0.005	1 PLACE ± 0.25 ± 0.010	ANGULAR ±1/2°	DRAWN BY MIBARRA	DATE 2007/04/30	TITLE SFP DUST PLUG		
		DRAFT WHERE APPLICABLE MUST REMAIN WITHIN DIMENSIONS		MATERIAL NO. 75951-0999	MOLEX INCORPORATED		DOCUMENT NO. SD-75951-999	SHEET NO. 1 OF 1			
		THIS DRAWING CONTAINS INFORMATION THAT IS PROPRIETARY TO MOLEX INCORPORATED AND SHOULD NOT BE USED WITHOUT WRITTEN PERMISSION									

12 11 10 9 8 7 6 5 4 3 2 1