



Chipsmall Limited consists of a professional team with an average of over 10 year of expertise in the distribution of electronic components. Based in Hongkong, we have already established firm and mutual-benefit business relationships with customers from,Europe,America and south Asia,supplying obsolete and hard-to-find components to meet their specific needs.

With the principle of "Quality Parts,Customers Priority,Honest Operation,and Considerate Service",our business mainly focus on the distribution of electronic components. Line cards we deal with include Microchip,ALPS,ROHM,Xilinx,Pulse,ON,Everlight and Freescale. Main products comprise IC,Modules,Potentiometer,IC Socket,Relay,Connector.Our parts cover such applications as commercial,industrial, and automotives areas.

We are looking forward to setting up business relationship with you and hope to provide you with the best service and solution. Let us make a better world for our industry!



Contact us

Tel: +86-755-8981 8866 Fax: +86-755-8427 6832

Email & Skype: info@chipsmall.com Web: www.chipsmall.com

Address: A1208, Overseas Decoration Building, #122 Zhenhua RD., Futian, Shenzhen, China



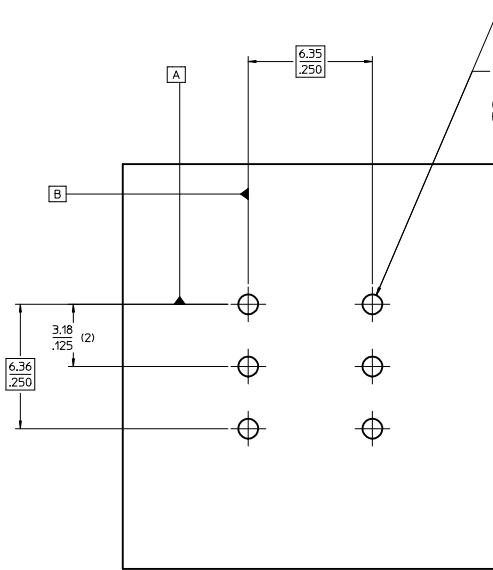
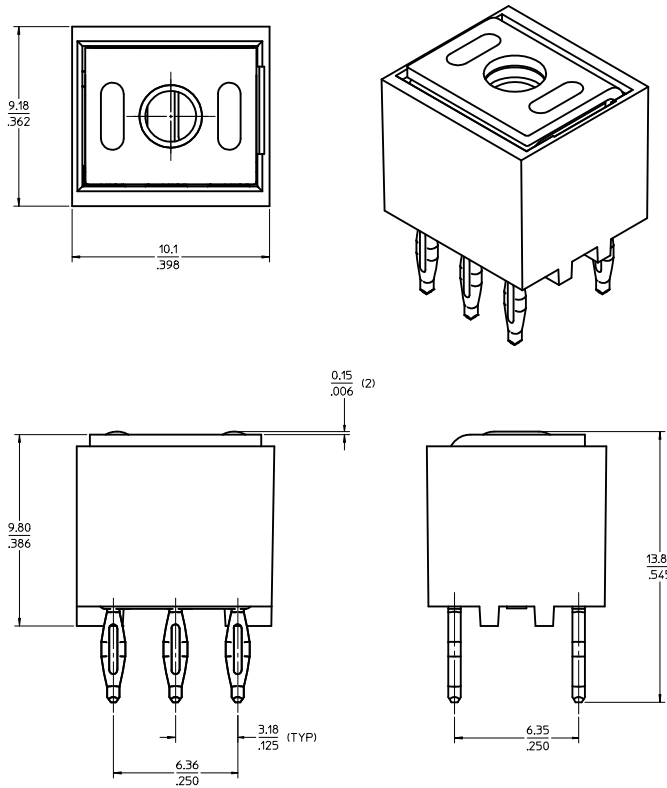
RECOMMENDED MOUNTING HARDWARE

PCB THICKNESS	SCREW LENGTH	SCREW SIZE	FLAT WASHER SPEC.S (DIN 9021)	BELLEVILLE WASHER SPEC.S (DIN 6796)
0.063"	6.0mm	M3	MAT'L: STAINLESS STEEL WASHER OUTER DIA.: 9.0mm WASHER INNER DIA.: 3.2mm	MAT'L: STAINLESS STEEL WASHER OUTER DIA.: 7.0mm WASHER INNER DIA.: 3.2mm
0.093"	8.0mm	M3	WASHER THICKNESS: 0.7mm	WASHER THICKNESS: 0.6mm
0.125"	8.0mm	M3	WASHER THICKNESS: 0.7mm	WASHER THICKNESS: 0.6mm

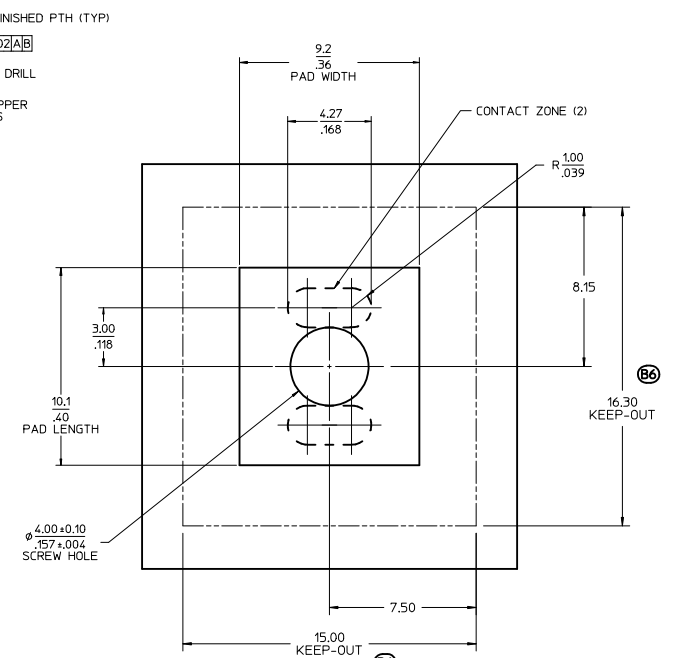
NOTES:

1. MATERIAL: LCP, GLASS FILLED, BLACK, CONTACTS: COPPER ALLOY
2. PLATING: SEE CHART
3. PRODUCT SPECIFICATION: PS-76001-002.
4. PACKAGING SPECIFICATION: PK-76001-901.
5. TO REMOVE FROM PCB, SEE Z-POWER EXTRACTION TOOL INSTRUCTION SHEET ATS-621005300. USE EXTRACTION TOOL 621005300.

- * SCREW MAT'L: STAINLESS STEEL
- * RECOMMENDED TORQUE = .75Nm/6.6In-Lbs.



RECOMMENDED PCB FOOT PRINT LAYOUT
 PCB THICKNESS 2.36/.093 MIN
 PCB COMPLIANT TAIL INSERTION FORCE
 = 20LBS PER TAIL



RECOMMENDED PCB PAD LAYOUT

PART NUMBER	DESCRIPTION	PLATING
76001-0006	GOLD PLATED	SELECT GOLD: 30µ IN MIN SELECT MATTE TIN: 100µ IN MIN BOTH OVER NICKEL: 50µ IN MIN
76001-0106	TIN PLATED	MATTE TIN OVERALL: 100µ IN MIN NICKEL UNDERPLATE: 50µ IN MIN

ADD KEEP-OUT AREA EEC NO: UCP2011-1320 DRAWN: BHANDURA 2010/11/08 CHKD: APPR: APATEL 2010/11/15 REV:	QUALITY SYMBOLS	GENERAL TOLERANCES (UNLESS SPECIFIED)	DIMENSION STYLE	SCALE	DESIGN UNITS	THIRD ANGLE PROJECTION
	▽=0	mm	MM/IN	8:1	METRIC	☉
	▽=0	INCH				
	▽=0	4 PLACES ±.002 3 PLACES ±.005 2 PLACES ±.010 1 PLACE ±.025	DMCGOWAN 2005/11/07 MSANDBERG 2006/02/04 APATEL 2010/11/15	DATE	TITLE	Z-POWER 6 TAIL ASSEMBLY
	ANGULAR ±1/2°	DRAFT WHERE APPLICABLE MUST REMAIN WITHIN DIMENSIONS	MATERIAL NO.	DOCUMENT NO.	MOLEX INCORPORATED	
			SEE CHART	SD-76001-002	SHEET NO. 1 OF 1	
			THIS DRAWING CONTAINS INFORMATION THAT IS PROPRIETARY TO MOLEX INCORPORATED AND SHOULD NOT BE USED WITHOUT WRITTEN PERMISSION			