



Chipsmall Limited consists of a professional team with an average of over 10 year of expertise in the distribution of electronic components. Based in Hongkong, we have already established firm and mutual-benefit business relationships with customers from,Europe,America and south Asia,supplying obsolete and hard-to-find components to meet their specific needs.

With the principle of “Quality Parts,Customers Priority,Honest Operation,and Considerate Service”,our business mainly focus on the distribution of electronic components. Line cards we deal with include Microchip,ALPS,ROHM,Xilinx,Pulse,ON,Everlight and Freescale. Main products comprise IC,Modules,Potentiometer,IC Socket,Relay,Connector.Our parts cover such applications as commercial,industrial, and automotives areas.

We are looking forward to setting up business relationship with you and hope to provide you with the best service and solution. Let us make a better world for our industry!



Contact us

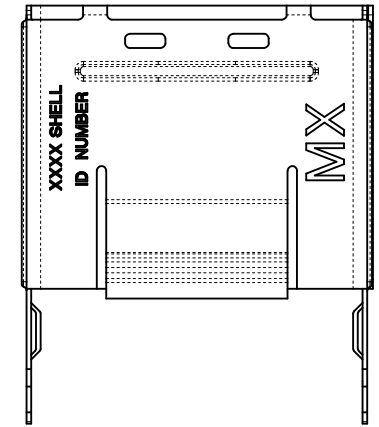
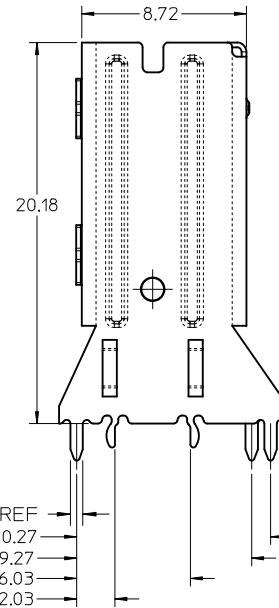
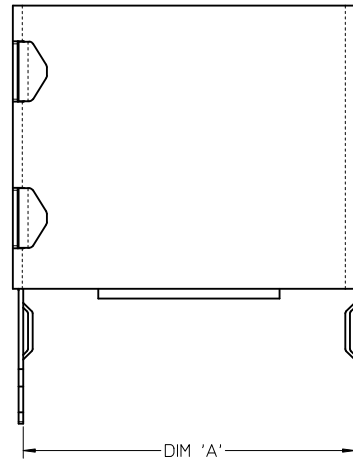
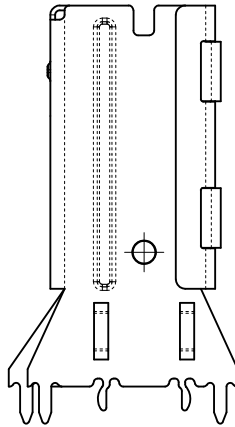
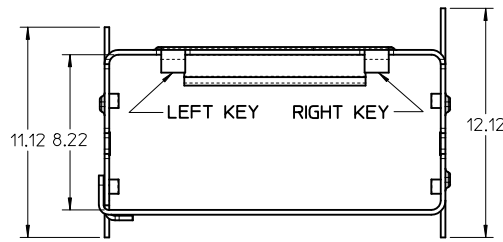
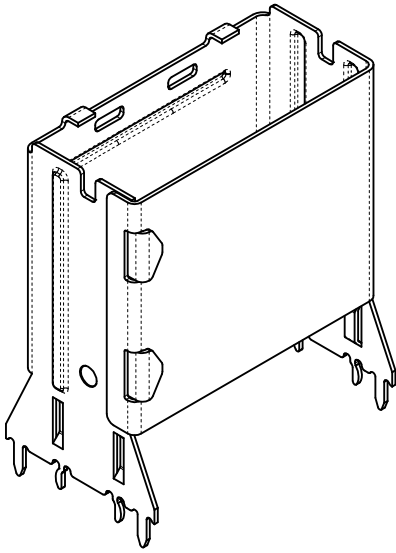
Tel: +86-755-8981 8866 Fax: +86-755-8427 6832

Email & Skype: info@chipsmall.com Web: www.chipsmall.com

Address: A1208, Overseas Decoration Building, #122 Zhenhua RD., Futian, Shenzhen, China



RETENTION FIT SHELL



ITEM NUMBER	CIRCUIT SIZE	DIM 'A'	KEY
76010-5005	26	13.55	LEFT
76010-5015	26	13.55	RIGHT
76010-5025	26	13.55	DUAL
76010-5105	36	17.55	LEFT
76010-5115	36	17.55	RIGHT
76010-5125	36	17.55	DUAL
76010-5205	50	23.15	LEFT
76010-5215	50	23.15	RIGHT
76010-5225	50	23.15	DUAL
76010-5305	68	30.35	LEFT
76010-5315	68	30.35	RIGHT
76010-5325	68	30.35	DUAL
76010-5035	26	13.55	UNIVERSAL
76010-5135	36	17.55	UNIVERSAL
76010-5235	50	23.15	UNIVERSAL
76010-5335	68	30.35	UNIVERSAL

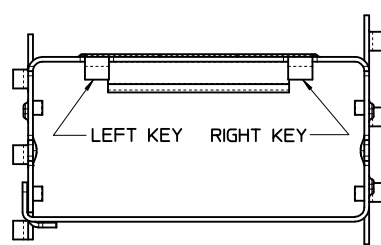
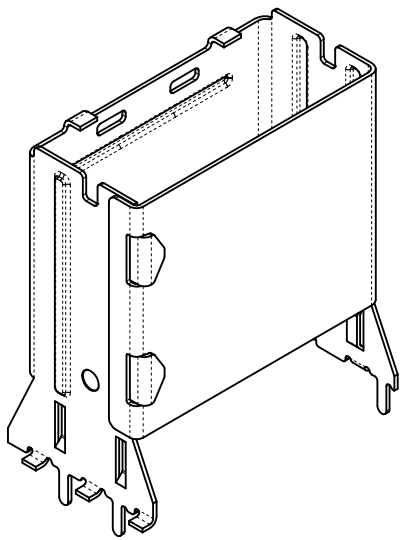
UNIVERSAL = NO KEY

NOTES:

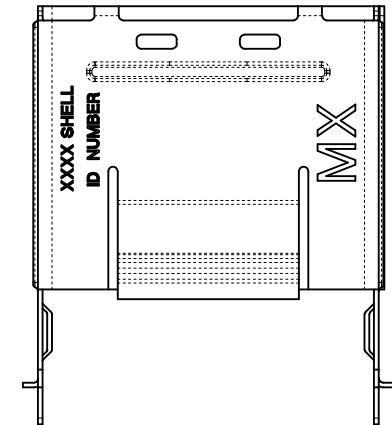
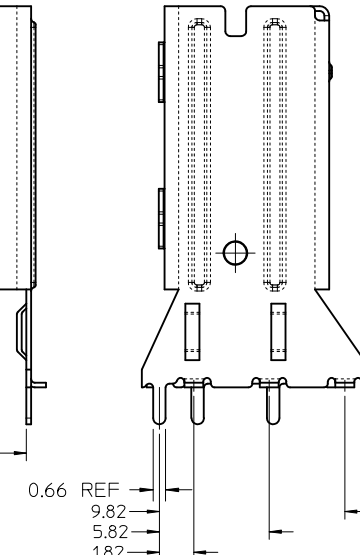
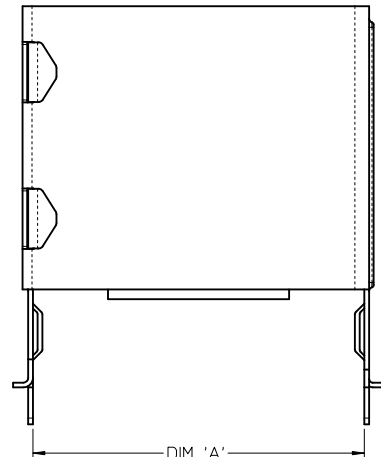
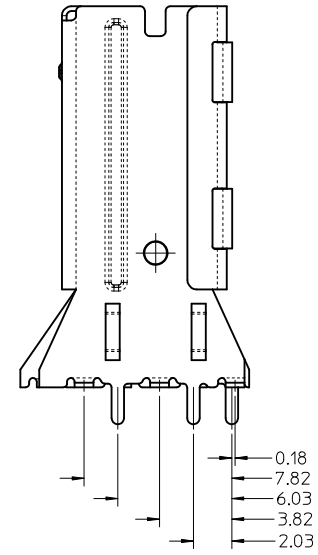
- MATERIAL: SILVER NICKEL. THICKNESS: 0.250/0.254
- TO BE USED WITH CONNECTOR SERIES: 75577
MATES WITH CABLE SERIES: 79575/74563/79576/74573/79536/74562/74569/74586
- PACKAGED PER PACKAGING SPECIFICATION PK-76010-002
- DATE CODE WILL APPEAR ON SHIPPING CARTON ONLY

iPass™ IS A TRADEMARK OF MOLEX

ADD REF DIMENSION EC NO: UCP2012-1863 DRINKLANG 2011/12/09 CHKD: APPR: MBANAK IS 2011/12/09 REV: C1	QUALITY SYMBOLS ▽=0 ▽=0	GENERAL TOLERANCES (UNLESS SPECIFIED) <table border="1"> <thead> <tr> <th></th> <th>mm</th> <th>INCH</th> </tr> </thead> <tbody> <tr><td>4 PLACES</td><td>± ---</td><td>± ---</td></tr> <tr><td>3 PLACES</td><td>± 0.13</td><td>± ---</td></tr> <tr><td>2 PLACES</td><td>± 0.13</td><td>± ---</td></tr> <tr><td>1 PLACE</td><td>± 0.25</td><td>± ---</td></tr> </tbody> </table> ANGULAR ±1/2°		mm	INCH	4 PLACES	± ---	± ---	3 PLACES	± 0.13	± ---	2 PLACES	± 0.13	± ---	1 PLACE	± 0.25	± ---	DIMENSION STYLE MM ONLY DRAWN BY: KLANG DATE: 22/02/05 CHECKED BY: JSWENSON DATE: 22/02/05 APPROVED BY: MBANAK IS DATE: 22/02/05	SCALE: 5:1 DESIGN UNITS: METRIC THIRD ANGLE PROJECTION	TITLE: SALES DRAWING IPASS VERTICAL SHELL INTERNAL CABLE MOLEX MOLEX INCORPORATED DOCUMENT NO. SD-76010-002 SHEET NO. 1 OF 7
		mm	INCH																	
	4 PLACES	± ---	± ---																	
	3 PLACES	± 0.13	± ---																	
2 PLACES	± 0.13	± ---																		
1 PLACE	± 0.25	± ---																		
DRAFT WHERE APPLICABLE MUST REMAIN WITHIN DIMENSIONS		SEE CHART	THIS DRAWING CONTAINS INFORMATION THAT IS PROPRIETARY TO MOLEX INCORPORATED AND SHOULD NOT BE USED WITHOUT WRITTEN PERMISSION																	



SMT SHELL



ITEM NUMBER	CIRCUIT SIZE	DIM 'A'	KEY
76010-5006	26	13.55	LEFT
76010-5016	26	13.55	RIGHT
76010-5026	26	13.55	DUAL
76010-5106	36	17.55	LEFT
76010-5116	36	17.55	RIGHT
76010-5126	36	17.55	DUAL
76010-5206	50	23.15	LEFT
76010-5216	50	23.15	RIGHT
76010-5226	50	23.15	DUAL
76010-5306	68	30.35	LEFT
76010-5316	68	30.35	RIGHT
76010-5326	68	30.35	DUAL
76010-5036	26	13.55	UNIVERSAL
76010-5136	36	17.55	UNIVERSAL
76010-5236	50	23.15	UNIVERSAL
76010-5336	68	30.35	UNIVERSAL

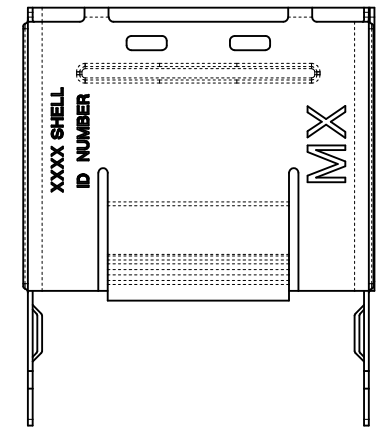
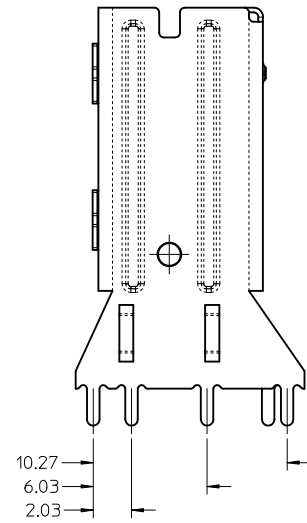
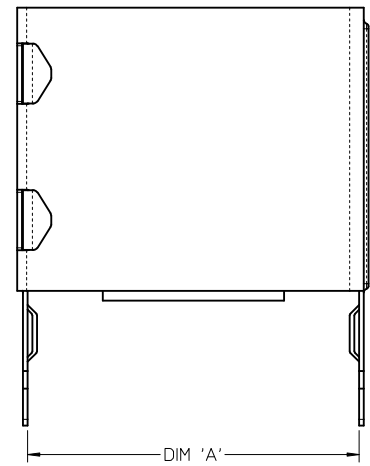
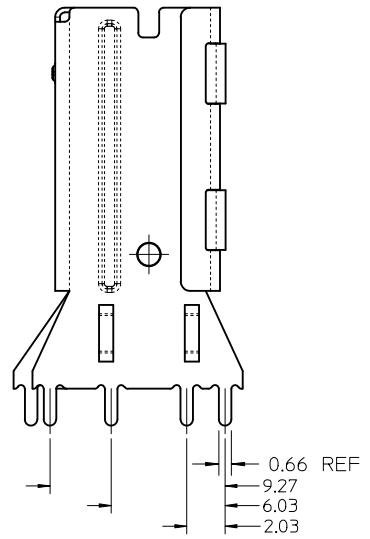
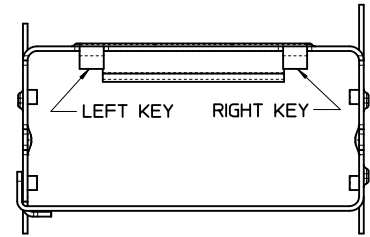
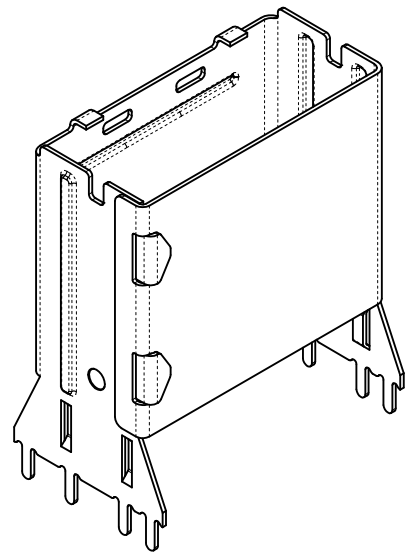
UNIVERSAL = NO KEY

iPass™ IS A TRADEMARK OF MOLEX

SEE SHEET 1 EC NO: UCP2012-1863 DRW:KLANG 2011/12/09 CHKD: MBANAKIS APPR: MBANAKIS 2011/12/09	QUALITY SYMBOLS	GENERAL TOLERANCES (UNLESS SPECIFIED) <table border="1"> <tr><th></th><th>mm</th><th>INCH</th></tr> <tr><td>4 PLACES</td><td>± ---</td><td>± ---</td></tr> <tr><td>3 PLACES</td><td>± 0.13</td><td>± ---</td></tr> <tr><td>2 PLACES</td><td>± 0.13</td><td>± ---</td></tr> <tr><td>1 PLACE</td><td>± 0.25</td><td>± ---</td></tr> </table>		mm	INCH	4 PLACES	± ---	± ---	3 PLACES	± 0.13	± ---	2 PLACES	± 0.13	± ---	1 PLACE	± 0.25	± ---	DIMENSION STYLE	SCALE	DESIGN UNITS	THIRD ANGLE PROJECTION
			mm	INCH																	
	4 PLACES	± ---	± ---																		
	3 PLACES	± 0.13	± ---																		
2 PLACES	± 0.13	± ---																			
1 PLACE	± 0.25	± ---																			
	MM ONLY	5:1	METRIC																		
	DRAFT WHERE APPLICABLE MUST REMAIN WITHIN DIMENSIONS	DRAWN BY: KLANG CHECKED BY: JSWENSON APPROVED BY: MBANAKIS DATE: 22/02/05	TITLE: SALES DRAWING IPASS VERTICAL SHELL INTERNAL CABLE MOLEX MOLEX INCORPORATED DOCUMENT NO: SD-76010-002 SHEET NO: 2 OF 7																		
		MATERIAL NO. SEE CHART	THIS DRAWING CONTAINS INFORMATION THAT IS PROPRIETARY TO MOLEX INCORPORATED AND SHOULD NOT BE USED WITHOUT WRITTEN PERMISSION																		

13 12 11 10 9 8 7 6 5 4 3 2 1

THROUGH HOLE SHELL (PART NUMBERS ON SHEET 4)



iPass™ IS A TRADEMARK OF MOLEX

SEE SHEET 1 EC NO: UCP2012-1863 DRW/KLANG 2011/12/09 CHKD: MBANAKIS APPR: MBANAKIS 2011/12/09	QUALITY SYMBOLS =0 =0	GENERAL TOLERANCES (UNLESS SPECIFIED) <table border="1"> <tr> <th></th> <th>mm</th> <th>INCH</th> </tr> <tr> <td>4 PLACES</td> <td>± ---</td> <td>± ---</td> </tr> <tr> <td>3 PLACES</td> <td>± 0.13</td> <td>± ---</td> </tr> <tr> <td>2 PLACES</td> <td>± 0.13</td> <td>± ---</td> </tr> <tr> <td>1 PLACE</td> <td>± 0.25</td> <td>± ---</td> </tr> </table>		mm	INCH	4 PLACES	± ---	± ---	3 PLACES	± 0.13	± ---	2 PLACES	± 0.13	± ---	1 PLACE	± 0.25	± ---	DIMENSION STYLE MM ONLY DRAWN BY: KLANG DATE: 22/02/05 CHECKED BY: JSWENSON DATE: 22/02/05 APPROVED BY: MBANAKIS DATE: 22/02/05	SCALE: 5:1 DESIGN UNITS: METRIC THIRD ANGLE PROJECTION	TITLE: SALES DRAWING IPASS VERTICAL SHELL INTERNAL CABLE
		mm	INCH																	
	4 PLACES	± ---	± ---																	
	3 PLACES	± 0.13	± ---																	
2 PLACES	± 0.13	± ---																		
1 PLACE	± 0.25	± ---																		
MATERIAL NO. SEE CHART	DOCUMENT NO. SD-76010-002	SHEET NO. 3 OF 7																		
DRAFT WHERE APPLICABLE MUST REMAIN WITHIN DIMENSIONS			THIS DRAWING CONTAINS INFORMATION THAT IS PROPRIETARY TO MOLEX INCORPORATED AND SHOULD NOT BE USED WITHOUT WRITTEN PERMISSION																	
REV: C1																				

12 11 10 9 8 7 6 5 4 3 2 1

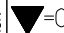
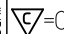
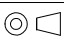
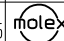
ITEM NUMBER	CIRCUIT SIZE	DIM 'A'	DIM 'B'	KEY
76010-5007	26	13.55	1.96	LEFT
76010-5017	26	13.55	1.96	RIGHT
76010-5027	26	13.55	1.96	DUAL
76010-5107	36	17.55	1.96	LEFT
76010-5117	36	17.55	1.96	RIGHT
76010-5127	36	17.55	1.96	DUAL
76010-5207	50	23.15	1.96	LEFT
76010-5217	50	23.15	1.96	RIGHT
76010-5227	50	23.15	1.96	DUAL
76010-5307	68	30.35	1.96	LEFT
76010-5317	68	30.35	1.96	RIGHT
76010-5327	68	30.35	1.96	DUAL
76010-5037	26	13.55	1.96	UNIVERSAL
76010-5137	36	17.55	1.96	UNIVERSAL
76010-5237	50	23.15	1.96	UNIVERSAL
76010-5337	68	30.35	1.96	UNIVERSAL
76010-7101	36	17.55	2.79	LEFT
76010-7111	36	17.55	2.79	RIGHT
76010-7121	36	17.55	2.79	DUAL
76010-7131	36	17.55	2.79	UNIVERSAL
76010-7102	36	17.55	3.18	LEFT
76010-7112	36	17.55	3.18	RIGHT
76010-7122	36	17.55	3.18	DUAL
76010-7132	36	17.55	3.18	UNIVERSAL
76010-7103	36	17.55	3.56	LEFT
76010-7113	36	17.55	3.56	RIGHT
76010-7123	36	17.55	3.56	DUAL
76010-7133	36	17.55	3.56	UNIVERSAL

ITEM NUMBER	CIRCUIT SIZE	DIM 'A'	DIM 'B'	KEY
76010-7401	26	13.55	2.79	LEFT
76010-7411	26	13.55	2.79	RIGHT
76010-7421	26	13.55	2.79	DUAL
76010-7431	26	13.55	2.79	UNIVERSAL
76010-7402	26	13.55	3.18	LEFT
76010-7412	26	13.55	3.18	RIGHT
76010-7422	26	13.55	3.18	DUAL
76010-7432	26	13.55	3.18	UNIVERSAL
76010-7201	50	23.15	2.79	LEFT
76010-7211	50	23.15	2.79	RIGHT
76010-7221	50	23.15	2.79	DUAL
76010-7231	50	23.15	2.79	UNIVERSAL
76010-7202	50	23.15	3.18	LEFT
76010-7212	50	23.15	3.18	RIGHT
76010-7222	50	23.15	3.18	DUAL
76010-7232	50	23.15	3.18	UNIVERSAL
76010-7301	68	30.35	2.79	LEFT
76010-7311	68	30.35	2.79	RIGHT
76010-7321	68	30.35	2.79	DUAL
76010-7331	68	30.35	2.79	UNIVERSAL
76010-7302	68	30.35	3.18	LEFT
76010-7312	68	30.35	3.18	RIGHT
76010-7322	68	30.35	3.18	DUAL
76010-7332	68	30.35	3.18	UNIVERSAL

UNIVERSAL = NO KEY

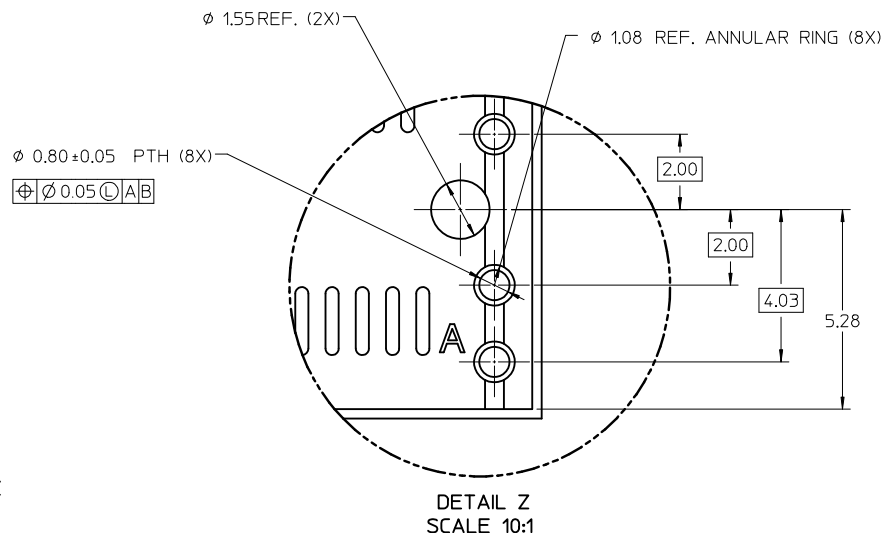
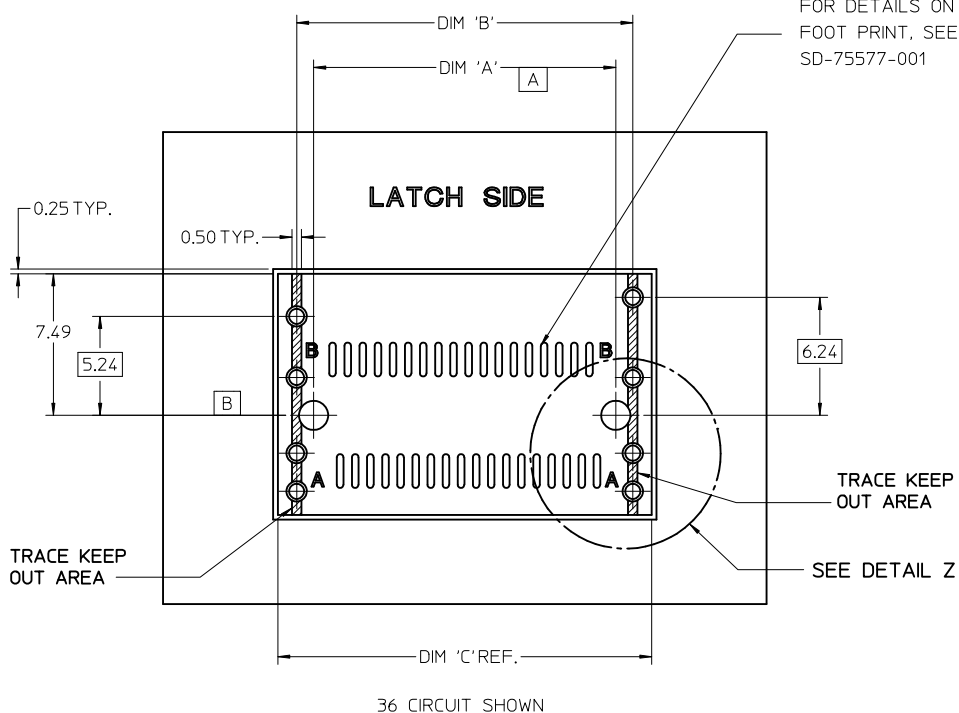
THROUGH HOLE SHELL (PART NUMBERS)

iPass™ IS A TRADEMARK OF MOLEX

SEE SHEET 1 EC NO: UCP2012-1863 DRW:KLANG 2011/12/09 CHKD: APPR:MBANAKIS 2011/12/09 REV: C1	QUALITY SYMBOLS  = 0  = 0	GENERAL TOLERANCES (UNLESS SPECIFIED) <table border="1"> <thead> <tr> <th></th> <th>mm</th> <th>INCH</th> </tr> </thead> <tbody> <tr> <td>4 PLACES</td> <td>± 0.13</td> <td>± 0.005</td> </tr> <tr> <td>3 PLACES</td> <td>± 0.13</td> <td>± 0.005</td> </tr> <tr> <td>2 PLACES</td> <td>± 0.13</td> <td>± 0.005</td> </tr> <tr> <td>1 PLACE</td> <td>± 0.25</td> <td>± 0.010</td> </tr> </tbody> </table>		mm	INCH	4 PLACES	± 0.13	± 0.005	3 PLACES	± 0.13	± 0.005	2 PLACES	± 0.13	± 0.005	1 PLACE	± 0.25	± 0.010	DIMENSION STYLE MM ONLY DRAWN BY: KLANG DATE: 22/02/05 CHECKED BY: JSWENSON DATE: 22/02/05 APPROVED BY: MBANAKIS DATE: 22/02/05 MATERIAL NO.	SCALE: 5:1 DESIGN UNITS: METRIC  THIRD ANGLE PROJECTION	TITLE: SALES DRAWING IPASS VERTICAL SHELL INTERNAL CABLE  MOLEX INCORPORATED	SHEET NO. 4 OF 7
		mm	INCH																		
	4 PLACES	± 0.13	± 0.005																		
	3 PLACES	± 0.13	± 0.005																		
2 PLACES	± 0.13	± 0.005																			
1 PLACE	± 0.25	± 0.010																			
DRAFT WHERE APPLICABLE MUST REMAIN WITHIN DIMENSIONS		SEE CHART		DOCUMENT NO. SD-76010-002																	
THIS DRAWING CONTAINS INFORMATION THAT IS PROPRIETARY TO MOLEX INCORPORATED AND SHOULD NOT BE USED WITHOUT WRITTEN PERMISSION																					
SIZE C																					

VERTICAL RETENTION FIT AND THROUGH HOLE SHELL PCB FOOT PRINT

FOR DETAILS ON CONNECTOR
FOOT PRINT, SEE SALES DRAWING
SD-75577-001



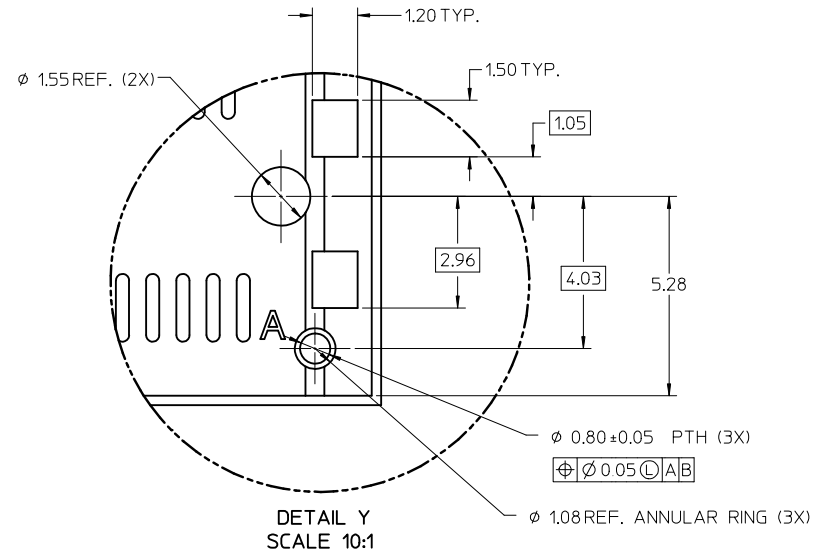
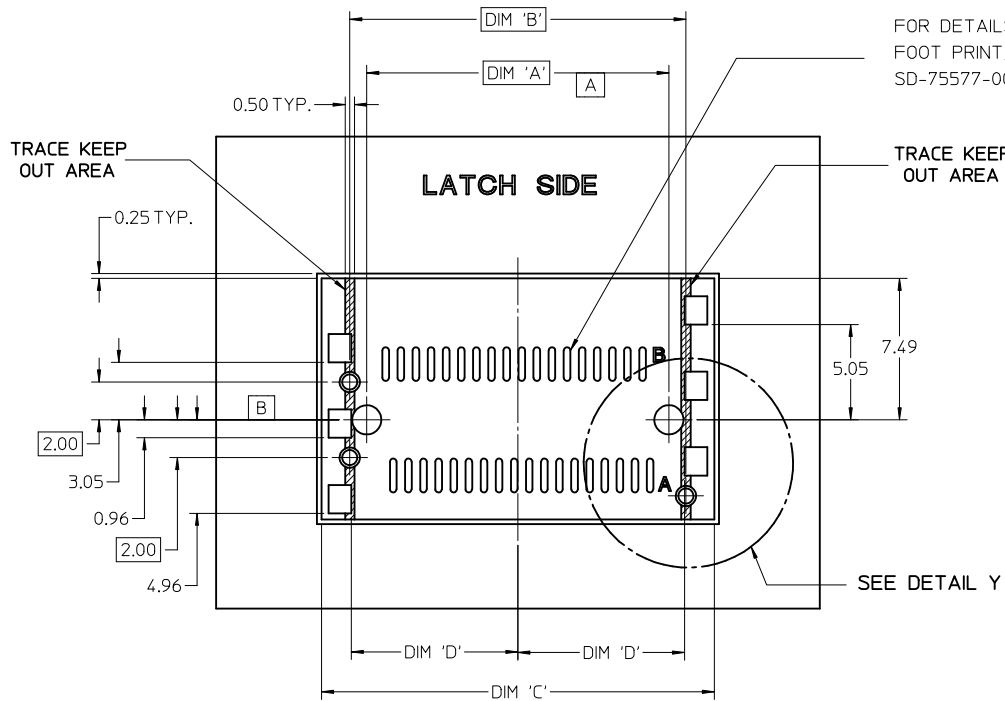
CIRCUIT SIZE	DIMENSIONS		
	DIM 'A'	DIM 'B'	DIM 'C'
26	12.00	13.80	15.80
36	16.00	17.80	19.80
50	21.60	23.40	25.40
68	28.80	30.60	32.60

iPass™ IS A TRADEMARK OF MOLEX

SEE SHEET 1 EC NO: UCP2012-1863 DRINKLANG 2011/12/09 CHKD: APPR: MBANAK IS 2011/12/09	QUALITY SYMBOLS ▽=0 ▽=0	GENERAL TOLERANCES (UNLESS SPECIFIED)		DIMENSION STYLE MM ONLY	SCALE 5:1	DESIGN UNITS METRIC	THIRD ANGLE PROJECTION		
		mm	INCH	DRAWN BY KLANG	DATE 22/02/05	SALES DRAWING IPASS VERTICAL SHELL INTERNAL CABLE MOLEX INCORPORATED DOCUMENT NO. SD-76010-002 SHEET NO. 5 OF 7			
		4 PLACES ± --- ± ---		CHECKED BY JSWENSON					
		3 PLACES ± 0.13 ± ---		DATE 22/02/05					
2 PLACES ± 0.13 ± ---		APPROVED BY MBANAK IS							
1 PLACE ± 0.25 ± ---		DATE 22/02/05							
ANGULAR ± 1/2°				MATERIAL NO.					
DRAFT WHERE APPLICABLE MUST REMAIN WITHIN DIMENSIONS				SEE CHART					
				SIZE C					

VERTICAL SMT SHELL PCB FOOT PRINT

FOR DETAILS ON CONNECTOR
FOOT PRINT, SEE SALES DRAWING
SD-75577-001



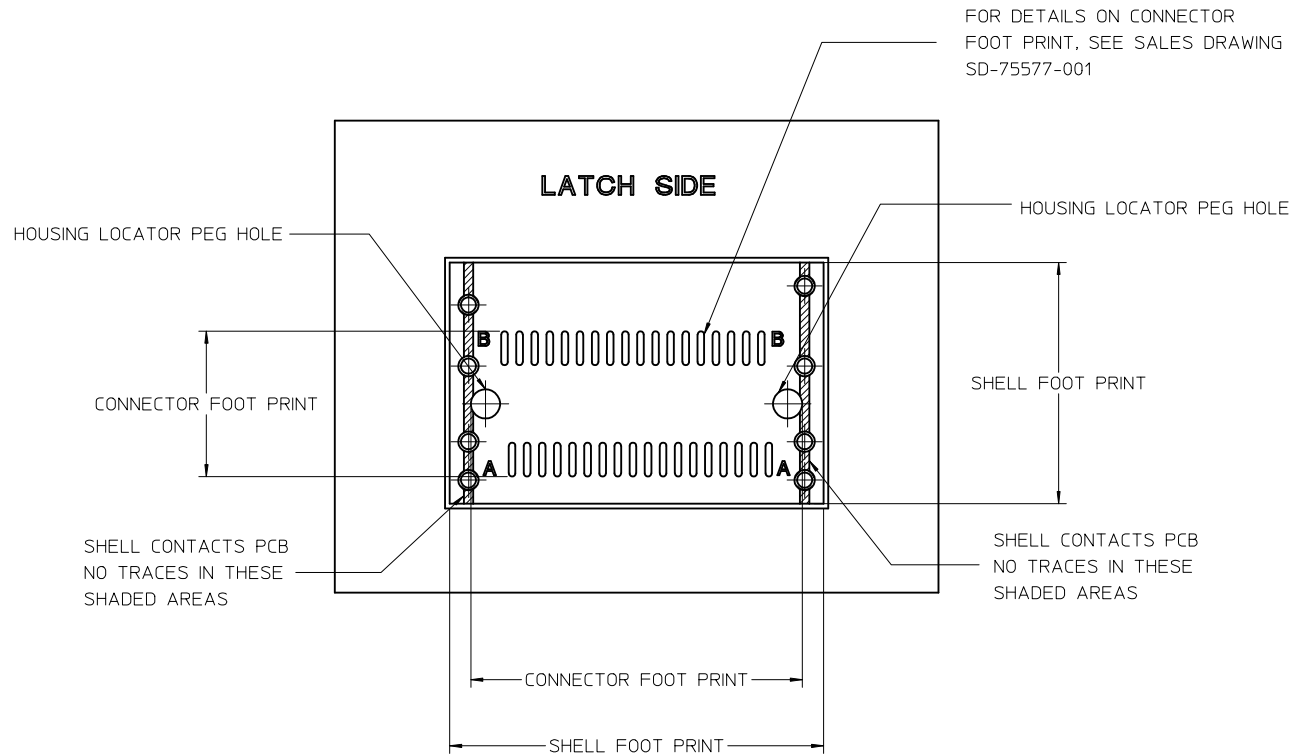
36 CIRCUIT SHOWN

CIRCUIT SIZE	<div style="display: flex; justify-content: space-around; text-align: left;"> <div style="transform: rotate(-45deg); padding: 2px;">PEG TO PEG</div> <div style="transform: rotate(-45deg); padding: 2px;">SHELL PEG TO PEG</div> <div style="transform: rotate(-45deg); padding: 2px;">SHELL FOOTPRINT WIDTH CENTERLINE TO PAD EDGE</div> </div>			
	DIM 'A'	DIM 'B'	DIM 'C'	DIM 'D'
26	12.00	13.80	16.80	6.825
36	16.00	17.80	20.80	8.825
50	21.60	23.40	26.40	11.625
68	28.80	30.60	33.60	15.225

iPass™ IS A TRADEMARK OF MOLEX

SEE SHEET 1 EC NO: UCP2012-1863 DRW/KLANG 2011/12/09 CHKD: MBANAKIS APPR: MBANAKIS 2011/12/09	QUALITY SYMBOLS ▽=0 ▽=0	GENERAL TOLERANCES (UNLESS SPECIFIED) <table border="1" style="width: 100%; border-collapse: collapse;"> <thead> <tr> <th></th> <th>mm</th> <th>INCH</th> </tr> </thead> <tbody> <tr> <td>4 PLACES</td> <td>± ---</td> <td>± ---</td> </tr> <tr> <td>3 PLACES</td> <td>± 0.13</td> <td>± ---</td> </tr> <tr> <td>2 PLACES</td> <td>± 0.13</td> <td>± ---</td> </tr> <tr> <td>1 PLACE</td> <td>± 0.25</td> <td>± ---</td> </tr> </tbody> </table> ANGULAR ±1/2°		mm	INCH	4 PLACES	± ---	± ---	3 PLACES	± 0.13	± ---	2 PLACES	± 0.13	± ---	1 PLACE	± 0.25	± ---	DIMENSION STYLE MM ONLY DRAWN BY: KLANG DATE: 22/02/05 CHECKED BY: JSWENSON DATE: 22/02/05 APPROVED BY: MBANAKIS DATE: 22/02/05	SCALE 5:1 DESIGN UNITS METRIC	THIRD ANGLE PROJECTION	SALES DRAWING IPASS VERTICAL SHELL INTERNAL CABLE MOLEX INCORPORATED
		mm	INCH																		
	4 PLACES	± ---	± ---																		
	3 PLACES	± 0.13	± ---																		
2 PLACES	± 0.13	± ---																			
1 PLACE	± 0.25	± ---																			
DRAFT WHERE APPLICABLE MUST REMAIN WITHIN DIMENSIONS	SEE CHART	DOCUMENT NO. SD-76010-002	SHEET NO. 6 OF 7																		
THIS DRAWING CONTAINS INFORMATION THAT IS PROPRIETARY TO MOLEX INCORPORATED AND SHOULD NOT BE USED WITHOUT WRITTEN PERMISSION																					
C1	REV																				

VERTICAL SHELL PCB FOOT PRINT DESCRIPTIONS



36 CIRCUIT SHOWN

iPass™ IS A TRADEMARK OF MOLEX

SEE SHEET 1 EC NO: UCP2012-1863 DRWN: KLANG 2011/12/09 CHKD: MBANAKIS APPR: MBANAKIS 2011/12/09	QUALITY SYMBOLS ▽=0 ▽=0	GENERAL TOLERANCES (UNLESS SPECIFIED)		DIMENSION STYLE	SCALE	DESIGN UNITS	THIRD ANGLE PROJECTION		
				MM ONLY	5:1	METRIC			
				mm	INCH	TITLE			
						SALES DRAWING IPASS VERTICAL SHELL INTERNAL CABLE			
		ANGULAR ±1/2°		DRAWN BY		DATE			
				KLANG		22/02/05			
				CHECKED BY		DATE			
				JSWENSON		22/02/05			
				APPROVED BY		DATE			
				MBANAKIS		22/02/05			
				MATERIAL NO.		DOCUMENT NO.			
				SEE CHART		SD-76010-002			
				SIZE		SHEET NO.			
				C		7 OF 7			
				THIS DRAWING CONTAINS INFORMATION THAT IS PROPRIETARY TO MOLEX INCORPORATED AND SHOULD NOT BE USED WITHOUT WRITTEN PERMISSION					