



Chipsmall Limited consists of a professional team with an average of over 10 year of expertise in the distribution of electronic components. Based in Hongkong, we have already established firm and mutual-benefit business relationships with customers from,Europe,America and south Asia,supplying obsolete and hard-to-find components to meet their specific needs.

With the principle of "Quality Parts,Customers Priority,Honest Operation,and Considerate Service",our business mainly focus on the distribution of electronic components. Line cards we deal with include Microchip,ALPS,ROHM,Xilinx,Pulse,ON,Everlight and Freescale. Main products comprise IC,Modules,Potentiometer,IC Socket,Relay,Connector.Our parts cover such applications as commercial,industrial, and automotives areas.

We are looking forward to setting up business relationship with you and hope to provide you with the best service and solution. Let us make a better world for our industry!



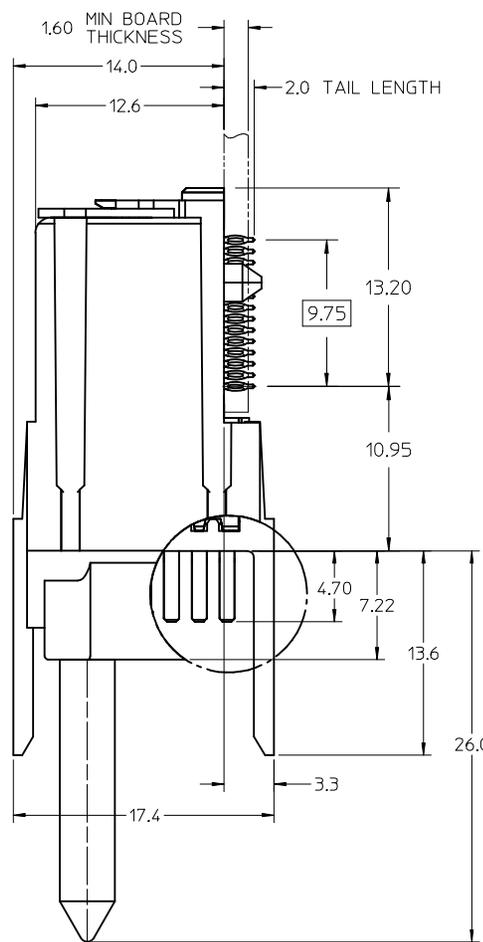
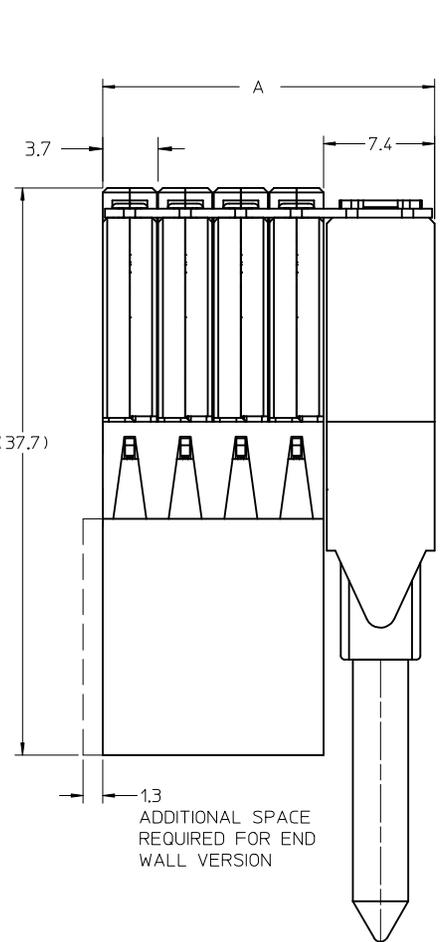
Contact us

Tel: +86-755-8981 8866 Fax: +86-755-8427 6832

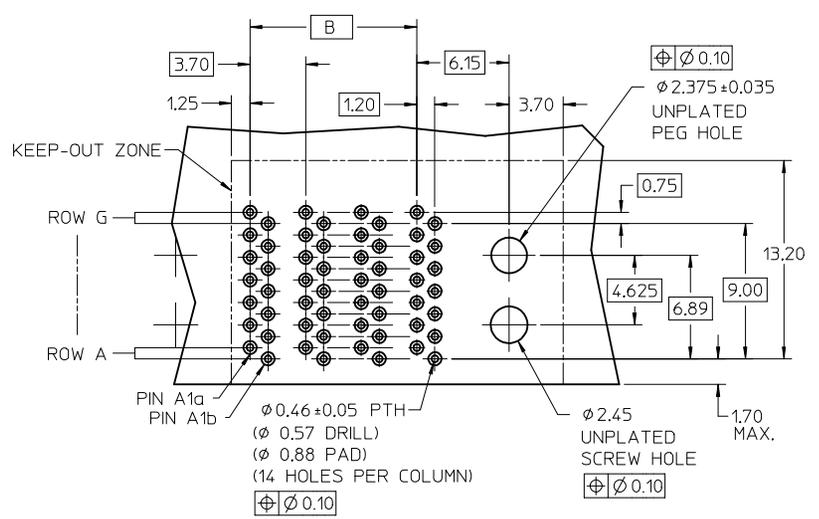
Email & Skype: info@chipsmall.com Web: www.chipsmall.com

Address: A1208, Overseas Decoration Building, #122 Zhenhua RD., Futian, Shenzhen, China



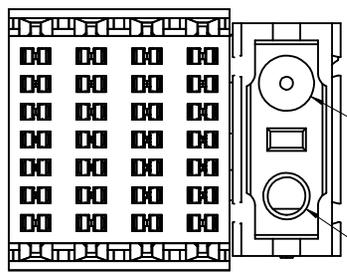


PART NUMBER	# OF COLUMNS	DIM "A" MAX	DIM "B"
76011 - *4**	4	22.06	11.10
76011 - *6**	6	29.60	18.50
76011 - *1**	10	44.40	33.30



RAM HOLE PATTERN
(CONNECTOR SIDE)

- NOTES:
1. MATERIALS: HOUSING - LIQUID CRYSTAL POLYMER (LCP), BLACK, UL 94V-0
TERMINALS - HIGH PERFORMANCE COPPER ALLOY
 2. FINISH: SELECTIVE GOLD (Au) IN CONTACT AREA,
SELECTIVE MATTE TIN (Sn) IN TAIL AREA,
NICKEL (Ni) UNDERPLATE OVERALL.
 3. MOLEX PRODUCT SPECIFICATION: PS-75710-999.
 4. OPTIONAL GUIDE PIN SHOWN IN COPLANAR LOCATION.
 5. THIS PART CONFORMS TO CLASS B REQUIREMENTS OF
COSMETIC SPEC PS-45499-002.
 6. PACKAGED PER PK-70873-588.
 7. MAPS (MOLEX ADVANCED PLATING SYSTEM).



LOCATION OF GUIDE PIN
FOR STANDARD COPLANAR

LOCATION OF GUIDE PIN
FOR INVERTED APPLICATION

STANDARD PIN OPTION
(76011-***3)
(76011-***7)

SEE NOTE 4.

ADD 50 GOLD EC NO: UCP2014-3112 DRW:WOLFE 2014/01/29 CHKD:SYANG 2014/01/29 APPR:SWILLER 2014/02/11	QUALITY SYMBOLS ▽=0 ▽=0 ▽=0	GENERAL TOLERANCES (UNLESS SPECIFIED)		DIMENSION STYLE MM ONLY		SCALE 4:1	DESIGN UNITS METRIC	THIRD ANGLE PROJECTION
		DRAWN BY DATE ELO 2006/05/03		CHECKED BY DATE JLAURX 2006/05/04		APPROVED BY DATE CBIXLER 2006/05/05		TITLE I-TRAC 7-ROW RIGHT ANGLE MALE GUIDE RIGHT ASSEMBLY
ANGULAR ±---°		MATERIAL NO.		DOCUMENT NO.		SHEET NO.		
DRAFT WHERE APPLICABLE MUST REMAIN WITHIN DIMENSIONS		SIZE C		SEE CHART		SD-76011-003		1 OF 3
THIS DRAWING CONTAINS INFORMATION THAT IS PROPRIETARY TO MOLEX INCORPORATED AND SHOULD NOT BE USED WITHOUT WRITTEN PERMISSION								

7 6 0 1 1 - * * * *

MODULE TYPE - TAIL PLATING TYPE

- GUIDE RIGHT - MATTE TIN (FORMERLY TIN/LEAD) = 4
- GUIDE RIGHT - MATTE TIN = 5
- GUIDE RIGHT, END WALL - MATTE TIN (FORMERLY TIN/LEAD) = 8
- GUIDE RIGHT, END WALL - MATTE TIN = 9

OF COLUMNS

- 4 = 4 COL
- 6 = 6 COL
- 1 = 10 COL

ORIENTATION
GUIDE POST

- 2 = COPLANAR
- 3 = INVERTED

PIN LENGTH/PLATING

- 3 = 4.70 30 GOLD
- 5 = 4 X 3.80, 3 X 4.70 STAGGERED 30 GOLD
- 6 = 2 X 3.80, 5 X 4.70 STAGGERED 30 GOLD

7 = 4.70 10 GOLD (MAPS)

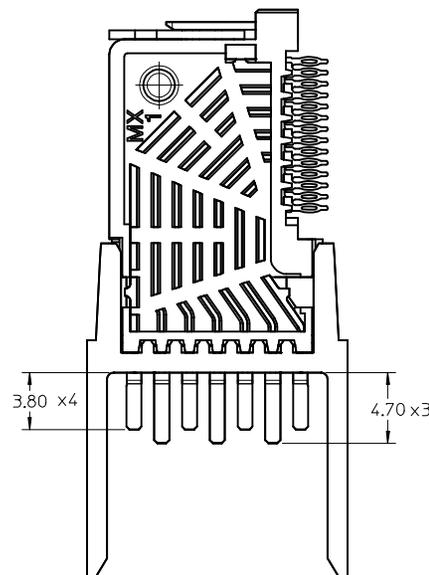
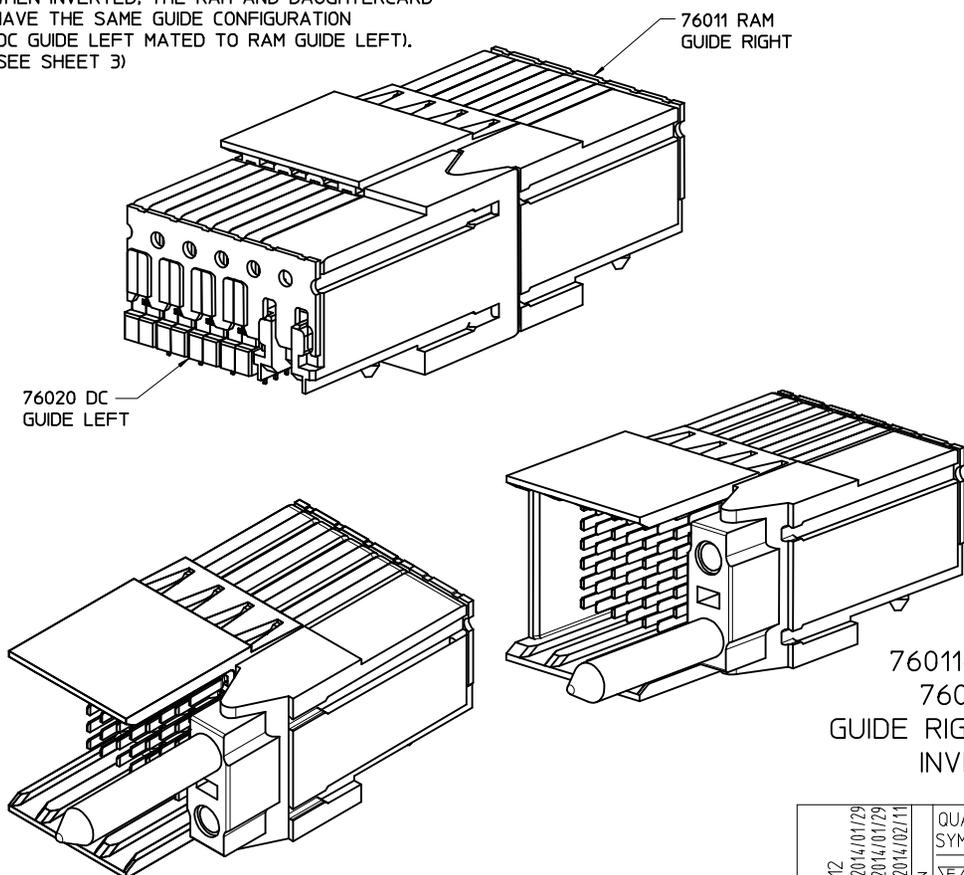
- 8 = 4 X 3.80, 3 X 4.70 STAGGERED 10 GOLD (MAPS)
- 9 = 2 X 3.80, 5 X 4.70 STAGGERED 10 GOLD (MAPS)

1 = 4.70 50 GOLD

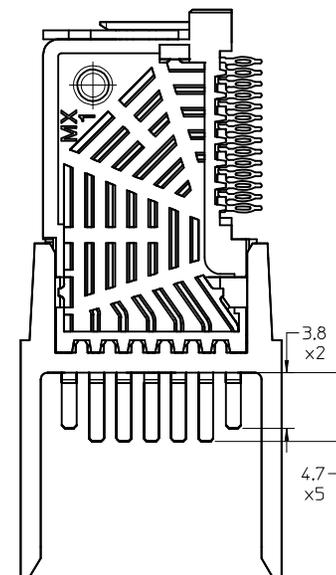
- 2 = 4 X 3.80, 3 X 4.70 STAGGERED 50 GOLD
- 4 = 2 X 3.80, 5 X 4.70 STAGGERED 50 GOLD

NOTE:

WHEN MATING RIGHT ANGLE MALE (RAM)
TO A DAUGHTERCARD IN A COPLANAR APPLICATION,
THE GUIDE CONFIGURATION IS OPPOSING
(DC GUIDE LEFT MATED TO RAM GUIDE RIGHT).
WHEN INVERTED, THE RAM AND DAUGHTERCARD
HAVE THE SAME GUIDE CONFIGURATION
(DC GUIDE LEFT MATED TO RAM GUIDE LEFT).
(SEE SHEET 3)



STAGGERED PIN OPTION
(76011-***5)
(76011-***8)



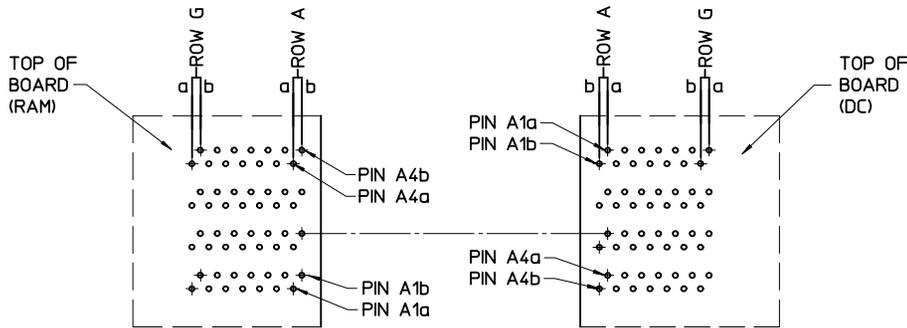
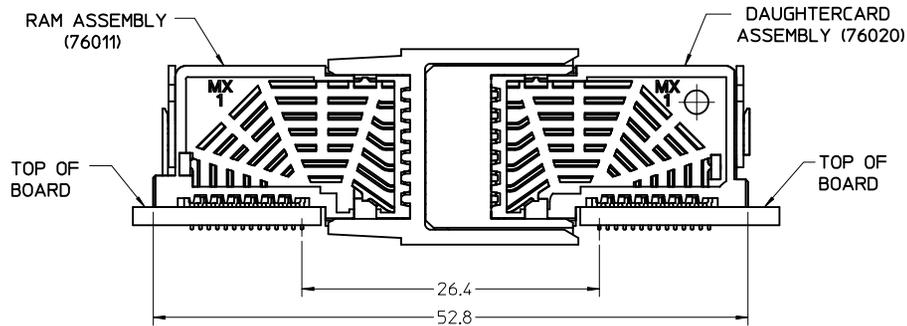
STAGGERED PIN OPTION
(76011-***6)
(76011-***9)

76011-4*2* or
76011-5*2*
GUIDE RIGHT, COPLANAR

76011-8*3* or
76011-9*3*
GUIDE RIGHT, END WALL,
INVERTED

SEE SHEET 1 EC NO: UCP2014-3112 DRW: MWOLFE 2014/01/29 CHKD: SYANG 2014/01/29 APPR: SMILLER 2014/02/11	QUALITY SYMBOLS	GENERAL TOLERANCES (UNLESS SPECIFIED)	DIMENSION STYLE	SCALE	DESIGN UNITS	THIRD ANGLE PROJECTION
	▽=0	mm INCH	MM ONLY	3:1	METRIC	
	▽=0	4 PLACES ± --- ± ---	DRAWN BY DATE			
	▽=0	3 PLACES ± --- ± ---	ELO 2006/05/03			
	2 PLACES ± 0.13 ± ---	CHECKED BY DATE				I-TRAC 7-ROW RIGHT ANGLE MALE GUIDE RIGHT ASSEMBLY molex
	1 PLACE ± 0.25 ± ---	JLAURX 2006/05/04				
	0 PLACE ± ±	APPROVED BY DATE				DOCUMENT NO. SD-76011-003
	ANGULAR ± --- °	CBIXLER 2006/05/05				
		DRAFT WHERE APPLICABLE MUST REMAIN WITHIN DIMENSIONS	SEE CHART			SHEET NO. 2 OF 3
			THIS DRAWING CONTAINS INFORMATION THAT IS PROPRIETARY TO MOLEX INCORPORATED AND SHOULD NOT BE USED WITHOUT WRITTEN PERMISSION			

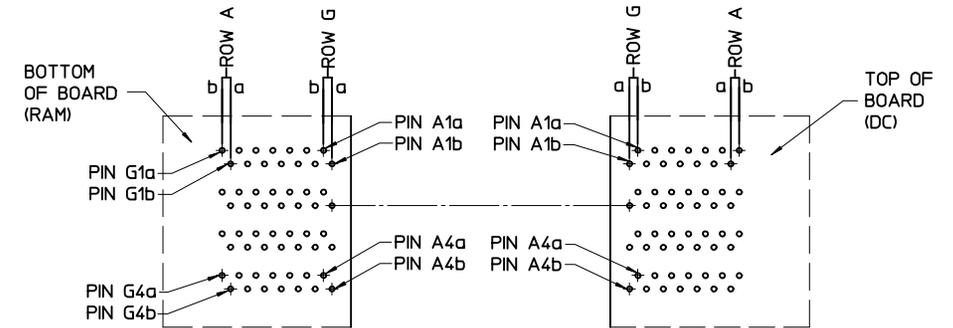
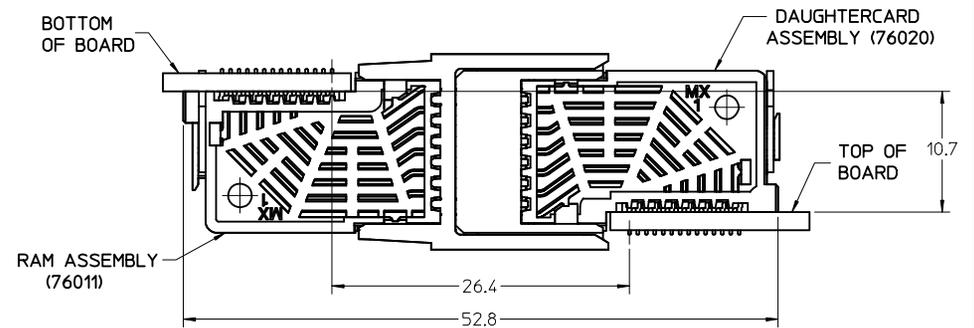
COPLANAR APPLICATION



COPLANAR MATED SIGNAL PATHS

RAM PIN A4b.....	DC PIN A1a
RAM PIN A4a.....	DC PIN A1b
RAM PIN A1b.....	DC PIN A4a
RAM PIN A1a.....	DC PIN A4b

INVERTED APPLICATION



INVERTED MATED SIGNAL PATHS

RAM PIN G1a.....	DC PIN A1a
RAM PIN G1b.....	DC PIN A1b
RAM PIN G4a.....	DC PIN A4a
RAM PIN G4b.....	DC PIN A4b

SEE SHEET 1 EC NO: UCP2014-3112 DRW: MWOLFE 2014/01/29 CHKD: SYANG 2014/01/29 APPR: SMILLER 2014/02/11	QUALITY SYMBOLS 	GENERAL TOLERANCES (UNLESS SPECIFIED) <table border="1"> <thead> <tr> <th></th> <th>mm</th> <th>INCH</th> </tr> </thead> <tbody> <tr> <td>4 PLACES</td> <td>± 0.25</td> <td>± 0.010</td> </tr> <tr> <td>3 PLACES</td> <td>± 0.25</td> <td>± 0.010</td> </tr> <tr> <td>2 PLACES</td> <td>± 0.13</td> <td>± 0.005</td> </tr> <tr> <td>1 PLACE</td> <td>± 0.25</td> <td>± 0.010</td> </tr> <tr> <td>0 PLACE</td> <td>±</td> <td>±</td> </tr> </tbody> </table>		mm	INCH	4 PLACES	± 0.25	± 0.010	3 PLACES	± 0.25	± 0.010	2 PLACES	± 0.13	± 0.005	1 PLACE	± 0.25	± 0.010	0 PLACE	±	±	DIMENSION STYLE MM ONLY DRAWN BY DATE ELO 2006/05/03 CHECKED BY DATE JLAURX 2006/05/04 APPROVED BY DATE CBIXLER 2006/05/05	SCALE 2:1 DESIGN UNITS METRIC THIRD ANGLE PROJECTION	TITLE I-TRAC 7-ROW RIGHT ANGLE MALE GUIDE RIGHT ASSEMBLY molex DOCUMENT NO. SD-76011-003	SHEET NO. 3 OF 3
		mm	INCH																					
	4 PLACES	± 0.25	± 0.010																					
	3 PLACES	± 0.25	± 0.010																					
2 PLACES	± 0.13	± 0.005																						
1 PLACE	± 0.25	± 0.010																						
0 PLACE	±	±																						
DRAFT WHERE APPLICABLE MUST REMAIN WITHIN DIMENSIONS		MATERIAL NO. SEE CHART	THIS DRAWING CONTAINS INFORMATION THAT IS PROPRIETARY TO MOLEX. INCORPORATED AND SHOULD NOT BE USED WITHOUT WRITTEN PERMISSION																					