



Chipsmall Limited consists of a professional team with an average of over 10 year of expertise in the distribution of electronic components. Based in Hongkong, we have already established firm and mutual-benefit business relationships with customers from,Europe,America and south Asia,supplying obsolete and hard-to-find components to meet their specific needs.

With the principle of "Quality Parts,Customers Priority,Honest Operation,and Considerate Service",our business mainly focus on the distribution of electronic components. Line cards we deal with include Microchip,ALPS,ROHM,Xilinx,Pulse,ON,Everlight and Freescale. Main products comprise IC,Modules,Potentiometer,IC Socket,Relay,Connector.Our parts cover such applications as commercial,industrial, and automotives areas.

We are looking forward to setting up business relationship with you and hope to provide you with the best service and solution. Let us make a better world for our industry!



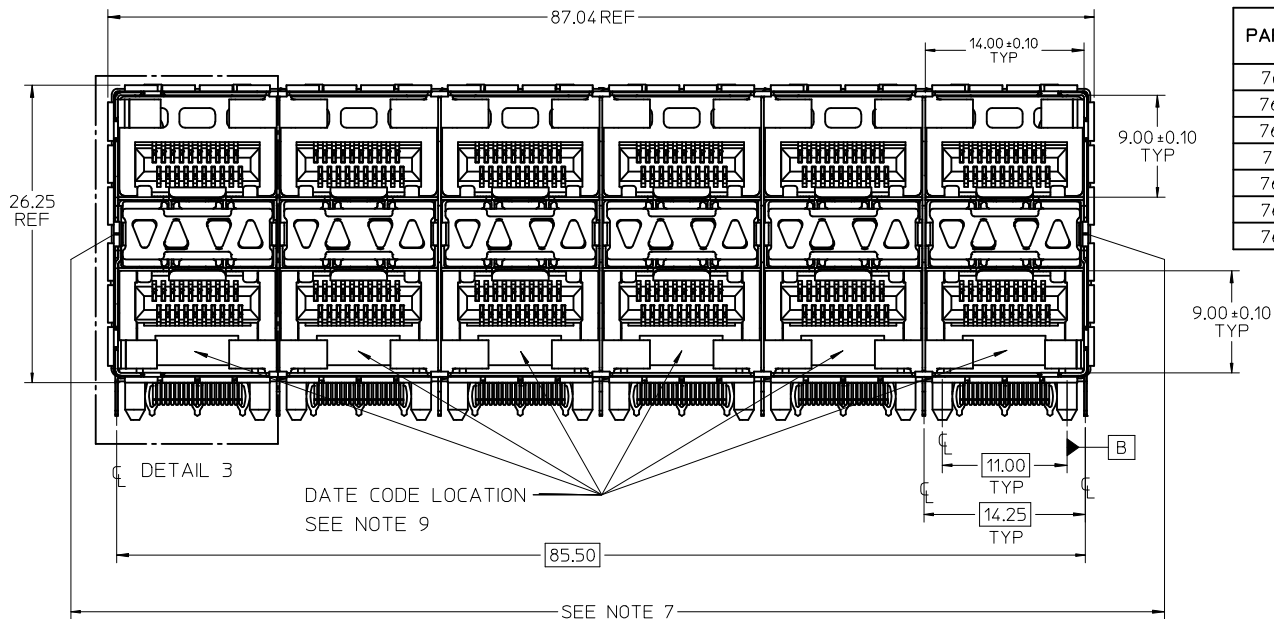
Contact us

Tel: +86-755-8981 8866 Fax: +86-755-8427 6832

Email & Skype: info@chipsmall.com Web: www.chipsmall.com

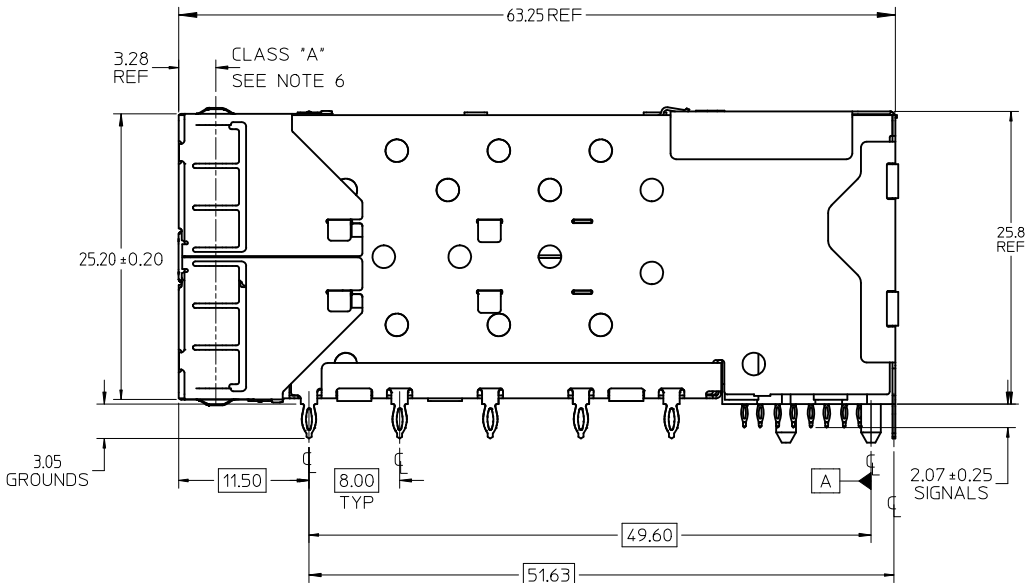
Address: A1208, Overseas Decoration Building, #122 Zhenhua RD., Futian, Shenzhen, China



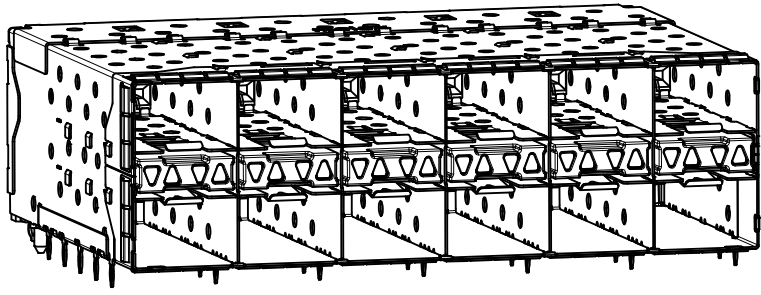


PART NUMBER	PART TYPE (SEE VIEWS ON SHEET 2)	COMPLIANT TAIL PLATING
760480001	4 LIGHT PORTS	TIN-LEAD
760480002	INNER 2 PORTS	TIN-LEAD
760480003	OUTER 2 PORTS	TIN-LEAD
760485001	4 LIGHT PORTS	TIN
760485002	INNER 2 PORTS	TIN
760485003	OUTER 2 PORTS	TIN
760485004	OUTER 2 PORTS - SPECIAL CONFIG	TIN

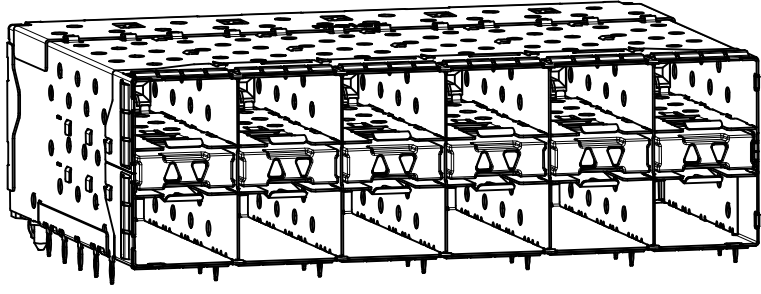
- NOTES**
- MATERIAL:**
 CAGE: NICKEL SILVER, THICKNESS: 0.25mm
 CONNECTOR HOUSING: GLASS FILLED LIQUID CRYSTAL POLYMER (LCP), UL 94V-0, COLOR: BLACK
 OVERMOLD TERMINAL HOUSING: GLASS FILLED LIQUID CRYSTAL POLYMER (LCP), UL 94V-0, COLOR: BLACK
 TERMINALS: TIN BRASS
 EMI GASKET: PHOS-BRONZE
 LIGHTPIPE HOUSING: ZINC
 LIGHTPIPES: POLYCARBONATE, COLOR: CLEAR
 - FINISHES:**
 TERMINALS: CONTACT AREA: 0.76 MICROMETERS MINIMUM HARD GOLD OVER 1.27 MICROMETERS MINIMUM NICKEL.
 COMPLIANT TAIL - TIN/LEAD OPTION: 0.76 TO 1.52 MICROMETERS 90/10 TIN-LEAD OVER 0.76 MICROMETERS MINIMUM NICKEL.
 COMPLIANT TAIL - TIN OPTION: 0.76 TO 1.52 MICROMETERS TIN OVER 0.76 MICROMETERS MINIMUM NICKEL.
 LIGHT PIPE HOUSING: 80 MICROMETERS MINIMUM NICKEL OVER COPPER
 EMI GASKET: 2.54 MICROMETERS MINIMUM NICKEL OVERALL
 - REFER TO PS-75310-001 PRODUCT SPEC FOR ALL ELECTRICAL, MECHANICAL, AND ENVIRONMENTAL SPECIFICATIONS.
 - LIGHTPIPE PAD LAYOUT IS FOR 0805 LOW-PROFILE LED PACKAGE, FOR OTHER RECOMMENDED LAYOUTS REFER TO MOLEX'S REPORT TS-75310-001.
 - REFER TO PK-75451-001 FOR ALL PACKAGING SPECIFICATIONS.
 - THE SURFACES CONFORM TO THE MOLEX COSMETIC SPEC PS-45499-002. ALL EXTERIOR SURFACES TO BE CLASS "B" SURFACE EXCEPT THE UNDERSIDE (CLASS "C") OF THE CAGE (SIDE TOWARD THE PCB) AND AS OTHERWISE NOTED.
 - THE OVERALL CAGE WIDTH AT THE VERTICAL CENTER OF THE FRONT EDGE WILL FALL WITHIN THIS DIMENSION: 86.30±/-0.30 MM. THIS PORTION OF THE CAGE WILL FLEX INWARD AS THE CAGE IS BEING INSERTED INTO THE BEZEL OPENING.
 - REFER TO AS-76090-001 FOR HIGH SPEED ROUTING RECOMMENDATIONS.
 - DATE CODE LOCATION IS SHOWN ABOVE.
 DATE CODE FORMAT: DDDY MX A1
 DDD = DAY OF THE YEAR
 Y = YEAR
 MX = MOLEX
 A = ALPHA CHARACTER - INDICATES MANUFACTURING LINE
 1 = NUMERIC CHARACTER - INDICATES PRODUCTION SHIFT



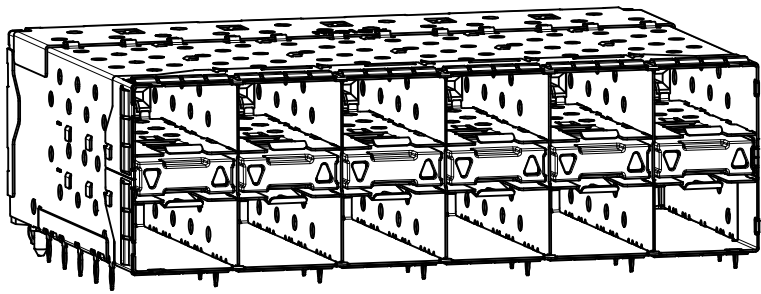
ADD 760485004 EC NO: UCP2011-2450 DRWINWOLFE 2011/03/08 CHKD:MIBARRA 2011/03/08 APPR:SMILLER 2011/11/09 REV:	QUALITY SYMBOLS ▽=0 ▽=0 ▽=0	GENERAL TOLERANCES (UNLESS SPECIFIED) <table border="1"> <thead> <tr> <th></th> <th>mm</th> <th>INCH</th> </tr> </thead> <tbody> <tr> <td>4 PLACES</td> <td>± 0.25</td> <td>± 0.010</td> </tr> <tr> <td>3 PLACES</td> <td>± 0.30</td> <td>± 0.012</td> </tr> <tr> <td>2 PLACES</td> <td>± 0.40</td> <td>± 0.016</td> </tr> <tr> <td>1 PLACE</td> <td>± 0.50</td> <td>± 0.020</td> </tr> </tbody> </table> ANGULAR ± 5°		mm	INCH	4 PLACES	± 0.25	± 0.010	3 PLACES	± 0.30	± 0.012	2 PLACES	± 0.40	± 0.016	1 PLACE	± 0.50	± 0.020	DIMENSION STYLE MM ONLY DRAWN BY DATE MSANDBERG 09/28/2006 CHECKED BY DATE JLONG 09/28/2006 APPROVED BY DATE KREGNIER 09/28/2006	SCALE 3:1 DESIGN UNITS METRIC THIRD ANGLE PROJECTION	TITLE STACKED SFP+ 2X6 ASSY WITH METAL EMI GASKET AND LIGHTPIPES
		mm	INCH																	
	4 PLACES	± 0.25	± 0.010																	
	3 PLACES	± 0.30	± 0.012																	
2 PLACES	± 0.40	± 0.016																		
1 PLACE	± 0.50	± 0.020																		
DRAFT WHERE APPLICABLE MUST REMAIN WITHIN DIMENSIONS		MATERIAL NO. SEE TABLE	MOLEX INCORPORATED	DOCUMENT NO. SD-76048-001	SHEET NO. 1 OF 5															
THIS DRAWING CONTAINS INFORMATION THAT IS PROPRIETARY TO MOLEX INCORPORATED AND SHOULD NOT BE USED WITHOUT WRITTEN PERMISSION																				
© 2009 MOLEX INCORPORATED																				



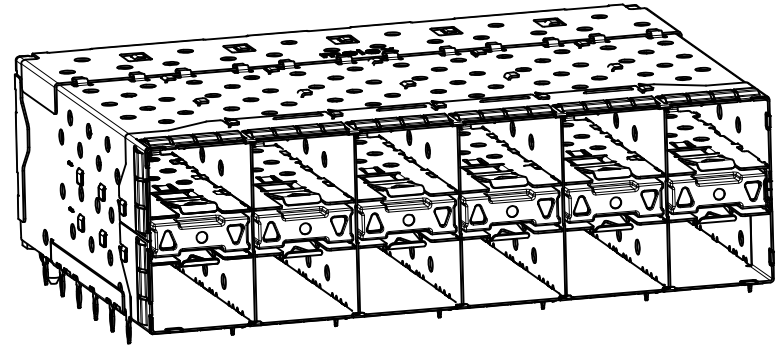
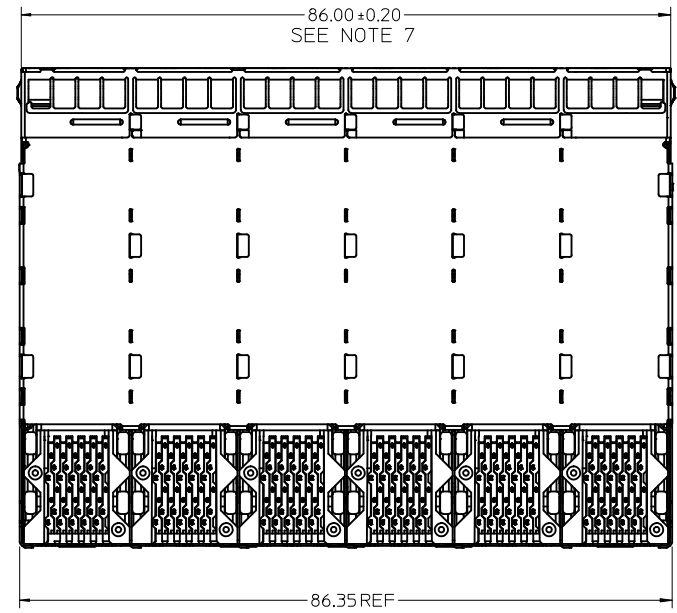
760480001 AND 760485001
WITH INNER AND OUTER LIGHTPIPES



760480002 AND 760485002
WITH INNER LIGHTPIPES

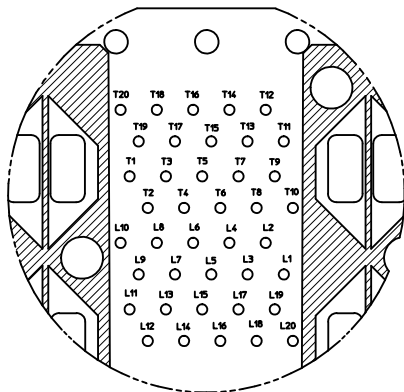


760480003 AND 760485003
WITH OUTER LIGHTPIPES

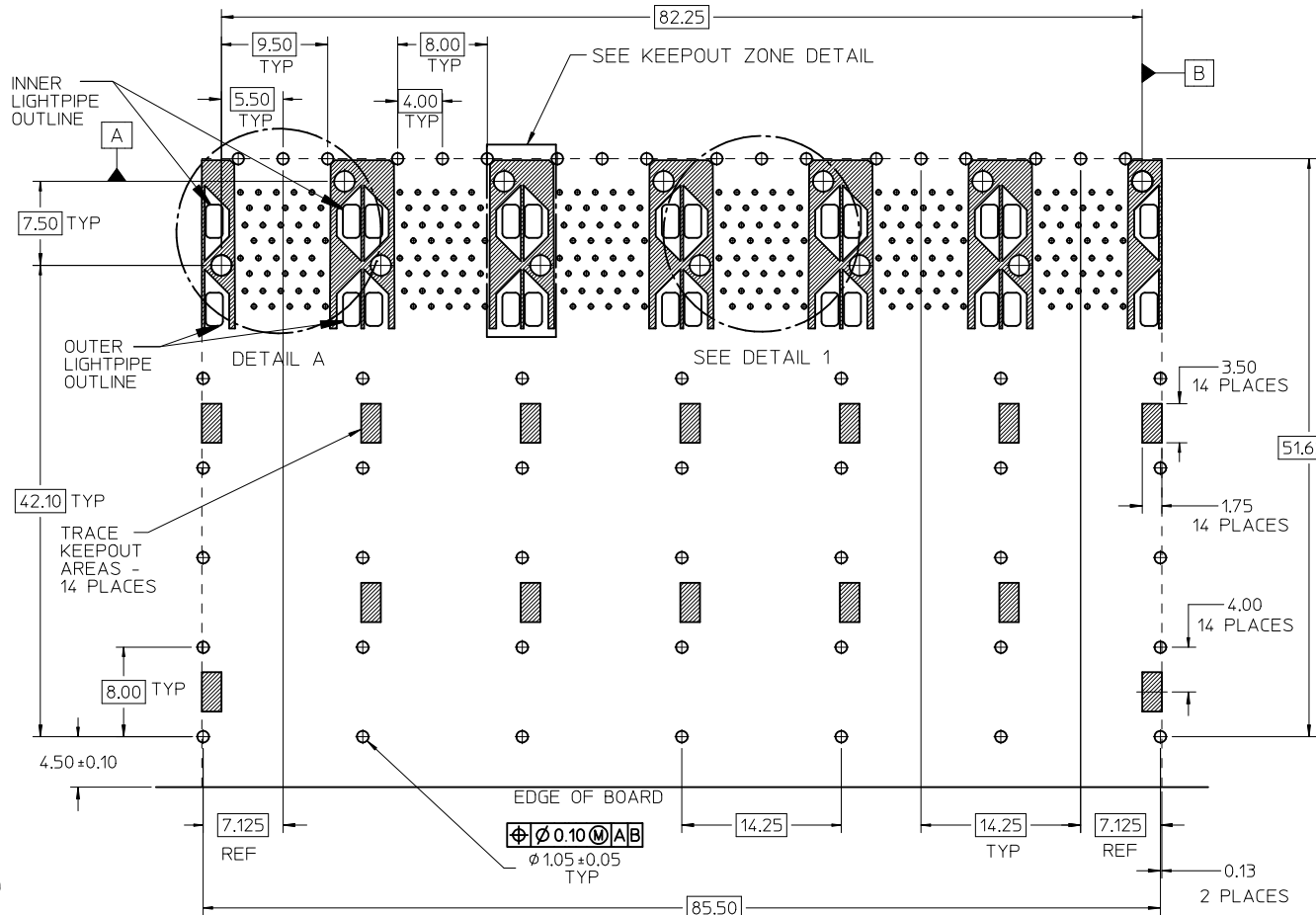


760485004
WITH OUTER LIGHTPIPES

SEE SHEET 1 EC NO: UCP2011-2450 DRWN:WOLFE 2011/03/08 CHKD:MIBARRA 2011/03/08 APPR:SMILLER 2011/11/09	QUALITY SYMBOLS ∇=0 ∇=0 ∇=0	GENERAL TOLERANCES (UNLESS SPECIFIED)		DIMENSION STYLE MM ONLY		SCALE 2:1	DESIGN UNITS METRIC	THIRD ANGLE PROJECTION		
		mm	INCH	DRAWN BY	DATE	TITILE STACKED SFP+ 2X6 ASSY WITH METAL EMI GASKET AND LIGHTPIPES				
		4 PLACES ± ---	± ---	MSANDBERG	09/28/2006					
		3 PLACES ± ---	± ---	CHECKED BY	DATE	MOLEX INCORPORATED DOCUMENT NO. SD-76048-001 SHEET NO. 2 OF 5				
2 PLACES ± 0.13	± ---	JLONG	09/28/2006							
1 PLACE ± 0.25	± ---	APPROVED BY	DATE	THIS DRAWING CONTAINS INFORMATION THAT IS PROPRIETARY TO MOLEX INCORPORATED AND SHOULD NOT BE USED WITHOUT WRITTEN PERMISSION						
ANGULAR ± 5 °		KREGNIER	09/28/2006							
DRAFT WHERE APPLICABLE MUST REMAIN WITHIN DIMENSIONS		SEE TABLE								

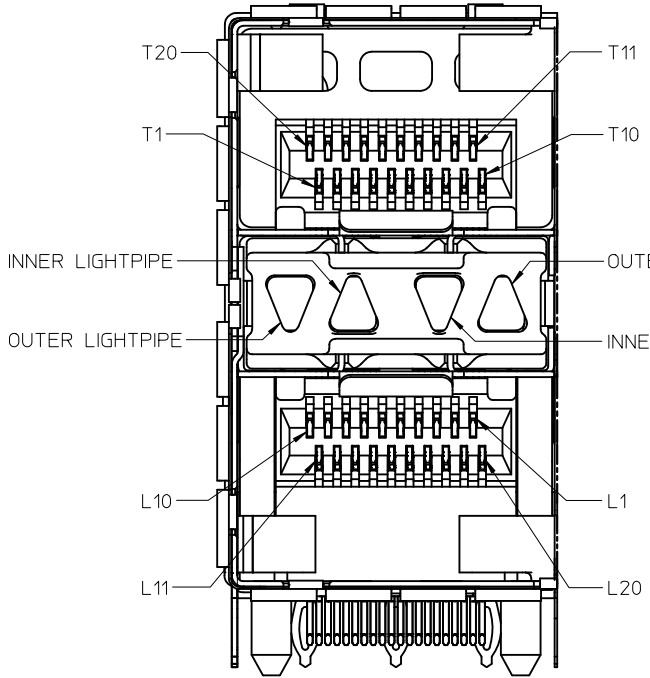


DETAIL 1
SCALE 6:1



RECOMMENDED PCB LAYOUT - COMPONENT SIDE
RECOMMENDED PCB THICKNESS - 2.63 MM (.093 INCH)

THE ENTIRE AREA OF THE CONNECTOR FOOTPRINT
TO BE CONSIDERED THE KEEP OUT AREA FOR COMPONENTS
(OTHER THAN LIGHT PIPE LED'S)
THIS AREA IS INDICATED BY THE DASHED LINE



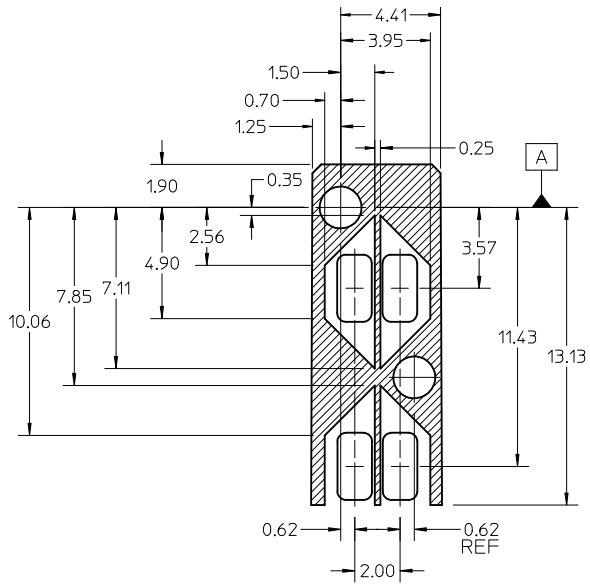
DETAIL 3
SCALE 6:1

ADD DETAIL 3	EC NO: UCP2011-2450	2011/03/08
	DRWN:WOLFE	2011/03/08
	CHKD:MIBARRA	2011/03/08
	APPR:SMILLER	2011/11/09
REV	DESCRIPTION	QUALITY SYMBOLS
D		▽=0
		▽=0
		▽=0

GENERAL TOLERANCES (UNLESS SPECIFIED)	
mm	INCH
4 PLACES ± .05	± .002
3 PLACES ± .03	± .001
2 PLACES ± 0.13	± .005
1 PLACE ± 0.25	± .010
ANGULAR ± 5 °	
DRAFT WHERE APPLICABLE MUST REMAIN WITHIN DIMENSIONS	

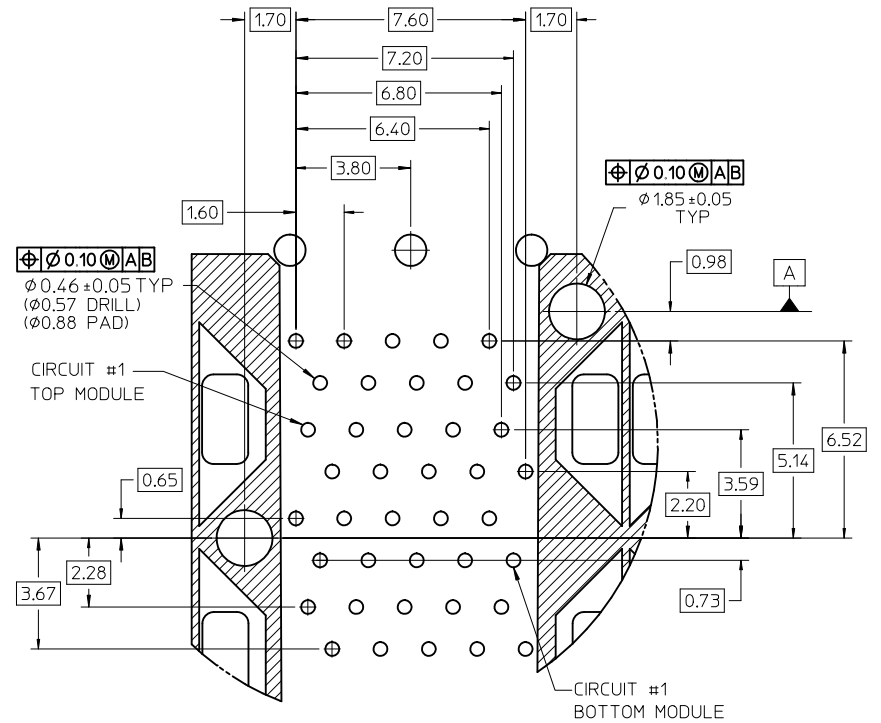
DIMENSION STYLE MM ONLY	
DRAWN BY	DATE
MSANDBERG	09/28/2006
CHECKED BY	DATE
JLONG	09/28/2006
APPROVED BY	DATE
KREGNIER	09/28/2006
MATERIAL NO.	DOCUMENT NO.
SEE TABLE	SD-76048-001

SCALE 3:1	DESIGN UNITS METRIC	THIRD ANGLE PROJECTION
STACKED SFP+ 2X6 ASSY WITH METAL EMI GASKET AND LIGHTPIPES		
MOLEX INCORPORATED		
SHEET NO. 3 OF 5		



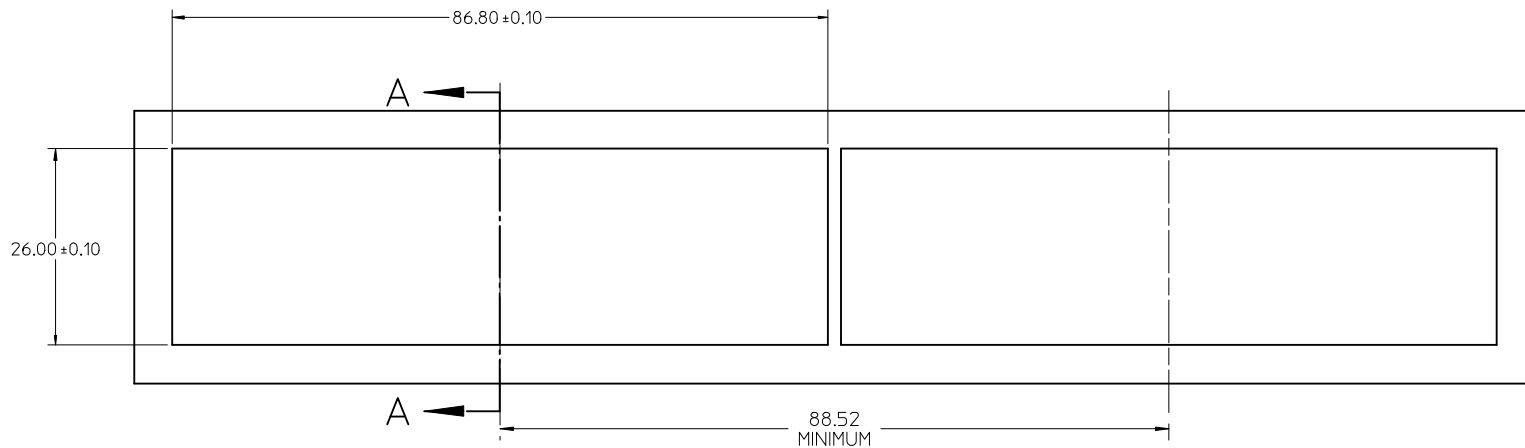
DETAIL - LIGHTPIPE LOCATION AND OTHER ZONES
SCALE 6:1

THE HATCHED AREA IN THIS VIEW INDICATES ZONES THAT ARE OCCUPIED BY THE PLASTIC HOUSING THAT SEATS AGAINST THE PCB AND BY THE VERTICAL METAL CAGE WALL THAT STOPS JUST SHORT OF THE PCB

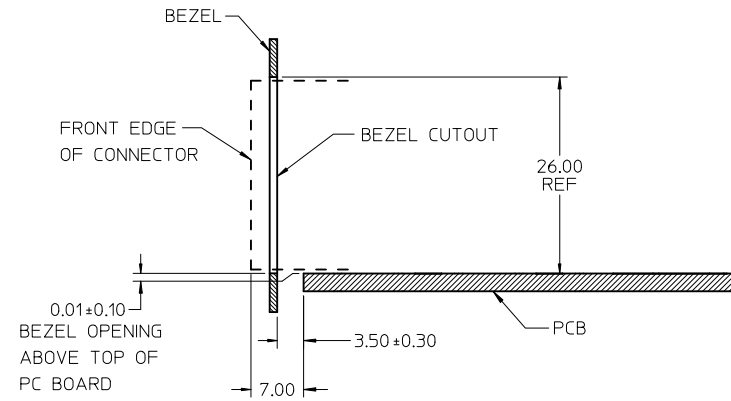


DETAIL A
SCALE 8:1

SEE SHEET 1 EC NO: UCP2011-2450 DRAWN: MWOLFE 2011/03/08 CHKD: MIBARRA 2011/03/08 APPR: SMILLER 2011/11/09	QUALITY SYMBOLS ▽=0 ▽=0 ▽=0	GENERAL TOLERANCES (UNLESS SPECIFIED)		DIMENSION STYLE MM ONLY	SCALE 2:1	DESIGN UNITS METRIC	THIRD ANGLE PROJECTION	
		4 PLACES ± --- ± ---	3 PLACES ± --- ± ---	DRAWN BY MSANDBERG	DATE 09/28/2006	TITLE STACKED SFP+ 2X6 ASSY WITH METAL EMI GASKET AND LIGHTPIPES		
		2 PLACES ± 0.13 ± ---	1 PLACE ± 0.25 ± ---	CHECKED BY JLONG	DATE 09/28/2006	MOLEX INCORPORATED		
		ANGULAR ± 5 °		APPROVED BY KREGNIER	DATE 09/28/2006	DOCUMENT NO. SD-76048-001		
	DRAFT WHERE APPLICABLE MUST REMAIN WITHIN DIMENSIONS	SIZE C	THIS DRAWING CONTAINS INFORMATION THAT IS PROPRIETARY TO MOLEX INCORPORATED AND SHOULD NOT BE USED WITHOUT WRITTEN PERMISSION					SHEET NO. 4 OF 5



BEZEL CUTOUT CENTER SPACING DETAIL
BEZEL THICKNESS 0.8 - 2.6



SECTION A-A
SCALE 2:1

ADD SECOND BEZEL CUTOUT EC NO: UCP2011-2450 DRWN:WOLFE 2011/03/08 CHKD:MIBARRA 2011/03/08 APPR:SMILLER 2011/11/09	QUALITY SYMBOLS ▽=0 ▽=0 ▽=0	GENERAL TOLERANCES (UNLESS SPECIFIED)		DIMENSION STYLE MM ONLY		SCALE 3:1	DESIGN UNITS METRIC	THIRD ANGLE PROJECTION		
				mm	INCH	DRAWN BY MSANDBERG	DATE 09/28/2006	TITLE STACKED SFP+ 2X6 ASSY WITH METAL EMI GASKET AND LIGHTPIPES		
						CHECKED BY JLONG	DATE 09/28/2006			
						APPROVED BY KREGNIER		DATE 09/28/2006	MOLEX INCORPORATED DOCUMENT NO. SD-76048-001	
				MATERIAL NO.		SHEET NO. 5 OF 5				
		DRAFT WHERE APPLICABLE MUST REMAIN WITHIN DIMENSIONS		SEE TABLE		THIS DRAWING CONTAINS INFORMATION THAT IS PROPRIETARY TO MOLEX INCORPORATED AND SHOULD NOT BE USED WITHOUT WRITTEN PERMISSION				