



Chipsmall Limited consists of a professional team with an average of over 10 year of expertise in the distribution of electronic components. Based in Hongkong, we have already established firm and mutual-benefit business relationships with customers from,Europe,America and south Asia,supplying obsolete and hard-to-find components to meet their specific needs.

With the principle of “Quality Parts,Customers Priority,Honest Operation,and Considerate Service”,our business mainly focus on the distribution of electronic components. Line cards we deal with include Microchip,ALPS,ROHM,Xilinx,Pulse,ON,Everlight and Freescale. Main products comprise IC,Modules,Potentiometer,IC Socket,Relay,Connector.Our parts cover such applications as commercial,industrial, and automotives areas.

We are looking forward to setting up business relationship with you and hope to provide you with the best service and solution. Let us make a better world for our industry!



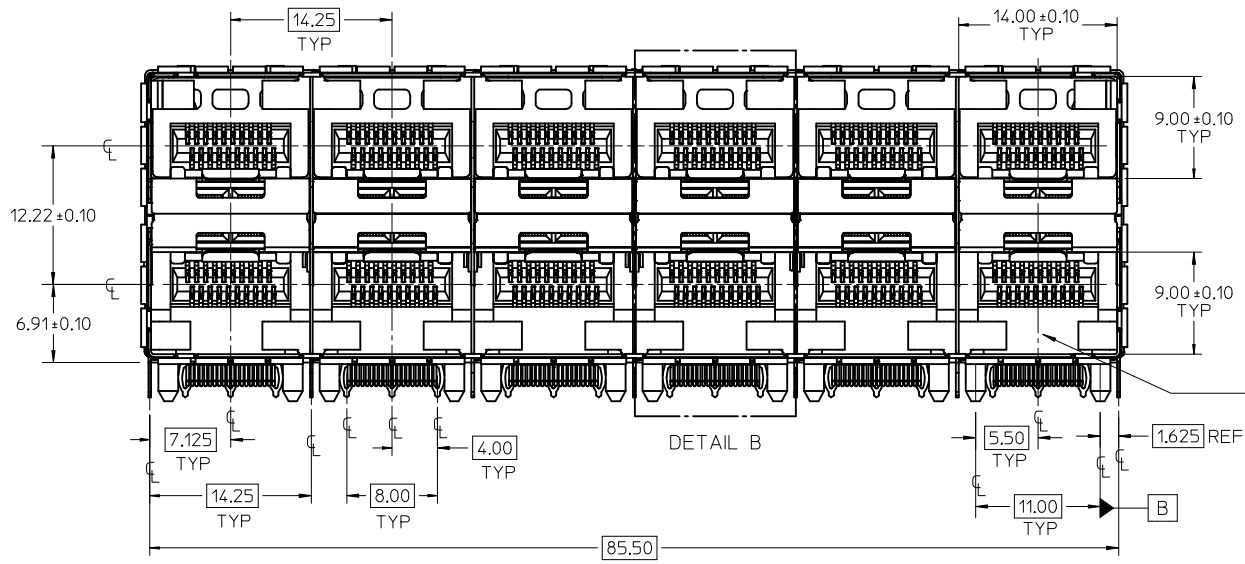
Contact us

Tel: +86-755-8981 8866 Fax: +86-755-8427 6832

Email & Skype: info@chipsmall.com Web: www.chipsmall.com

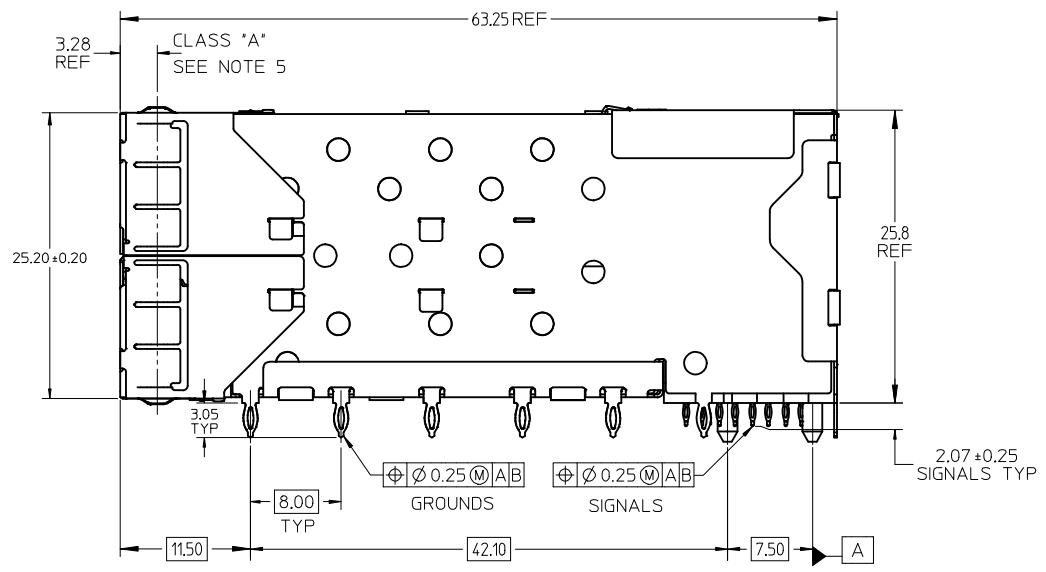
Address: A1208, Overseas Decoration Building, #122 Zhenhua RD., Futian, Shenzhen, China



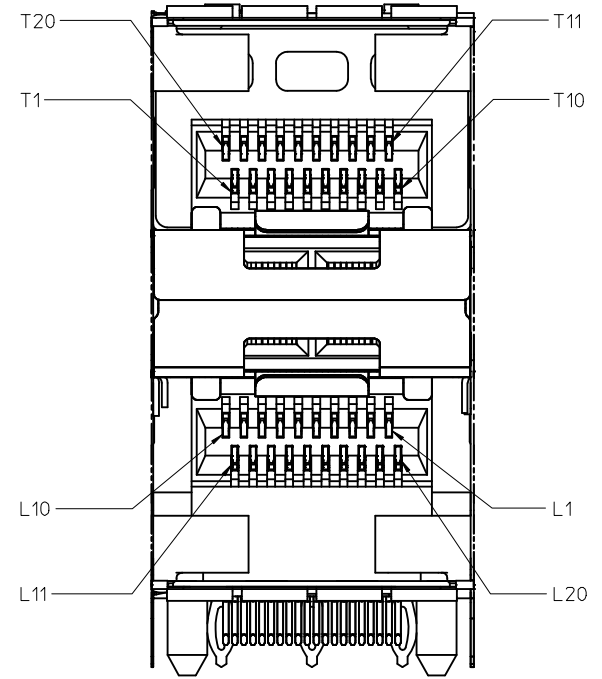
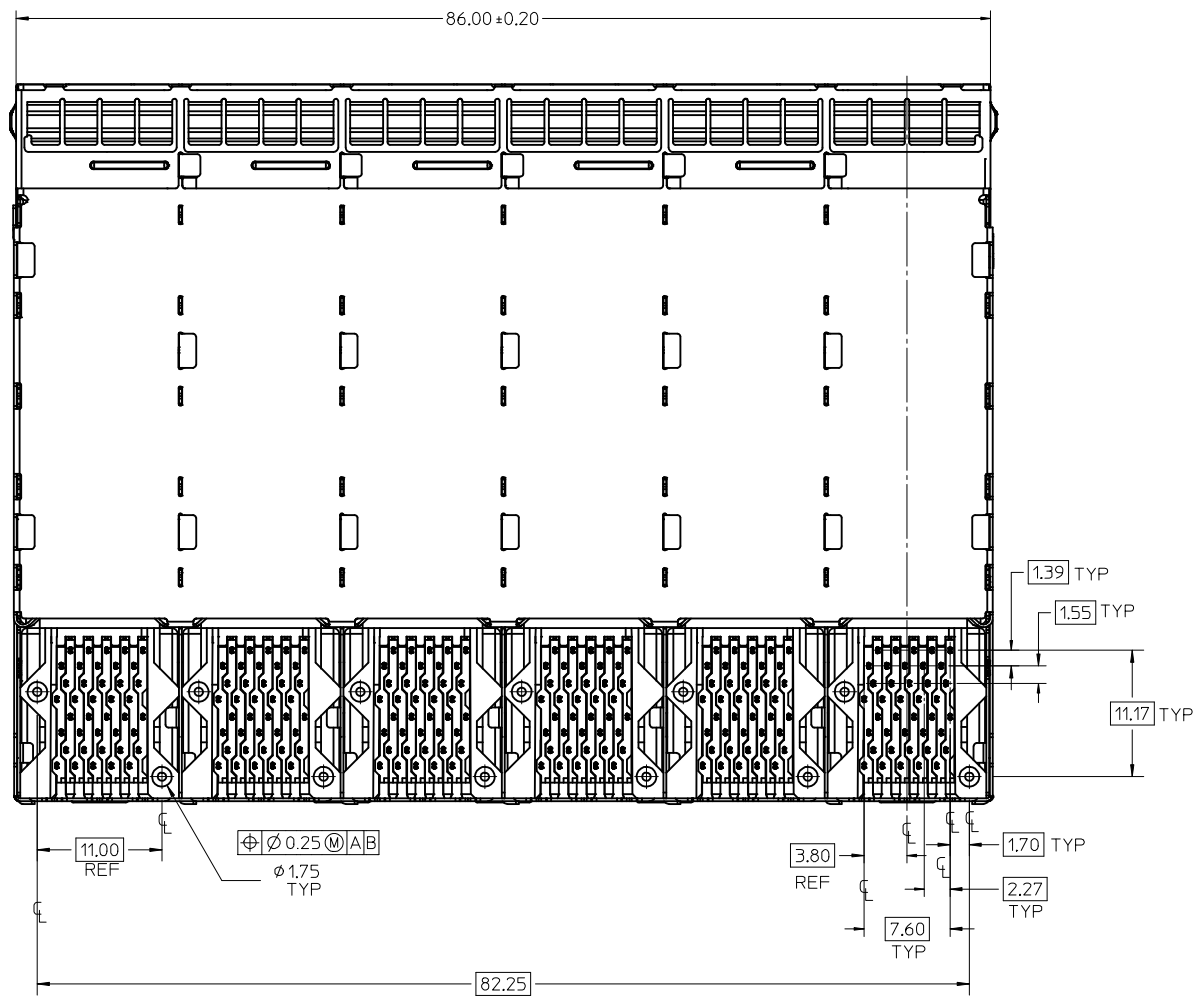


MATERIAL NO.	TAIL PLATING
760680001	MATTE TIN / LEAD
760685001	MATTE TIN

- NOTES:
- MATERIAL:
 - CAGE: NICKEL SILVER, THICKNESS: 0.25mm
 - CONNECTOR HOUSING: GLASS FILLED LIQUID CRYSTAL POLYMER (LCP), UL 94V-0, COLOR: BLACK
 - OVERMOLD TERMINAL HOUSING: GLASS FILLED LIQUID CRYSTAL POLYMER (LCP), UL 94V-0, COLOR: BLACK
 - TERMINALS: TIN BRASS
 - EMI GASKET: CONDUCTIVE ELASTOMER
 - FINISHES:
 - TERMINALS: CONTACT AREA: 0.76 MICROMETERS MINIMUM HARD GOLD OVER 1.27 MICROMETERS MINIMUM NICKEL.
 - COMPLIANT TAIL - MATTE TIN/LEAD OPTION: 0.76 TO 1.52 MICROMETERS 90/10 MATTE TIN-LEAD OVER 0.76 MICROMETERS MINIMUM NICKEL.
 - COMPLIANT TAIL - MATTE TIN OPTION: 0.76 TO 1.52 MICROMETERS MATTE TIN OVER 0.76 MICROMETERS MINIMUM NICKEL.
 - REFER TO PS-75310-001 PRODUCT SPEC FOR ALL ELECTRICAL, MECHANICAL AND ENVIRONMENTAL SPECIFICATIONS.
 - REFER TO PK-75451-001 FOR ALL PACKAGING SPECIFICATIONS.
 - ALL EXTERIOR SURFACES TO BE CLASS "B" SURFACE EXCEPT THE UNDER SIDE OF THE CAGE WHERE THE PCB WOULD BE LOCATED AND AS NOTED. THE SURFACES TO CONFORM TO THE MOLEX COSMETIC DOC PS-45499-002.
 - REFER TO AS-76090-001 FOR HIGH SPEED ROUTING RECOMMENDATIONS.
 - DATE CODE LOCATION IS SHOWN ABOVE.
 - DATE CODE FORMAT: DDDY MX A1
 - DDD = DAY OF THE YEAR
 - Y = YEAR
 - MX = MOLEX
 - A = ALPHA CHARACTER - INDICATES MANUFACTURING LINE
 - 1 = NUMERIC CHARACTER - INDICATES PRODUCTION SHIFT

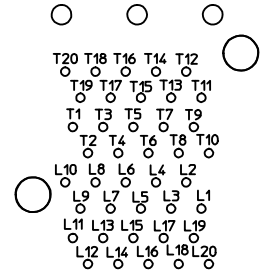


UPDATE BOTTOM VIEW (SHT 2) EC NO: UCP2014-4806 DRW:RWHIPPLE 2014/05/16 CHK:D8BARKER 2014/05/16 APPR:SMILLER 2014/05/22	QUALITY SYMBOLS ▽=0 ▽=0 ▽=0	GENERAL TOLERANCES (UNLESS SPECIFIED)		DIMENSION STYLE MM ONLY		SCALE 3:1	DESIGN UNITS METRIC	THIRD ANGLE PROJECTION			
		4 PLACES ± --- ± ---	3 PLACES ± --- ± ---	2 PLACES ± 0.13 ± ---	1 PLACE ± 0.25 ± ---	0 PLACE ± ±	DRAWN BY JLONG	DATE 09/05/2007	TITLE STACKED SFP+ 2X6 ASS'Y WITH METAL EMI GASKET		
		ANGULAR ± 5 °					CHECKED BY JLONG	DATE 09/05/2007	APPROVED BY MBANAKIS		
		DRAFT WHERE APPLICABLE MUST REMAIN WITHIN DIMENSIONS					MATERIAL NO. SEE TABLE	DATE 09/05/2007	DOCUMENT NO. SD-76068-001		
					SIZE C	THIS DRAWING CONTAINS INFORMATION THAT IS PROPRIETARY TO MOLEX. INCORPORATED AND SHOULD NOT BE USED WITHOUT WRITTEN PERMISSION					

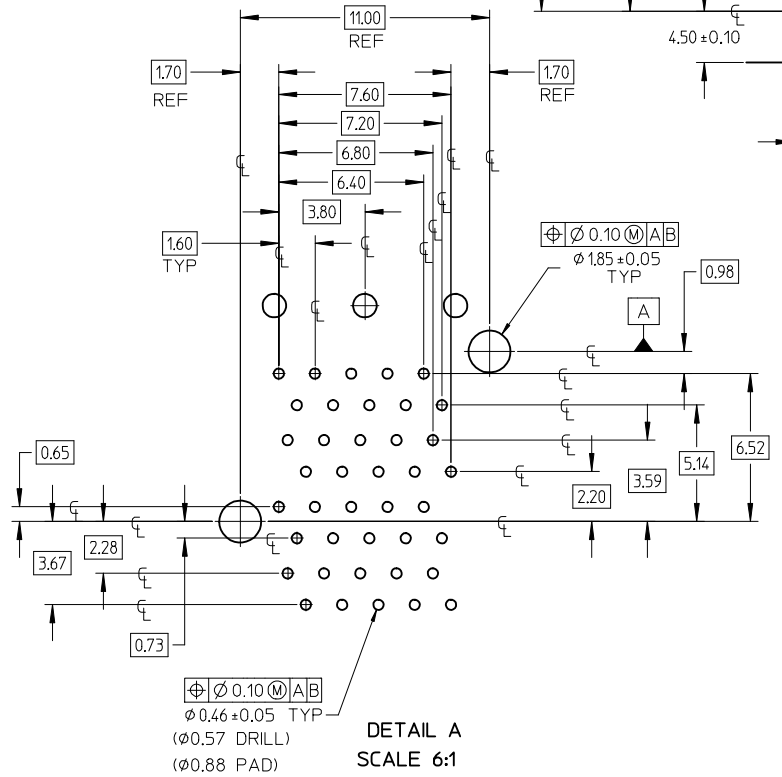


DETAIL B
SCALE 6:1
CIRCUIT NUMBERING

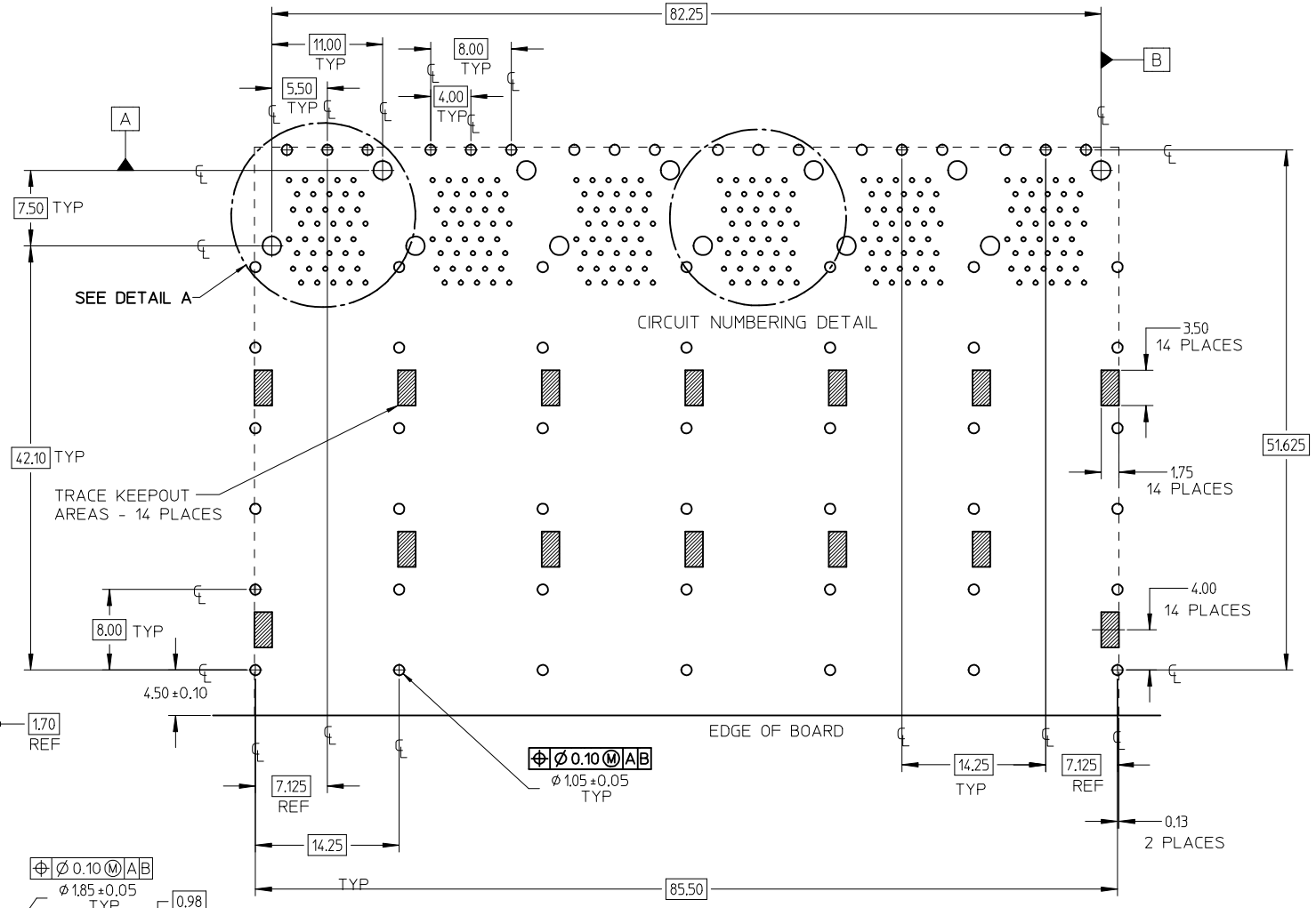
SEE SHEET 1 EC NO: UCP2014-4806 DRWN:RWHIPPLE 2014/05/16 CHKD:BBARKER 2014/05/16 APPR:SMILLER 2014/05/22	QUALITY SYMBOLS	GENERAL TOLERANCES (UNLESS SPECIFIED)		DIMENSION STYLE	SCALE	DESIGN UNITS	THIRD ANGLE PROJECTION
	▽=0	mm	INCH	MM ONLY	3:1	METRIC	☉
	▽=0	4 PLACES ± ---	± ---	DRAWN BY	DATE	TITLE	STACKED SFP+ 2X6 ASS'Y WITH METAL EMI GASKET
	▽=0	3 PLACES ± ---	± ---	JLONG	09/05/2007	MOLEX SD-76068-001	
▽=0	2 PLACES ± 0.13	± ---	CHECKED BY	DATE	DOCUMENT NO.	SHEET NO.	
▽=0	1 PLACE ± 0.25	± ---	JLONG	09/05/2007	SD-76068-001	2 OF 4	
REV	DESCRIPTION	ANGULAR ± 5 °		APPROVED BY	DATE	THIS DRAWING CONTAINS INFORMATION THAT IS PROPRIETARY TO MOLEX. INCORPORATED AND SHOULD NOT BE USED WITHOUT WRITTEN PERMISSION	
1		DRAFT WHERE APPLICABLE MUST REMAIN WITHIN DIMENSIONS		MBANAKIS	09/05/2007		



CIRCUIT NUMBERING DETAIL
 SCALE 5:1

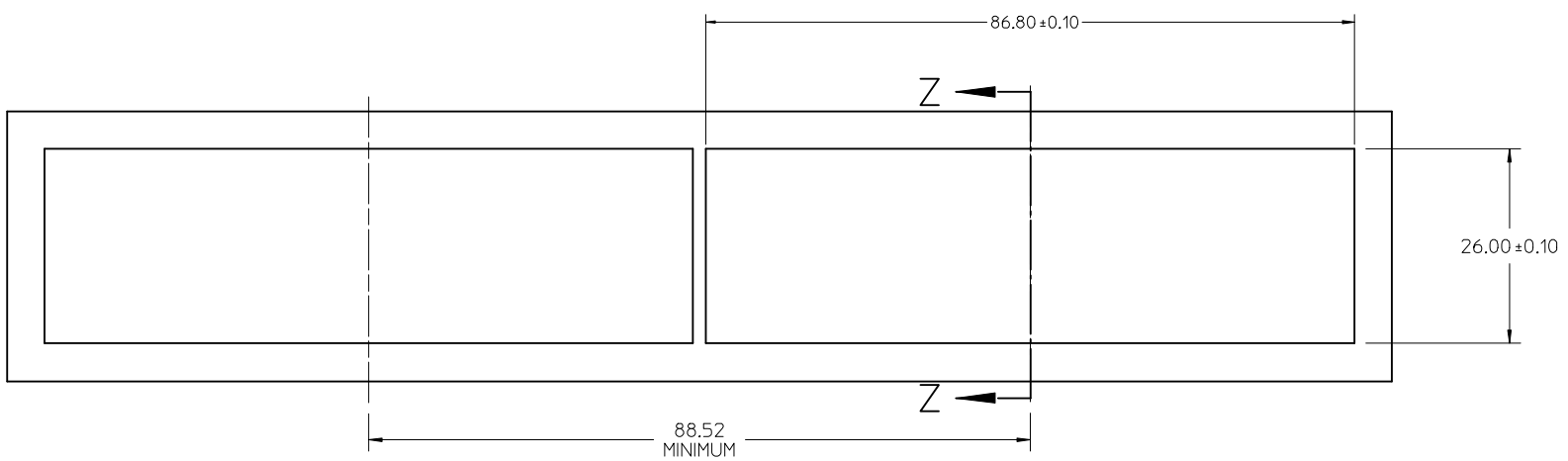


DETAIL A
 SCALE 6:1

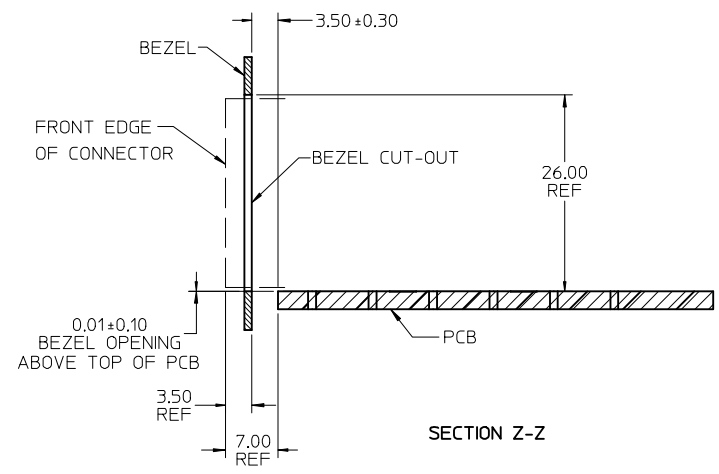


RECOMMENDED PCB LAYOUT - COMPONENT SIDE
 RECOMMENDED PCB THICKNESS - 2.36 MM (.093 INCH)
 THE ENTIRE AREA OF CONNECTOR FOOTPRINT
 TO BE CONSIDERED THE KEEP OUT AREA FOR COMPONENTS
 THIS AREA IS INDICATED BY THE DASHED LINE

SEE SHEET 1 EC NO: UCP2014-4806 DRW:RWHIPPLE 2014/05/16 CHK:DDBARKER 2014/05/16 APPR:SMILLER 2014/05/22	QUALITY SYMBOLS ▽=0 ▽=0 ▽=0	GENERAL TOLERANCES (UNLESS SPECIFIED) <table border="1"> <thead> <tr> <th></th> <th>mm</th> <th>INCH</th> </tr> </thead> <tbody> <tr> <td>4 PLACES</td> <td>± ---</td> <td>± ---</td> </tr> <tr> <td>3 PLACES</td> <td>± ---</td> <td>± ---</td> </tr> <tr> <td>2 PLACES</td> <td>± 0.13</td> <td>± ---</td> </tr> <tr> <td>1 PLACE</td> <td>± 0.25</td> <td>± ---</td> </tr> <tr> <td>0 PLACE</td> <td>±</td> <td>±</td> </tr> </tbody> </table>		mm	INCH	4 PLACES	± ---	± ---	3 PLACES	± ---	± ---	2 PLACES	± 0.13	± ---	1 PLACE	± 0.25	± ---	0 PLACE	±	±	DIMENSION STYLE MM ONLY DRAWN BY DATE JLONG 09/05/2007 CHECKED BY DATE JLONG 09/05/2007 APPROVED BY DATE MBANAKIS 09/05/2007	SCALE 3:1 DESIGN UNITS METRIC THIRD ANGLE PROJECTION	TITLE STACKED SFP+ 2X6 ASS'Y WITH METAL EMI GASKET
		mm	INCH																				
	4 PLACES	± ---	± ---																				
	3 PLACES	± ---	± ---																				
	2 PLACES	± 0.13	± ---																				
1 PLACE	± 0.25	± ---																					
0 PLACE	±	±																					
MATERIAL NO. SEE SHEET 1	DOCUMENT NO. SD-76068-001	SHEET NO. 3 OF 4																					
DRAFT WHERE APPLICABLE MUST REMAIN WITHIN DIMENSIONS			THIS DRAWING CONTAINS INFORMATION THAT IS PROPRIETARY TO MOLEX INCORPORATED AND SHOULD NOT BE USED WITHOUT WRITTEN PERMISSION																				



BEZEL CUT-OUT DETAIL
BEZEL THICKNESS: 0.8 - 2.6



SEE SHEET 1 EC NO: UCP2014-4806 DRW:RWHIPPLE 2014/05/16 CHKD:BBARKER 2014/05/16 APPR:SMILLER 2014/05/22	QUALITY SYMBOLS	GENERAL TOLERANCES (UNLESS SPECIFIED)	DIMENSION STYLE	SCALE	DESIGN UNITS	THIRD ANGLE PROJECTION
	▽=0	mm INCH	MM ONLY	2:1	METRIC	
	▽=0	4 PLACES ± --- ± ---	DRAWN BY DATE	TITLE		
	▽=0	3 PLACES ± --- ± ---	JLONG 09/05/2007	STACKED SFP+ 2X6 ASS'Y WITH METAL EMI GASKET		
	▽=0	2 PLACES ± 0.13 ± ---	CHECKED BY DATE	molex DOCUMENT NO. SD-76068-001 SHEET NO. 4 OF 4		
	1 PLACE ± 0.25 ± ---	JLONG 09/05/2007				
	0 PLACE ± ±	APPROVED BY DATE				
		MBANAKIS 09/05/2007				
		MATERIAL NO.				
		ANGULAR ± 5 °				
		DRAFT WHERE APPLICABLE MUST REMAIN WITHIN DIMENSIONS				
		SIZE				
		C	THIS DRAWING CONTAINS INFORMATION THAT IS PROPRIETARY TO MOLEX INCORPORATED AND SHOULD NOT BE USED WITHOUT WRITTEN PERMISSION			