



Chipsmall Limited consists of a professional team with an average of over 10 year of expertise in the distribution of electronic components. Based in Hongkong, we have already established firm and mutual-benefit business relationships with customers from,Europe,America and south Asia,supplying obsolete and hard-to-find components to meet their specific needs.

With the principle of “Quality Parts,Customers Priority,Honest Operation,and Considerate Service”,our business mainly focus on the distribution of electronic components. Line cards we deal with include Microchip,ALPS,ROHM,Xilinx,Pulse,ON,Everlight and Freescale. Main products comprise IC,Modules,Potentiometer,IC Socket,Relay,Connector.Our parts cover such applications as commercial,industrial, and automotives areas.

We are looking forward to setting up business relationship with you and hope to provide you with the best service and solution. Let us make a better world for our industry!



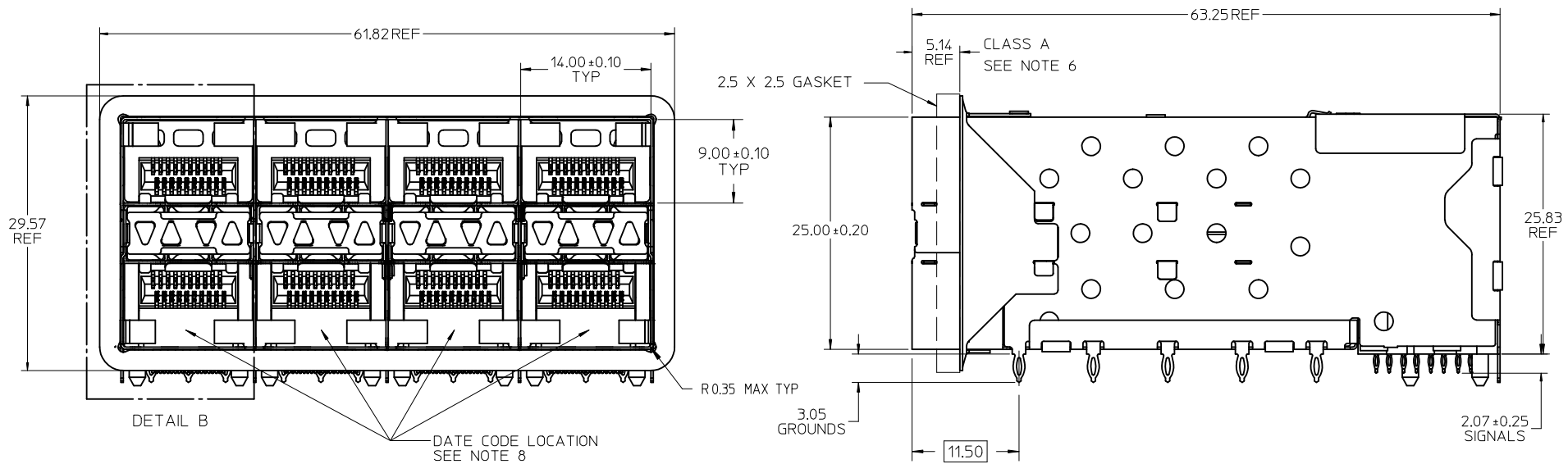
## Contact us

Tel: +86-755-8981 8866 Fax: +86-755-8427 6832

Email & Skype: info@chipsmall.com Web: www.chipsmall.com

Address: A1208, Overseas Decoration Building, #122 Zhenhua RD., Futian, Shenzhen, China





**NOTES**

**1. MATERIAL:**

- CAGE: NICKEL SILVER, THICKNESS: 0.25mm
- CONNECTOR HOUSING: GLASS FILLED LIQUID CRYSTAL POLYMER (LCP), UL 94V-0, COLOR: BLACK
- OVERMOLD TERMINAL HOUSING: GLASS FILLED LIQUID CRYSTAL POLYMER (LCP), UL 94V-0, COLOR: BLACK
- TERMINALS: TIN BRASS
- EMI GASKET: CONDUCTIVE ELASTOMER
- LIGHTPIPE HOUSING: ZINC
- LIGHTPIPES: POLYCARBONATE, COLOR: CLEAR

**2. FINISHES:**

- TERMINALS: CONTACT AREA: 0.76 MICROMETERS MINIMUM HARD GOLD OVER 1.27 MICROMETERS MINIMUM NICKEL.
- COMPLIANT TAIL - MATTE TIN/LEAD OPTION: 0.76 TO 1.52 MICROMETERS 90/10 MATTE TIN-LEAD OVER 0.76 MICROMETERS MINIMUM NICKEL.
- COMPLIANT TAIL - MATTE TIN OPTION: 0.76 TO 1.52 MICROMETERS MATTE TIN OVER 0.76 MICROMETERS MINIMUM NICKEL.
- LIGHTPIPE HOUSING: 80 MICROMETERS MINIMUM NICKEL OVER COPPER

- 3. REFER TO PS-75310-001 PRODUCT SPEC FOR ALL ELECTRICAL, MECHANICAL AND ENVIRONMENTAL SPECIFICATIONS.
- 4. LIGHT PIPE PAD LAYOUT IS FOR 0805 LOW-PROFILE LED PACKAGE, FOR OTHER RECOMMENDED LAYOUTS REFER TO MOLEX'S REPORT TS-75310-001.
- 5. REFER TO PK-75450-001 FOR ALL PACKAGING SPECIFICATIONS.
- 6. ALL EXTERIOR SURFACES TO BE CLASS 'B' SURFACE EXCEPT THE UNDER SIDE OF THE CAGE WHERE THE PCB WOULD BE LOCATED AND AS NOTED. THE SURFACES TO CONFORM TO THE MOLEX COSMETIC DOC PS-45499-002.
- 7. REFER TO AS-76090-001 FOR HIGH SPEED ROUTING RECOMMENDATIONS.
- 8. DATE CODE LOCATION IS SHOWN ABOVE.

DATE CODE FORMAT: DDDY MX A1

DDD = DAY OF THE YEAR

Y = YEAR

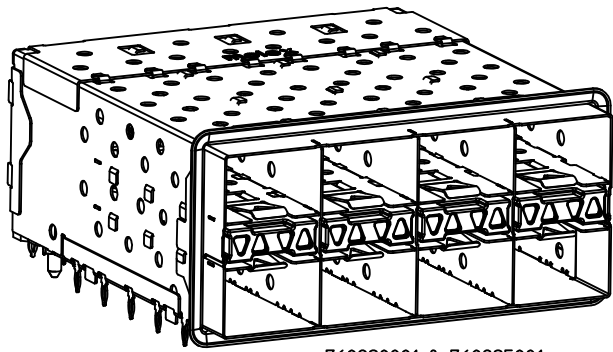
MX = MOLEX

A = ALPHA CHARACTER - INDICATES MANUFACTURING LINE

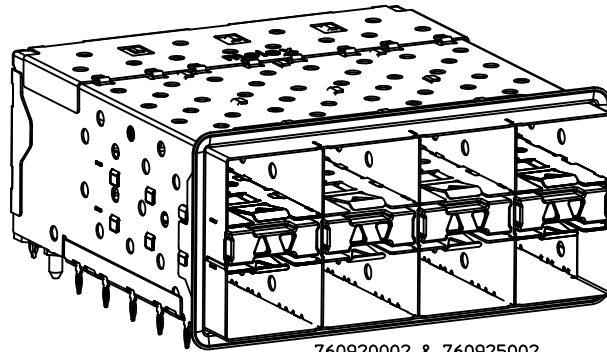
1 = NUMERIC CHARACTER - INDICATES PRODUCTION SHIFT

PART NUMBER	DESCRIPTION	VIEW	COMPLIANT TAIL PLATING	CAGE PLATING
760920001	4 LIGHT PORTS	SEE PG 2	MATTE TIN / LEAD	N/A
760920002	INNER 2 PORTS	SEE PG 2	MATTE TIN / LEAD	N/A
760920003	OUTER 2 PORTS	SEE PG 2	MATTE TIN / LEAD	N/A
760925001	4 LIGHT PORTS	SEE PG 2	MATTE TIN	N/A
760925002	INNER 2 PORTS	SEE PG 2	MATTE TIN	N/A
760925003	OUTER 2 PORTS	SEE PG 2	MATTE TIN	N/A

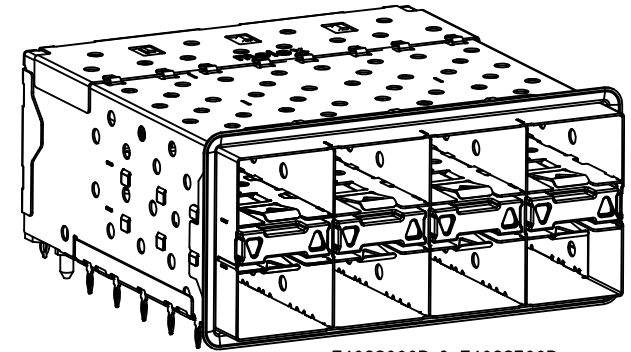
<b>ADD NOTE 7 &amp; 8</b> EC NO: UCP2011-2594 DR: WIMOLFE 2011/02/28 CHK: BBARKER 2011/02/28 APPR: SMILLER 2011/09/20	DESCRIPTION QUALITY SYMBOLS ▽=0 ▽=0 ▽=0	GENERAL TOLERANCES (UNLESS SPECIFIED)		DIMENSION STYLE <b>MM ONLY</b>		SCALE <b>3:1</b>	DESIGN UNITS <b>METRIC</b>	THIRD ANGLE PROJECTION																	
		<table border="1"> <thead> <tr> <th></th> <th>mm</th> <th>INCH</th> </tr> </thead> <tbody> <tr> <td>4 PLACES</td> <td>± ---</td> <td>± ---</td> </tr> <tr> <td>3 PLACES</td> <td>± ---</td> <td>± ---</td> </tr> <tr> <td>2 PLACES</td> <td>± 0.13</td> <td>± ---</td> </tr> <tr> <td>1 PLACE</td> <td>± 0.25</td> <td>± ---</td> </tr> </tbody> </table>			mm	INCH	4 PLACES	± ---	± ---	3 PLACES	± ---	± ---	2 PLACES	± 0.13	± ---	1 PLACE	± 0.25	± ---	DRAWN BY DATE JLONG 01-26-2007		TITLE <b>STACKED SFP+ 2X4 ASS'Y WITH ELASTOMERIC GASKET AND LIGHTPIPES</b>		<b>MOLEX INCORPORATED</b> DOCUMENT NO. <b>SD-76092-001</b>		SHEET NO. 1 OF 4
			mm	INCH																					
		4 PLACES	± ---	± ---																					
3 PLACES	± ---	± ---																							
2 PLACES	± 0.13	± ---																							
1 PLACE	± 0.25	± ---																							
ANGULAR ± 5 °		CHECKED BY DATE MSANDBERG 01-26-2007		APPROVED BY DATE RNELSON 01-26-2007																					
DRAFT WHERE APPLICABLE MUST REMAIN WITHIN DIMENSIONS		SEE TABLE		THIS DRAWING CONTAINS INFORMATION THAT IS PROPRIETARY TO MOLEX INCORPORATED AND SHOULD NOT BE USED WITHOUT WRITTEN PERMISSION																					



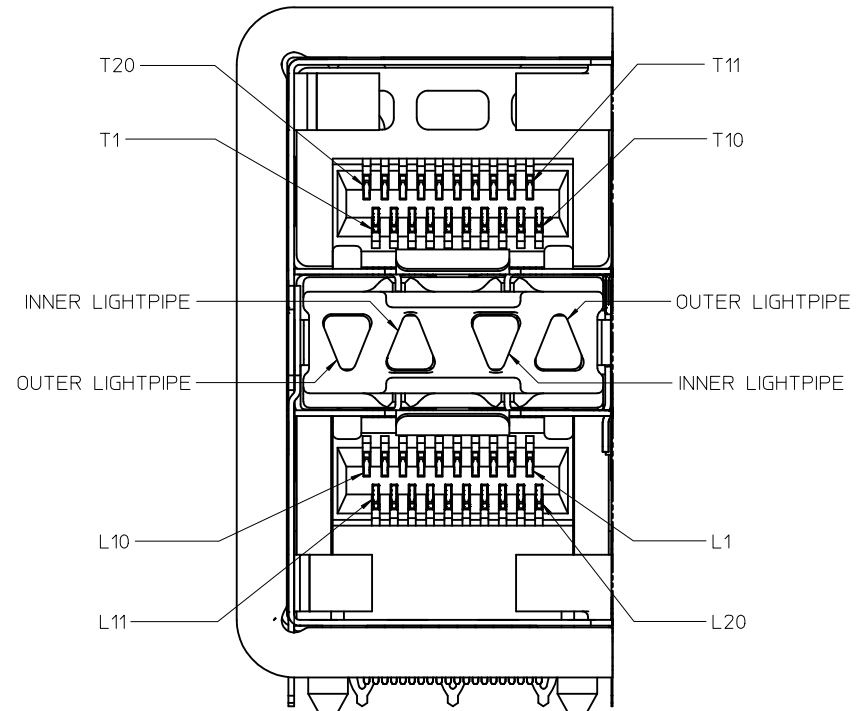
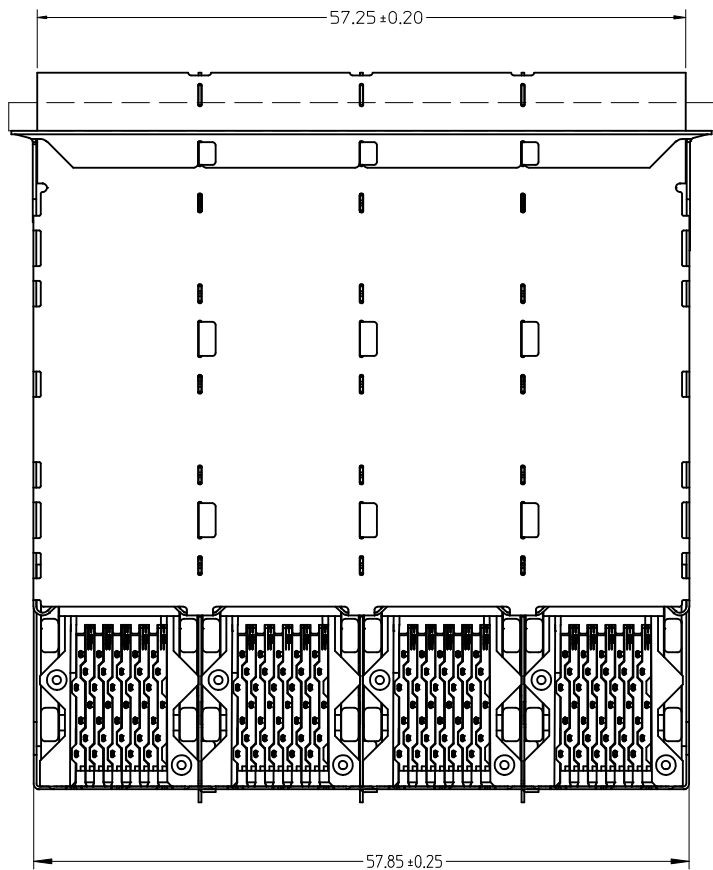
760920001 & 760925001  
WITH INNER & OUTER LIGHTPIPE PORTS



760920002 & 760925002  
WITH INNER LIGHTPIPE PORTS

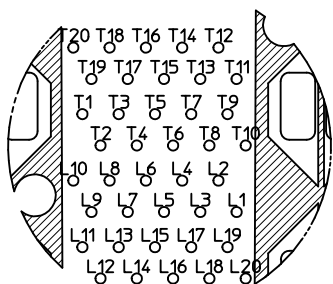


760920003 & 760925003  
WITH OUTER LIGHTPIPE PORTS

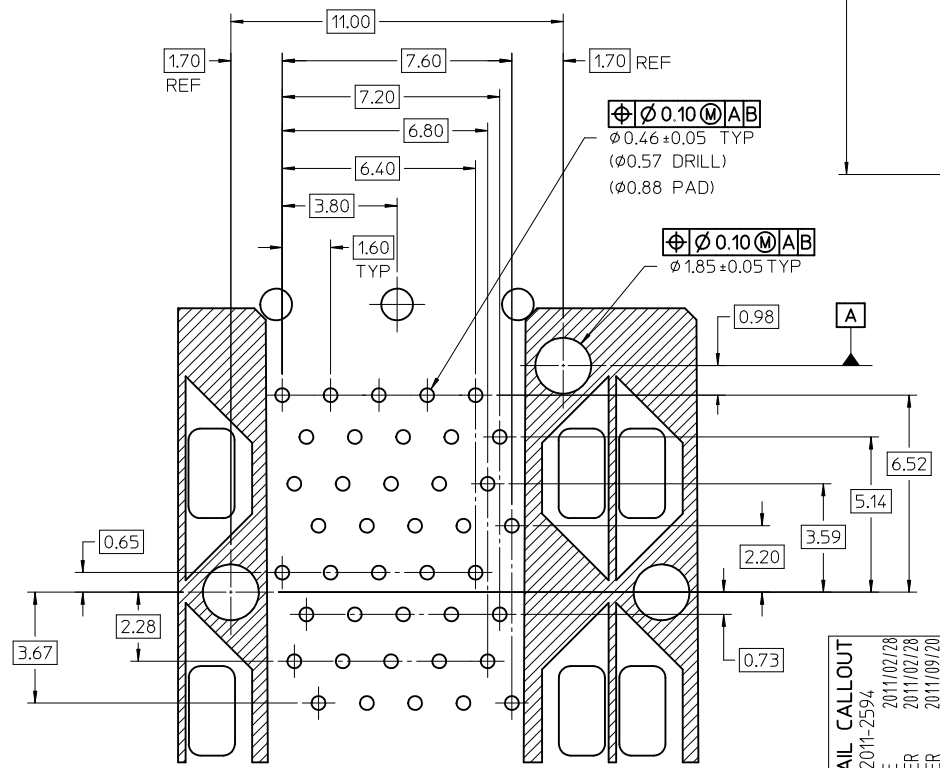
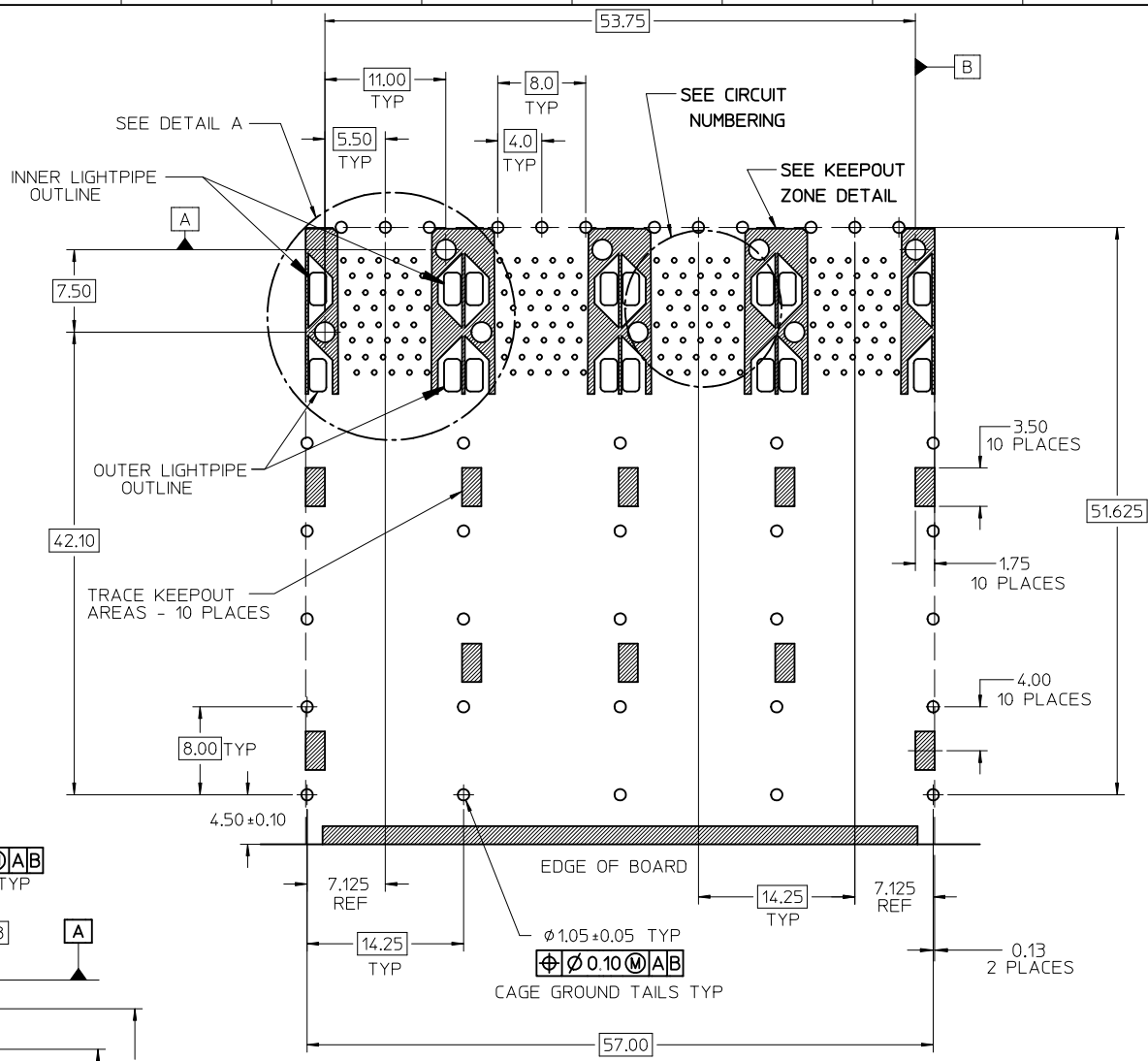


DETAIL B SCALE 6:1  
CIRCUIT NUMBERING AND LIGHTPIPE IDENTIFICATION

<b>ADD DETAIL B</b> EC NO: UCP2011-2594 DRWN:WOLFE 2011/02/28 CHKD:BBARKER 2011/02/28 APPR:SMILLER 2011/09/20	QUALITY SYMBOLS ▽=0 ▽=0 ▽=0	GENERAL TOLERANCES (UNLESS SPECIFIED)		DIMENSION STYLE <b>MM ONLY</b>	SCALE <b>3:1</b>	DESIGN UNITS <b>METRIC</b>	THIRD ANGLE PROJECTION		
		4 PLACES ± --- ± --- 3 PLACES ± --- ± --- 2 PLACES ± 0.13 ± --- 1 PLACE ± 0.25 ± ---	mm INCH --- --- --- --- --- --- --- ---	DRAWN BY JLONG	DATE 01-26-2007	CHECKED BY MSANDBERG	DATE 01-26-2007	<b>STACKED SFP+ 2X4 ASS'Y WITH ELASTOMERIC GASKET AND LIGHTPIPES</b>	
		ANGULAR ± 5 °		APPROVED BY RNELSON	DATE 01-26-2007	<b>MOLEX INCORPORATED</b>		MATERIAL NO. <b>SEE TABLE</b>	DOCUMENT NO. <b>SD-76092-001</b>
		DRAFT WHERE APPLICABLE MUST REMAIN WITHIN DIMENSIONS		SIZE <b>C</b>	THIS DRAWING CONTAINS INFORMATION THAT IS PROPRIETARY TO MOLEX INCORPORATED AND SHOULD NOT BE USED WITHOUT WRITTEN PERMISSION				



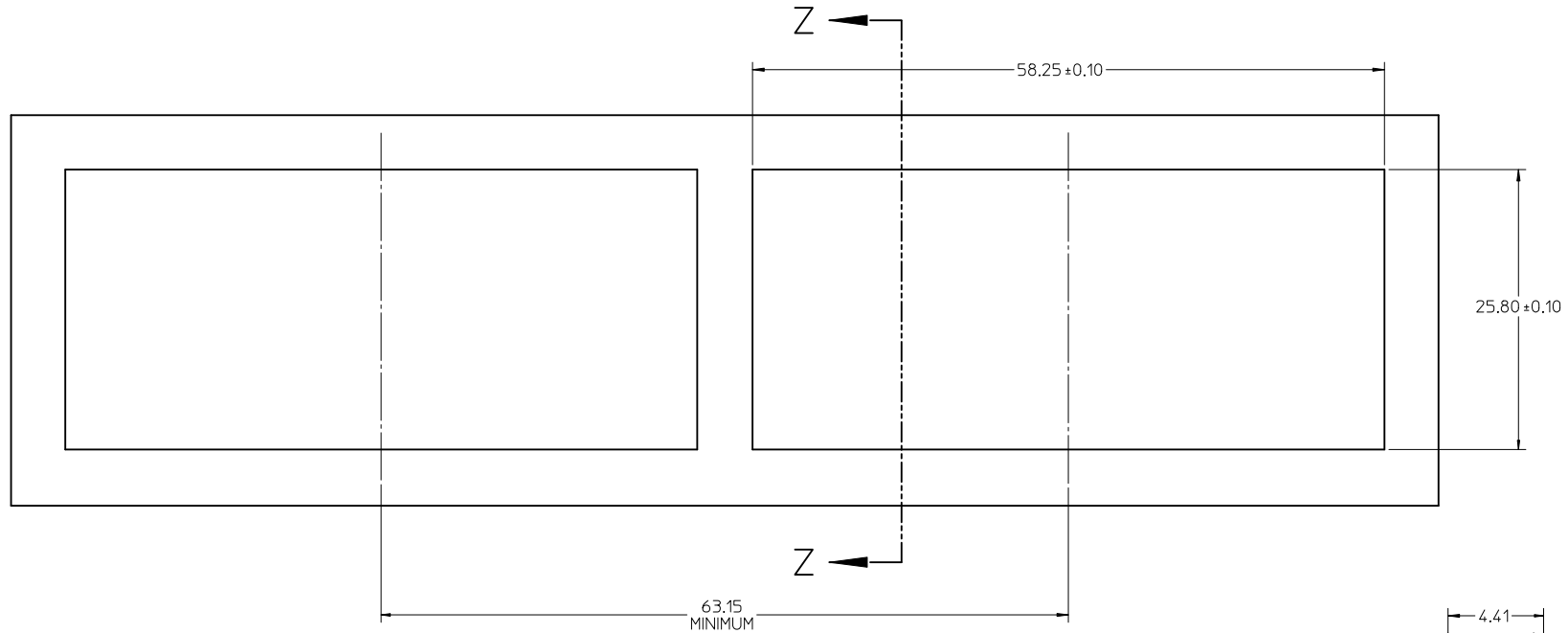
CIRCUIT NUMBERING  
COMPONENT SIDE OF BOARD



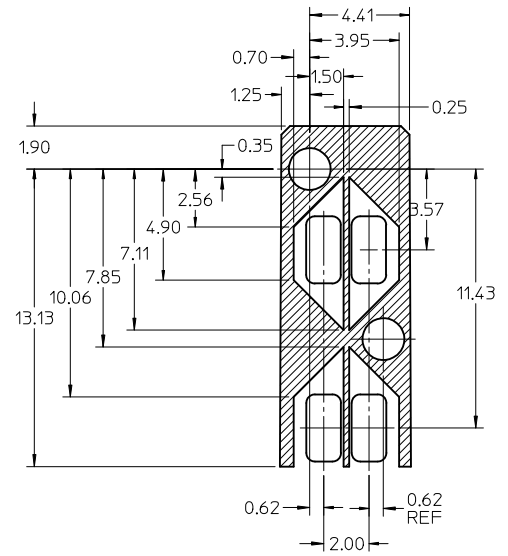
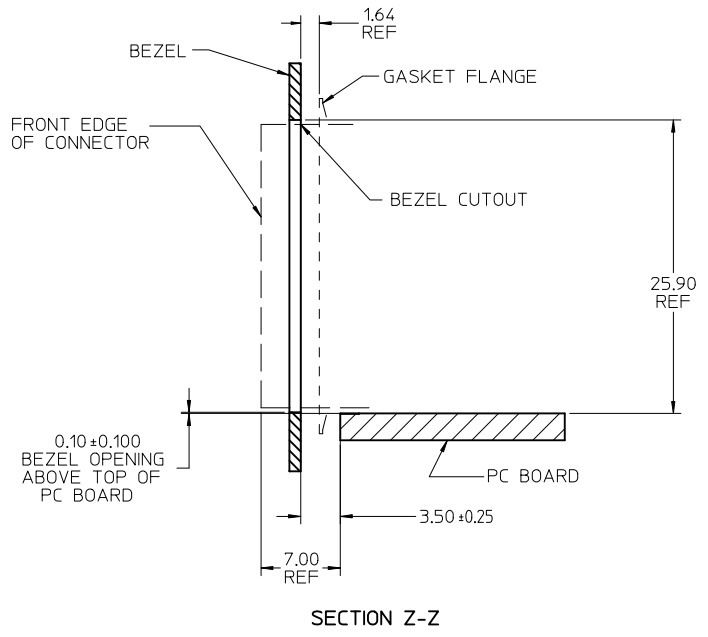
DETAIL A  
SCALE 8:1

RECOMMENDED PCB LAYOUT - COMPONENT SIDE  
MINIMUM PCB THICKNESS OF 1.57MM  
THE ENTIRE AREA OF THE CONNECTOR FOOTPRINT  
TO BE CONSIDERED THE KEEP OUT AREA INDICATED  
BY THE DASHED LINE

<b>CHG DETAIL CALLOUT</b> EC NO: UCP2011-2594 DRWN: MWOLFE CHKD: BARKER APPR: SMILLER	2011/02/28 2011/02/28 2011/09/20	QUALITY SYMBOLS ▽=0 ▽=0 ▽=0	GENERAL TOLERANCES (UNLESS SPECIFIED)		DIMENSION STYLE	SCALE	DESIGN UNITS	THIRD ANGLE PROJECTION			
					MM ONLY	3:1	METRIC				
			mm	INCH	DRAWN BY		DATE	TITLE			
					JLONG		01-26-2007	STACKED SFP+ 2X4 ASS'Y WITH ELASTOMERIC GASKET AND LIGHTPIPES			
		CHECKED BY		DATE	MATERIAL NO.						
		MSANDBERG		01-26-2007	DOCUMENT NO.						
		APPROVED BY		DATE	MATERIAL NO.						
		RNELSON		01-26-2007	DOCUMENT NO.						
		ANGULAR ± 5 °		SEE TABLE		SD-76092-001					
DRAFT WHERE APPLICABLE MUST REMAIN WITHIN DIMENSIONS		SIZE C		THIS DRAWING CONTAINS INFORMATION THAT IS PROPRIETARY TO MOLEX INCORPORATED AND SHOULD NOT BE USED WITHOUT WRITTEN PERMISSION							



BEZEL CUTOUT CENTER SPACING DETAIL  
BEZEL THICKNESS 0.8-2.6



KEEP OUT ZONE DETAIL - LIGHTPIPE LOCATION AND OTHER ZONES  
SCALE 6:1

DELETE MIDDLE BEZEL DIM EC NO: UCP2011-2594 DRAWN: MOLF 2011/02/28 CHKD: BBARKER 2011/02/28 APPR: SMILLER 2011/09/20	QUALITY SYMBOLS ∇=0 ∇=0 ∇=0	GENERAL TOLERANCES (UNLESS SPECIFIED)		DIMENSION STYLE <b>MM ONLY</b>	SCALE <b>3:1</b>	DESIGN UNITS <b>METRIC</b>	THIRD ANGLE PROJECTION		
		4 PLACES ± --- ± ---	3 PLACES ± --- ± ---	2 PLACES ± 0.13 ± ---	1 PLACE ± 0.25 ± ---	DRAWN BY JLONG	DATE 01-26-2007	TITLE <b>STACKED SFP+ 2X4 ASS'Y WITH ELASTOMERIC GASKET AND LIGHTPIPES</b>	
		ANGULAR ± 5 °				CHECKED BY MSANDBERG	DATE 01-26-2007	MOLEX INCORPORATED	
		DRAFT WHERE APPLICABLE MUST REMAIN WITHIN DIMENSIONS				APPROVED BY RNELSON	DATE 01-26-2007	MATERIAL NO. <b>SEE TABLE</b>	SHEET NO. 4 OF 4