



Chipsmall Limited consists of a professional team with an average of over 10 year of expertise in the distribution of electronic components. Based in Hongkong, we have already established firm and mutual-benefit business relationships with customers from,Europe,America and south Asia,supplying obsolete and hard-to-find components to meet their specific needs.

With the principle of “Quality Parts,Customers Priority,Honest Operation,and Considerate Service”,our business mainly focus on the distribution of electronic components. Line cards we deal with include Microchip,ALPS,ROHM,Xilinx,Pulse,ON,Everlight and Freescale. Main products comprise IC,Modules,Potentiometer,IC Socket,Relay,Connector.Our parts cover such applications as commercial,industrial, and automotives areas.

We are looking forward to setting up business relationship with you and hope to provide you with the best service and solution. Let us make a better world for our industry!



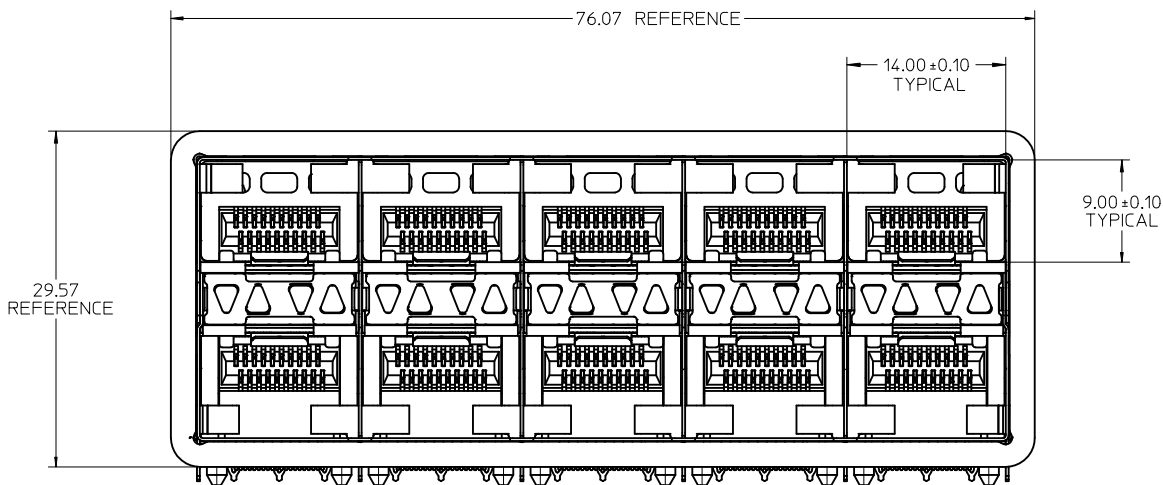
Contact us

Tel: +86-755-8981 8866 Fax: +86-755-8427 6832

Email & Skype: info@chipsmall.com Web: www.chipsmall.com

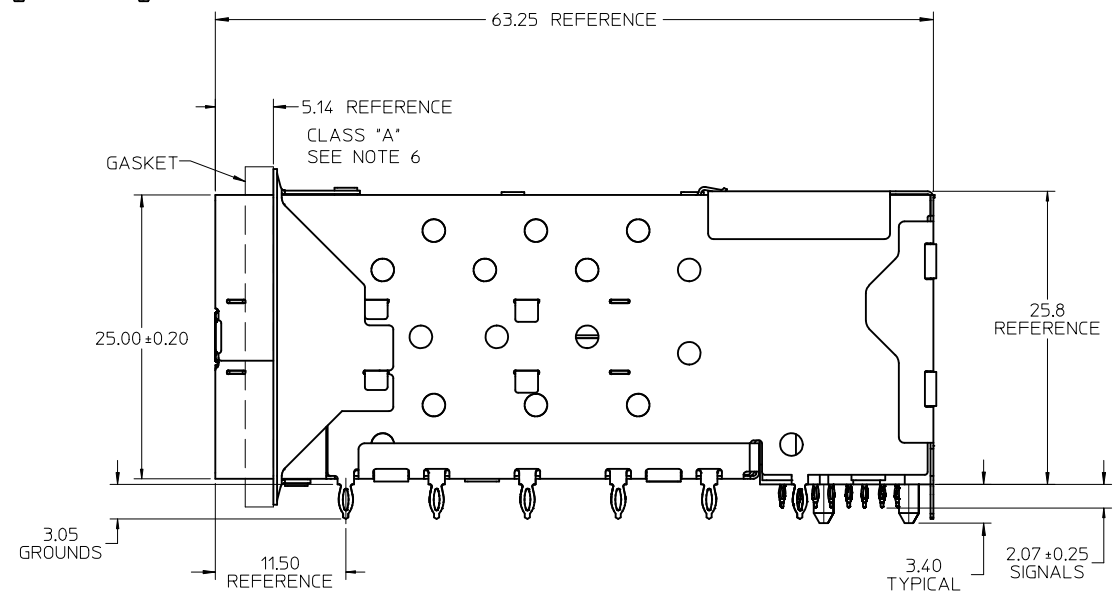
Address: A1208, Overseas Decoration Building, #122 Zhenhua RD., Futian, Shenzhen, China



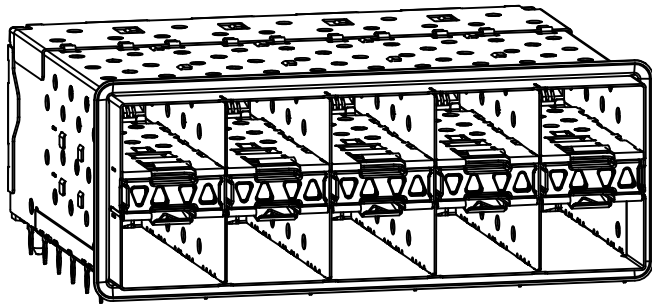


PART NUMBER	DESCRIPTION	VIEW	COMPLIANT TAIL PLATING
	4 LIGHT PORTS	SEE PG 2	TIN / LEAD
	INNER 2 PORTS	SEE PG 2	TIN / LEAD
	OUTER 2 PORTS	SEE PG 2	TIN / LEAD
	4 LIGHT PORTS	SEE PG 2	TIN
	INNER 2 PORTS	SEE PG 2	TIN
760937003	OUTER 2 PORTS	SEE PG 2	TIN

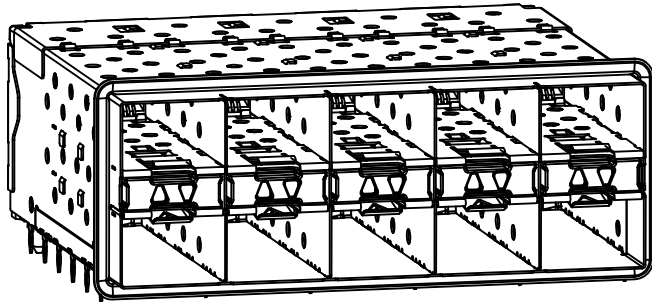
- NOTES:
- MATERIAL:
 - CAGE: NICKEL SILVER, THICKNESS: 0.25mm
 - GASKET FLANGE: STAINLESS STEEL
 - EMI GASKET: CONDUCTIVE POLYMER
 - CONNECTOR HOUSING: GLASS FILLED LIQUID CRYSTAL POLYMER (LCP), UL 94V-0, COLOR: BLACK
 - OVERMOLD TERMINAL HOUSING: GLASS FILLED LIQUID CRYSTAL POLYMER (LCP), UL 94V-0, COLOR: BLACK
 - TERMINALS: BRASS
 - LIGHT PIPE HOUSING: ZINC
 - FINISH
 - TERMINALS: CONTACT AREA: 0.76 MICROMETERS MINIMUM HARD GOLD OVER 1.27 MICROMETERS MINIMUM NICKEL.
 - COMPLIANT TAIL - TIN/LEAD VERSION: 0.76 TO 1.52 MICROMETERS 90/10 TIN-LEAD OVER 0.76 TO 1.52 MICROMETERS NICKEL.
 - COMPLIANT TAIL - TIN VERSION: 0.76 TO 1.52 MICROMETERS 90/10 TIN OVER 0.76 TO 1.52 MICROMETERS NICKEL.
 - LIGHT PIPE HOUSING: 150 MICROMETERS MINIMUM NICKEL OVER 150 MICROMETERS MINIMUM COPPER.
 - REFER TO PS-75310-001 PRODUCT SPEC FOR ALL ELECTRICAL, MECHANICAL AND ENVIRONMENTAL SPECIFICATIONS.
 - LIGHT PIPE PAD LAYOUT IS FOR 0805 LOW-PROFILE LED PACKAGE, FOR OTHER RECOMMENDED LAYOUTS REFER TO MOLEX'S REPORT TS-75310-001
 - REFER TO PK-75733-001 FOR ALL PACKAGING SPECIFICATIONS.
 - THE SURFACES CONFORM TO THE MOLEX COSMETIC SPEC PS-45499-002. ALL EXTERIOR SURFACES TO BE CLASS "B" SURFACE EXCEPT THE UNDERSIDE (CLASS "C") OF THE CAGE (SIDE TOWARD THE PCB) AND AS OTHERWISE NOTED.



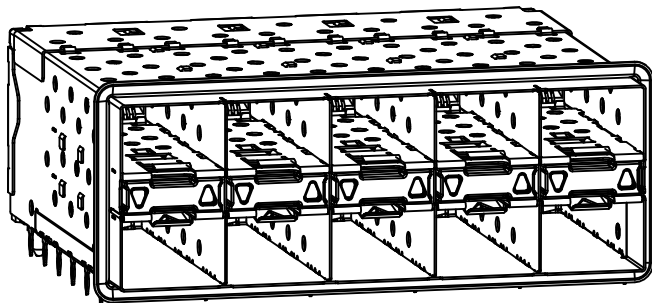
CLRFY CAGE APPRCE EC NO: UCP2011-0874 DRWN:BBARKER 2010/12/13 CHKD: SMILLER 2011/05/02 APPR:SMILLER	QUALITY SYMBOLS ▽=0 ▽=0	GENERAL TOLERANCES (UNLESS SPECIFIED)		DIMENSION STYLE MM ONLY	SCALE 3:1	DESIGN UNITS METRIC	THIRD ANGLE PROJECTION	
		mm INCH	DRAWN BY BBARKER	DATE 2010/09/28	TITLE STACKED SFP+ 2X5 ASS'Y WITH ENHANCED EMI AND ELASTOMERIC GASKET			
		4 PLACES ± --- ± --- 3 PLACES ± --- ± --- 2 PLACES ± 0.13 ± --- 1 PLACE ± 0.25 ± ---	CHECKED BY BSMART	DATE 2011/05/02	MOLEX MOLEX INCORPORATED			
		ANGULAR ± 5 °	APPROVED BY SMILLER	DATE 2011/05/02	MATERIAL NO. SEE TABLE	DOCUMENT NO. SD-76093-0002	SHEET NO. 1 OF 4	
DRAFT WHERE APPLICABLE MUST REMAIN WITHIN DIMENSIONS		THIS DRAWING CONTAINS INFORMATION THAT IS PROPRIETARY TO MOLEX INCORPORATED AND SHOULD NOT BE USED WITHOUT WRITTEN PERMISSION						



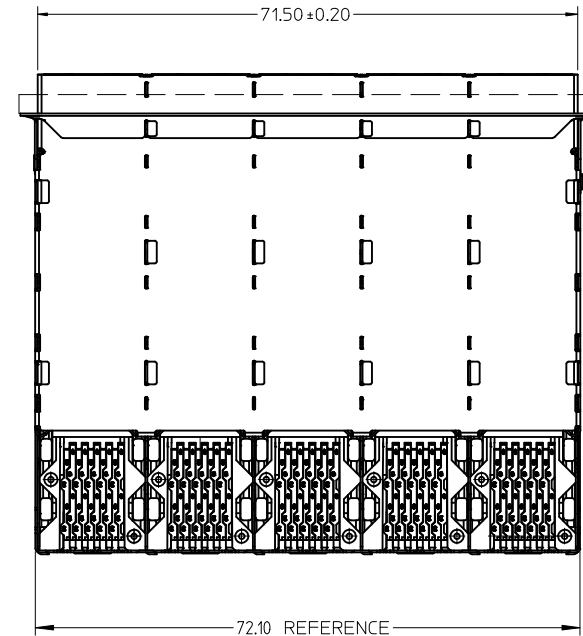
WITH INNER AND OUTER LIGHT PIPES



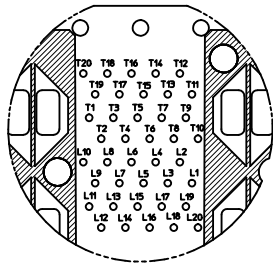
WITH INNER LIGHT PIPES



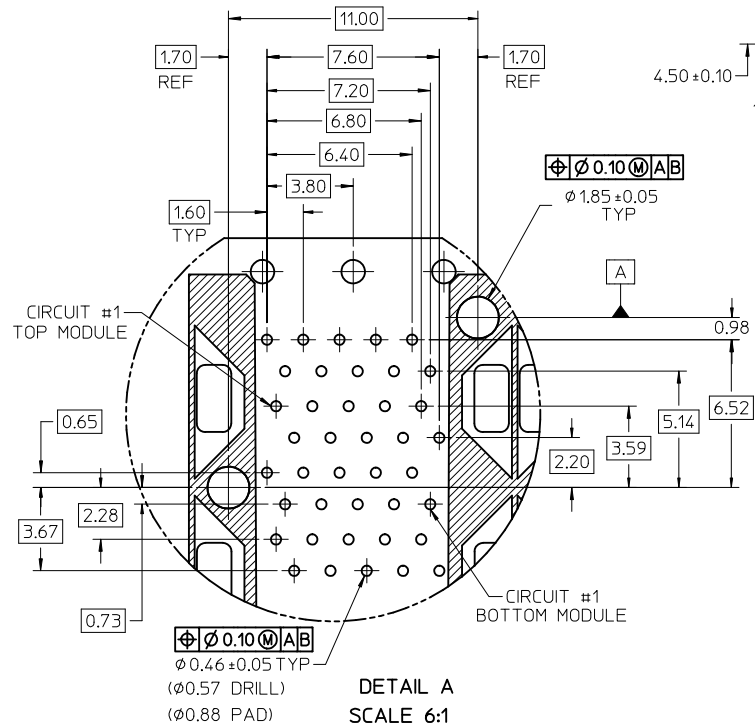
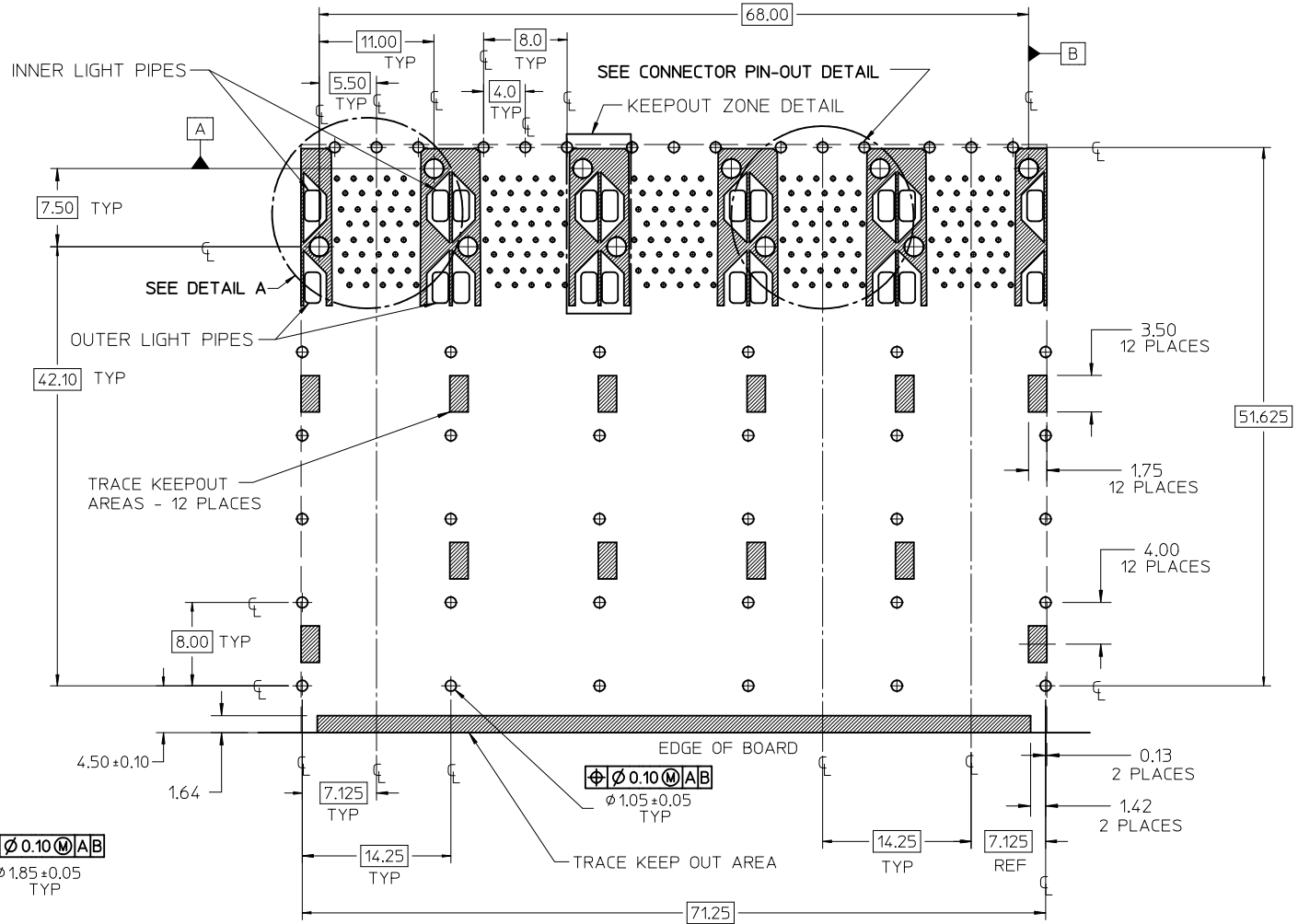
760937003
WITH OUTER LIGHT PIPES



SEE SHEET 1 EC NO: UCP2011-0874 DRWN:BBARKER 2010/12/13 CHKD: APPR:SMILLER 2011/05/02	QUALITY SYMBOLS	GENERAL TOLERANCES (UNLESS SPECIFIED)		DIMENSION STYLE	SCALE	DESIGN UNITS	THIRD ANGLE PROJECTION
	▼=0 ▽=0	mm	INCH	MM ONLY	2:1	METRIC	
		4 PLACES ± ---	± ---	DRAWN BY	DATE	TITLE	
		3 PLACES ± ---	± ---	BBARKER	2010/09/28	STACKED SFP+ 2X5 ASS'Y WITH ENHANCED EMI AND ELASTOMERIC GASKET	
	2 PLACES ± 0.13	± ---	CHECKED BY	DATE	MOLEX INCORPORATED		
	1 PLACE ± 0.25	± ---	BSMART				
	ANGULAR ± 5 °		APPROVED BY	DATE	DOCUMENT NO.		
			SMILLER	2011/05/02	SD-76093-0002		
			MATERIAL NO.		SHEET NO.		
					2 OF 4		
			DRAFT WHERE APPLICABLE MUST REMAIN WITHIN DIMENSIONS	SIZE	THIS DRAWING CONTAINS INFORMATION THAT IS PROPRIETARY TO MOLEX INCORPORATED AND SHOULD NOT BE USED WITHOUT WRITTEN PERMISSION		
				C			



CONNECTOR PIN-OUT DETAIL
SCALE 4:1

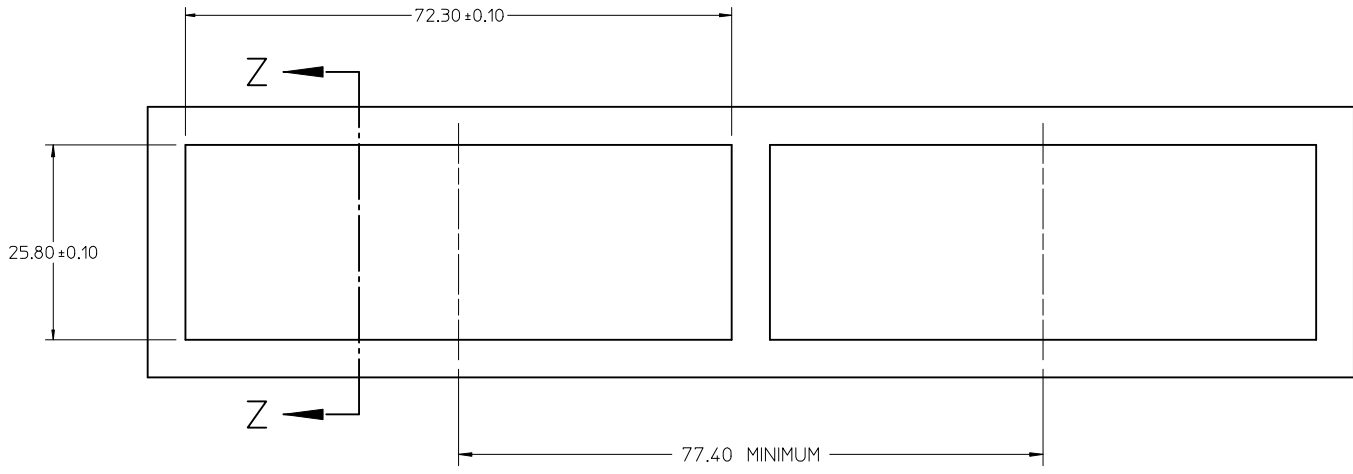


DETAIL A
SCALE 6:1

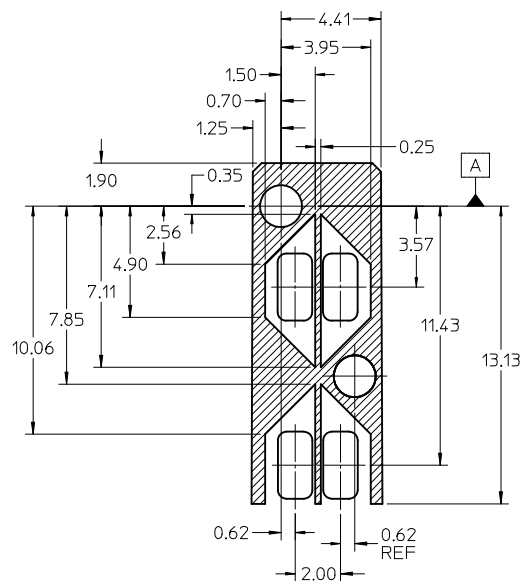
RECOMMENDED PCB LAYOUT - COMPONENT SIDE
RECOMMENDED PCB THICKNESS - 2.36 MM (.093 INCH)

THE ENTIRE AREA OF THE CONNECTOR FOOTPRINT
TO BE CONSIDERED THE KEEP OUT AREA FOR COMPONENTS
THIS AREA IS INDICATED BY THE DASHED LINE

SEE SHEET 1 EC NO: UCP2011-0874 DRWN:BBARKER 2010/12/13 CHKD: APPR:SMILLER 2011/05/02 REV: B	QUALITY SYMBOLS ▽=0 ▽=0	GENERAL TOLERANCES (UNLESS SPECIFIED)		DIMENSION STYLE MM ONLY	SCALE 3:1	DESIGN UNITS METRIC	THIRD ANGLE PROJECTION	
		mm	INCH	DRAWN BY BBARKER	DATE 2010/09/28	STACKED SFP+ 2X5 ASS'Y WITH ENHANCED EMI AND ELASTOMERIC GASKET		
		4 PLACES ± ---	± ---	CHECKED BY	DATE			
		DRAFT WHERE APPLICABLE MUST REMAIN WITHIN DIMENSIONS		APPROVED BY SMILLER		DATE 2011/05/02	MOLEX INCORPORATED SD-76093-0002	
MATERIAL NO.		SEE TABLE		DOCUMENT NO.	SHEET NO. 3 OF 4			
THIS DRAWING CONTAINS INFORMATION THAT IS PROPRIETARY TO MOLEX INCORPORATED AND SHOULD NOT BE USED WITHOUT WRITTEN PERMISSION								

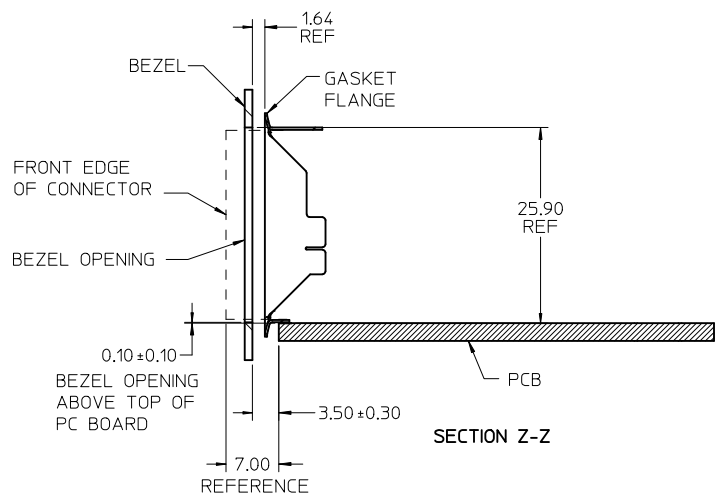


BEZEL CUTOUT CENTER SPACING DETAIL
BEZEL THICKNESS 0.8 TO 2.6

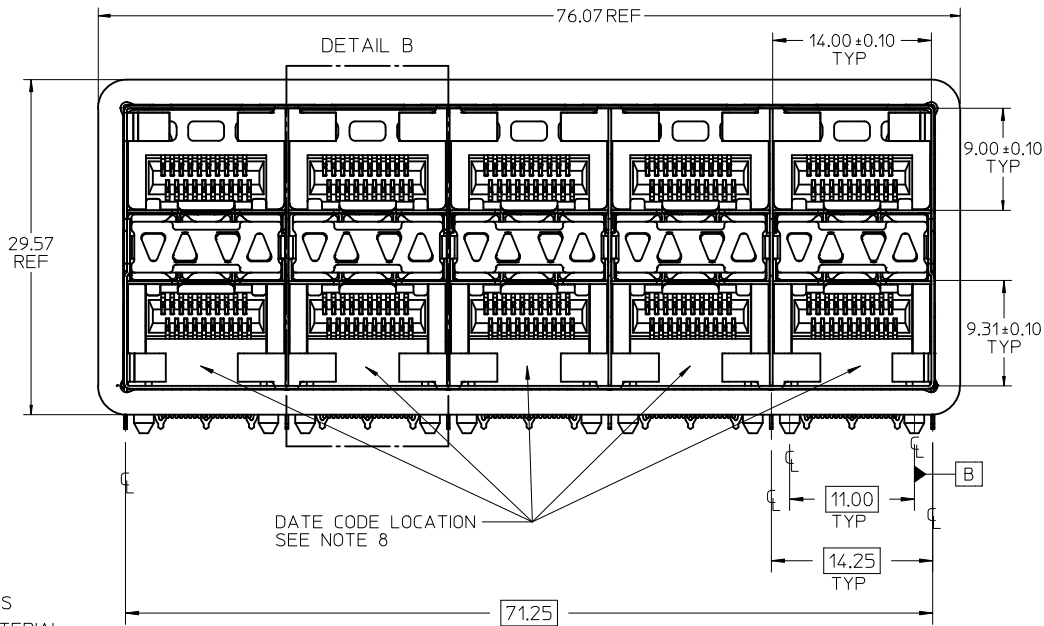


KEEPOUT ZONE DETAIL
SCALE 6:1

THE HATCHED AREA IN THIS VIEW INDICATES ZONES THAT ARE OCCUPIED BY THE PLASTIC HOUSING THAT SEATS AGAINST THE PCB AND BY THE VERTICAL METAL CAGE WALL THAT STOPS JUST SHORT OF THE PCB



SEE SHEET 1 EC NO: UCP2011-0874 DRWN:BBARKER 2010/12/13 CHKD: APPR:SMILLER 2011/05/02	QUALITY SYMBOLS ▽=0 ▽=0	GENERAL TOLERANCES (UNLESS SPECIFIED) <table border="1"> <thead> <tr> <th></th> <th>mm</th> <th>INCH</th> </tr> </thead> <tbody> <tr> <td>4 PLACES</td> <td>± 0.13</td> <td>± 0.005</td> </tr> <tr> <td>3 PLACES</td> <td>± 0.25</td> <td>± 0.010</td> </tr> <tr> <td>2 PLACES</td> <td>± 0.38</td> <td>± 0.015</td> </tr> <tr> <td>1 PLACE</td> <td>± 0.51</td> <td>± 0.020</td> </tr> </tbody> </table>		mm	INCH	4 PLACES	± 0.13	± 0.005	3 PLACES	± 0.25	± 0.010	2 PLACES	± 0.38	± 0.015	1 PLACE	± 0.51	± 0.020	DIMENSION STYLE MM ONLY DRAWN BY: BBARKER DATE: 2010/09/28 CHECKED BY: BSMART DATE: 2011/05/02 APPROVED BY: SMILLER DATE: 2011/05/02	SCALE: 2:1 DESIGN UNITS: METRIC THIRD ANGLE PROJECTION	TITLE: STACKED SFP+ 2X5 ASS'Y WITH ENHANCED EMI AND ELASTOMERIC GASKET MOLEX INCORPORATED DOCUMENT NO. SD-76093-0002 SHEET NO. 4 OF 4
		mm	INCH																	
4 PLACES	± 0.13	± 0.005																		
3 PLACES	± 0.25	± 0.010																		
2 PLACES	± 0.38	± 0.015																		
1 PLACE	± 0.51	± 0.020																		
DRAFT WHERE APPLICABLE MUST REMAIN WITHIN DIMENSIONS SEE TABLE THIS DRAWING CONTAINS INFORMATION THAT IS PROPRIETARY TO MOLEX INCORPORATED AND SHOULD NOT BE USED WITHOUT WRITTEN PERMISSION																				



PART NUMBER	DESCRIPTION	VIEW	COMPLIANT TAIL PLATING
760930001	4 LIGHT PORTS	SEE PG 2	MATTE TIN / LEAD
760930002	INNER 2 PORTS	SEE PG 2	MATTE TIN / LEAD
760930003	OUTER 2 PORTS	SEE PG 2	MATTE TIN / LEAD
760935001	4 LIGHT PORTS	SEE PG 2	MATTE TIN
760935002	INNER 2 PORTS	SEE PG 2	MATTE TIN
760935003	OUTER 2 PORTS	SEE PG 2	MATTE TIN

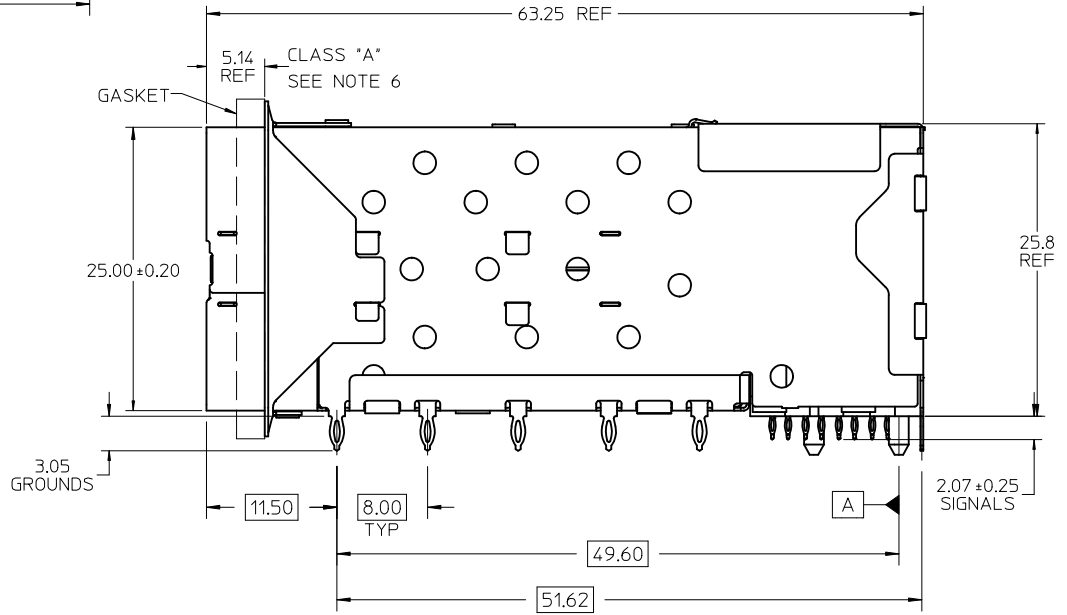
NOTES

- MATERIAL:**

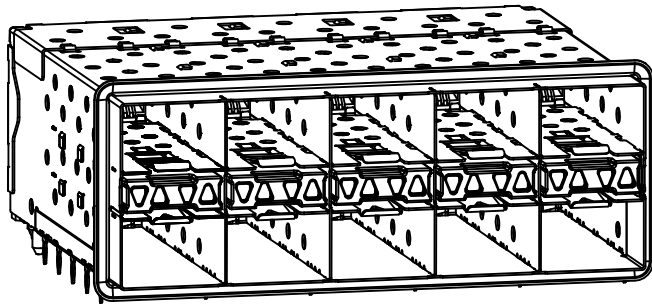
 - CAGE: NICKEL SILVER, THICKNESS: 0.25mm
 - CONNECTOR HOUSING: GLASS FILLED LIQUID CRYSTAL POLYMER (LCP), UL 94V-0, COLOR: BLACK
 - OVERMOLD TERMINAL HOUSING: GLASS FILLED LIQUID CRYSTAL POLYMER (LCP), UL 94V-0, COLOR: BLACK
 - TERMINALS: TIN BRASS
 - EMI GASKET: CONDUCTIVE ELASTOMER
 - LIGHTPIPE HOUSING: ZINC
 - LIGHTPIPES: POLYCARBONATE, COLOR: CLEAR
- FINISHES:**

 - TERMINALS: CONTACT AREA: 0.76 MICROMETERS MINIMUM HARD GOLD OVER 1.27 MICROMETERS MINIMUM NICKEL.
 - COMPLIANT TAIL - MATTE TIN/LEAD OPTION: 0.76 TO 1.52 MICROMETERS 90/10 MATTE TIN-LEAD OVER 0.76 MICROMETERS MINIMUM NICKEL.
 - COMPLIANT TAIL - MATTE TIN OPTION: 0.76 TO 1.52 MICROMETERS MATTE TIN OVER 0.76 MICROMETERS MINIMUM NICKEL.
 - LIGHT PIPE HOUSING: 80 MICROMETERS MINIMUM NICKEL OVER COPPER
- REFER TO PS-75310-001 PRODUCT SPEC FOR ALL ELECTRICAL, MECHANICAL AND ENVIRONMENTAL SPECIFICATIONS.
- LIGHT PIPE PAD LAYOUT IS FOR 0805 LOW-PROFILE LED PACKAGE. FOR OTHER RECOMMENDED LAYOUTS REFER TO MOLEX'S REPORT TS-75310-001
- REFER TO PK-75733-001 FOR ALL PACKAGING SPECIFICATIONS.
- ALL EXTERIOR SURFACES TO BE CLASS "B" SURFACES EXCEPT THE UNDER SIDE OF THE CAGE WHERE THE PCB WOULD BE LOCATED AND AS NOTED. THE SURFACES TO CONFORM TO THE MOLEX COSMETIC DOC PS-45499-002.
- REFER TO AS-76090-001 FOR HIGH SPEED ROUTING RECOMMENDATIONS.
- DATE CODE LOCATION IS SHOWN ABOVE.

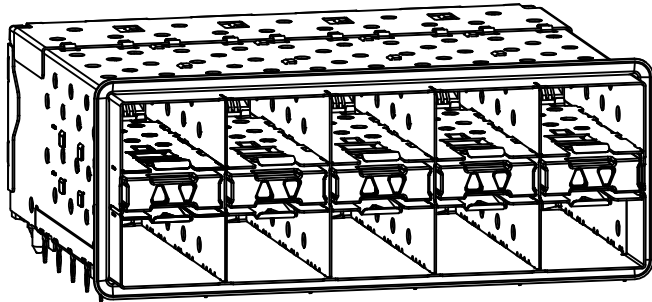
DATE CODE FORMAT: DDDY MX A1
 DDD = DAY OF THE YEAR
 Y = YEAR
 MX = MOLEX
 A = ALPHA CHARACTER - INDICATES MANUFACTURING LINE
 1 = NUMERIC CHARACTER - INDICATES PRODUCTION SHIFT



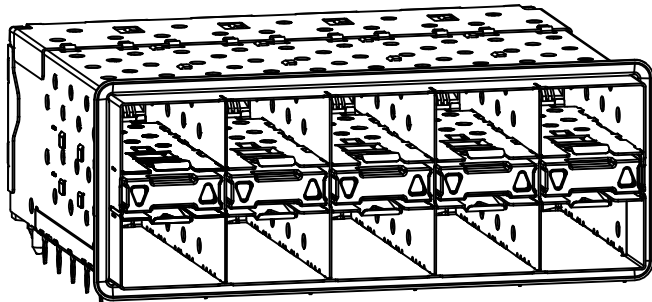
<p>ADD NOTE 7 & 8</p> <p>EC NO: UCP2011-2594 2011/03/07 DRWN: MWOLFE 2011/03/07 CHKD: BARKER 2011/03/07 APPR: SMILLER 2011/09/20</p>	<p>QUALITY SYMBOLS</p> <p>▽=0 ▽=0 ▽=0</p>	<p>GENERAL TOLERANCES (UNLESS SPECIFIED)</p>		<p>DIMENSION STYLE</p> <p>MM ONLY</p>	<p>SCALE</p> <p>3:1</p>	<p>DESIGN UNITS</p> <p>METRIC</p>	<p>THIRD ANGLE PROJECTION</p>		
		<p>4 PLACES ± --- ± ---</p>	<p>3 PLACES ± --- ± ---</p>	<p>2 PLACES ± 0.13 ± ---</p>	<p>1 PLACE ± 0.25 ± ---</p>	<p>ANGULAR ± 5 °</p>	<p>DRAWN BY DATE</p> <p>JLONG 01-18-2007</p>	<p>CHECKED BY DATE</p> <p>MSANDBERG 01-18-2007</p>	<p>APPROVED BY DATE</p> <p>RNELSON 01-18-2007</p>
		<p>DRAFT WHERE APPLICABLE MUST REMAIN WITHIN DIMENSIONS</p>		<p>SEE TABLE</p>	<p>MATERIAL NO.</p> <p>DOCUMENT NO.</p>	<p>SD-76093-001</p>	<p>SHEET NO.</p> <p>1 OF 4</p>		
		<p>THIS DRAWING CONTAINS INFORMATION THAT IS PROPRIETARY TO MOLEX INCORPORATED AND SHOULD NOT BE USED WITHOUT WRITTEN PERMISSION</p>							



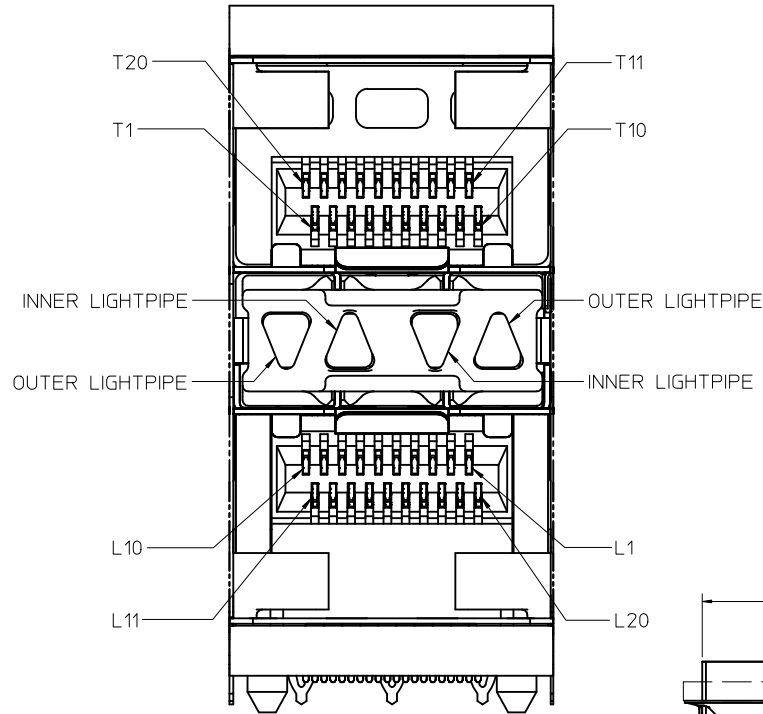
760930001 AND 760935001
WITH INNER AND OUTER LIGHT PIPES



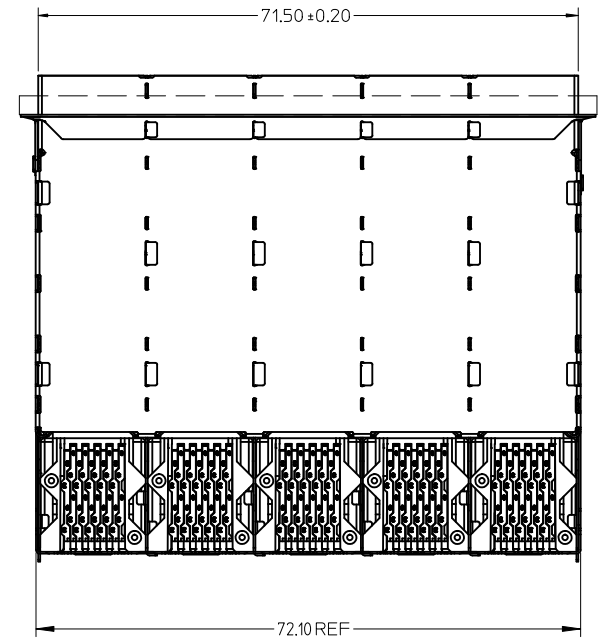
760930002 AND 760935002
WITH INNER LIGHTPIPES



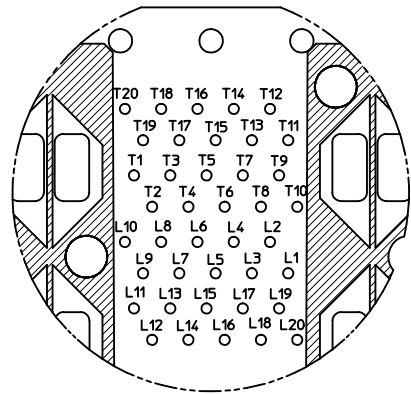
760930003 AND 760935003
WITH OUTER LIGHTPIPES



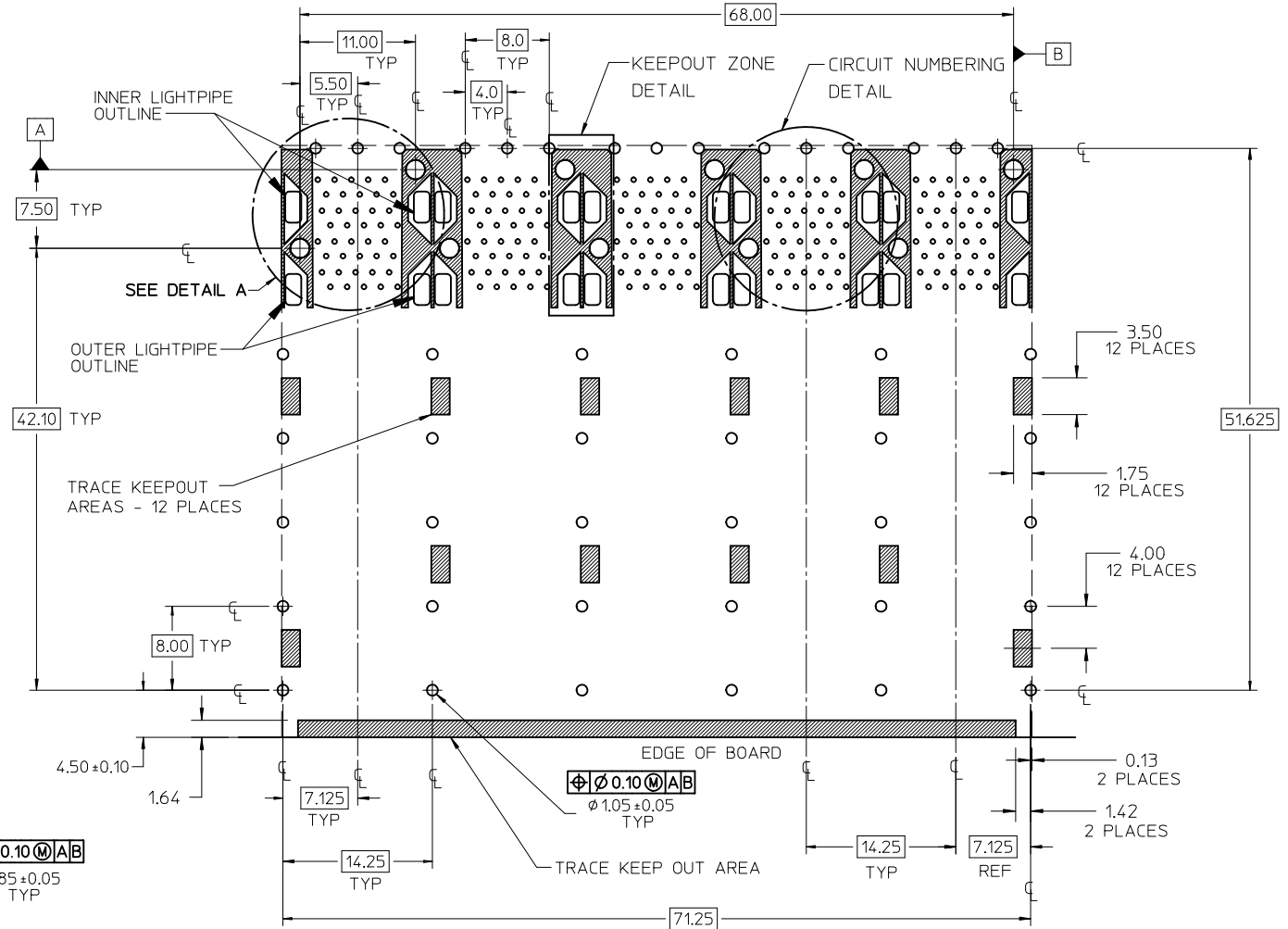
DETAIL B
SCALE 6:1
CIRCUIT NUMBERING
AND LIGHTPIPE
IDENTIFICATION



ADD DETAIL B EC NO: UCP2011-2594 DRWN:WOLFE 2011/03/07 CHKD:BBARKER 2011/03/07 APPR:SMILLER 2011/09/20	QUALITY SYMBOLS	GENERAL TOLERANCES (UNLESS SPECIFIED)		DIMENSION STYLE	SCALE	DESIGN UNITS	THIRD ANGLE PROJECTION
	▽=0	mm	INCH	MM ONLY	2:1	METRIC	
	▽=0	4 PLACES ± ---	± ---	DRAWN BY	DATE	TITLE	
	▽=0	3 PLACES ± ---	± ---	JLONG	01-18-2007	STACKED SFP+ 2X5 ASS'Y WITH ELASTOMERIC GASKET AND LIGHTPIPES	
		2 PLACES ± 0.13	± ---	CHECKED BY	DATE	MOLEX INCORPORATED	
		1 PLACE ± 0.25	± ---	MSANDBERG	01-18-2007	SD-76093-001	
		ANGULAR ± 5 °		APPROVED BY	DATE	SHEET NO.	
		DRAFT WHERE APPLICABLE MUST REMAIN WITHIN DIMENSIONS		RNELSON	01-18-2007	2 OF 4	
REV	DESCRIPTION	SEE TABLE		MATERIAL NO.		DOCUMENT NO.	
		THIS DRAWING CONTAINS INFORMATION THAT IS PROPRIETARY TO MOLEX INCORPORATED AND SHOULD NOT BE USED WITHOUT WRITTEN PERMISSION					

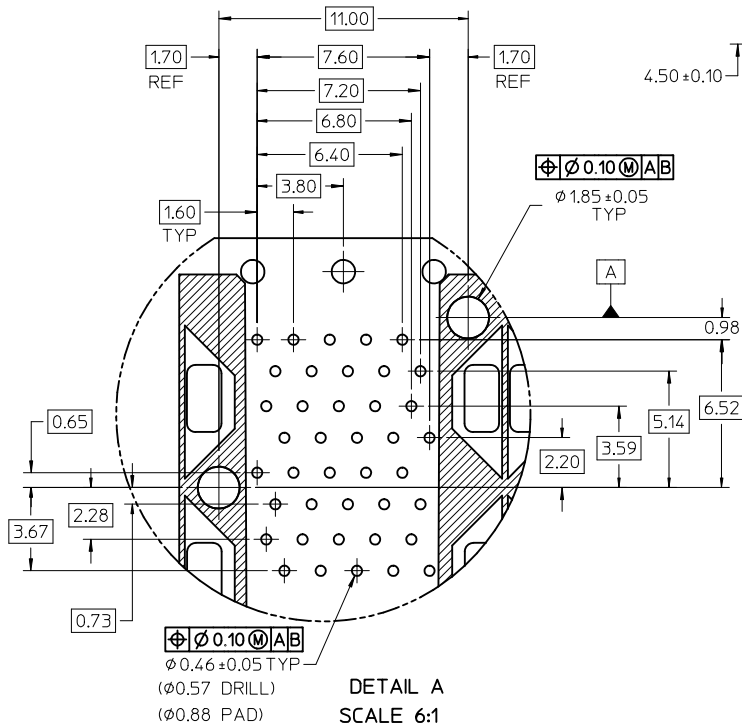


CIRCUIT NUMBERING
COMPONENT SIDE OF BOARD
SCALE 6:1



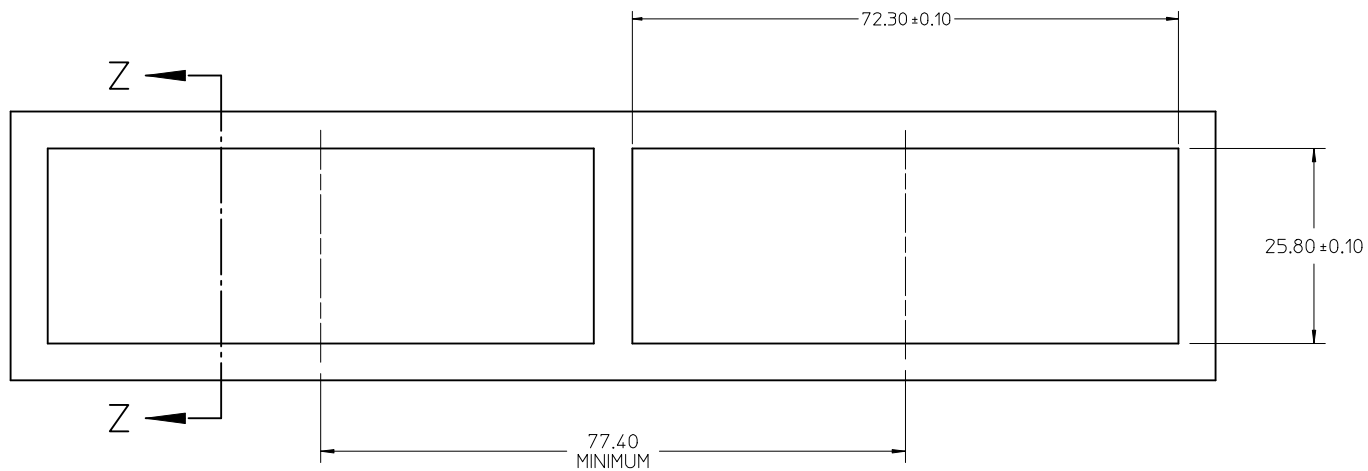
RECOMMENDED PCB LAYOUT - COMPONENT SIDE
RECOMMENDED PCB THICKNESS - 2.36 MM (.093 INCH)

THE ENTIRE AREA OF THE CONNECTOR FOOTPRINT
TO BE CONSIDERED THE KEEP OUT AREA FOR COMPONENTS
THIS AREA IS INDICATED BY THE DASHED LINE

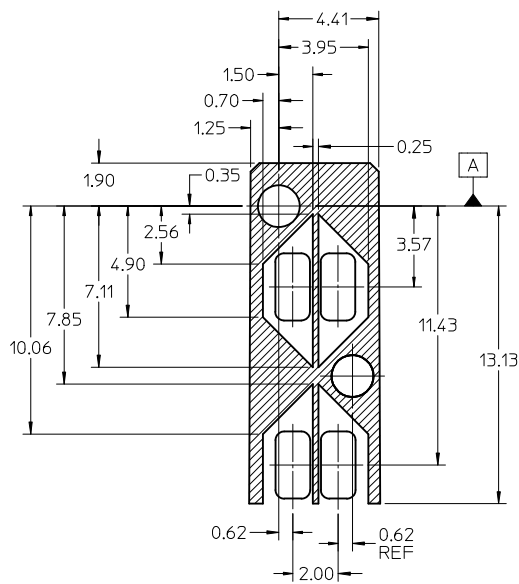


DETAIL A
SCALE 6:1

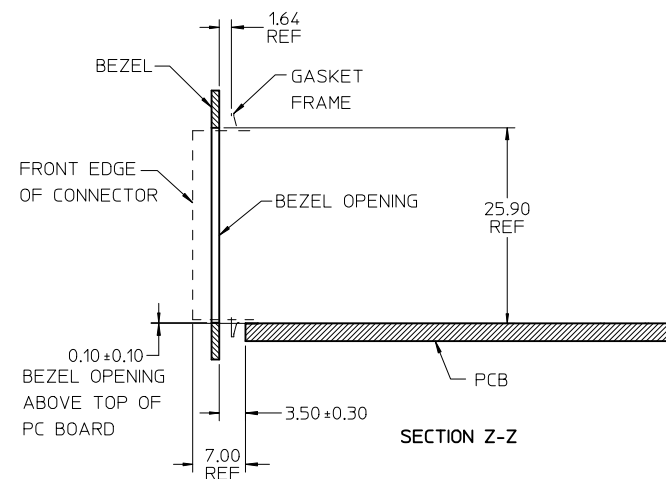
CHG DETAIL CALLOUT EC NO: UCP2011-2594 DRWN: MWOLFE 2011/03/07 CHKD: BBARKER 2011/03/07 APPR: SMILLER 2011/09/20	QUALITY SYMBOLS $\nabla = 0$ $\nabla = 0$ $\nabla = 0$	GENERAL TOLERANCES (UNLESS SPECIFIED) <table border="1"> <tr> <th></th> <th>mm</th> <th>INCH</th> </tr> <tr> <td>4 PLACES</td> <td>± 0.13</td> <td>± 0.005</td> </tr> <tr> <td>3 PLACES</td> <td>± 0.25</td> <td>± 0.010</td> </tr> <tr> <td>2 PLACES</td> <td>± 0.50</td> <td>± 0.020</td> </tr> <tr> <td>1 PLACE</td> <td>± 1.27</td> <td>± 0.050</td> </tr> </table>		mm	INCH	4 PLACES	± 0.13	± 0.005	3 PLACES	± 0.25	± 0.010	2 PLACES	± 0.50	± 0.020	1 PLACE	± 1.27	± 0.050	DIMENSION STYLE MM ONLY DRAWN BY DATE JLONG 01-18-2007 CHECKED BY DATE MSANDBERG 01-18-2007 APPROVED BY DATE RNELSON 01-18-2007	SCALE 3:1 DESIGN UNITS METRIC THIRD ANGLE PROJECTION	STACKED SFP+ 2X5 ASS'Y WITH ELASTOMERIC GASKET AND LIGHTPIPES MOLEX INCORPORATED MATERIAL NO. SD-76093-001 DOCUMENT NO.	SHEET NO. 3 OF 4
		mm	INCH																		
	4 PLACES	± 0.13	± 0.005																		
	3 PLACES	± 0.25	± 0.010																		
2 PLACES	± 0.50	± 0.020																			
1 PLACE	± 1.27	± 0.050																			
DRAFT WHERE APPLICABLE MUST REMAIN WITHIN DIMENSIONS	SEE TABLE	THIS DRAWING CONTAINS INFORMATION THAT IS PROPRIETARY TO MOLEX INCORPORATED AND SHOULD NOT BE USED WITHOUT WRITTEN PERMISSION																			



BEZEL CUTOUT CENTER SPACING DETAIL
BEZEL THICKNESS 0.8-2.6



KEEPOUT ZONE DETAIL
SCALE 6:1



ADD SECOND BEZEL CUTOUT EC NO: UCP2011-2594 DRW: MWOLFE 2011/03/07 CHKD: BARKER 2011/03/07 APPR: MILLER 2011/09/20	QUALITY SYMBOLS	GENERAL TOLERANCES (UNLESS SPECIFIED)	DIMENSION STYLE MM ONLY	SCALE 2:1	DESIGN UNITS METRIC	THIRD ANGLE PROJECTION
	▽=0	mm INCH	DRAWN BY DATE JLONG 01-18-2007	TITLE	STACKED SFP+ 2X5 ASS'Y WITH ELASTOMERIC GASKET AND LIGHTPIPES	
	▽=0	4 PLACES ± --- ± ---	CHECKED BY DATE MSANDBERG 01-18-2007	MOLEX INCORPORATED		
	▽=0	3 PLACES ± --- ± ---	APPROVED BY DATE RNELSON 01-18-2007	MATERIAL NO.	DOCUMENT NO.	SHEET NO.
	ANGULAR ± 5 °	DRAFT WHERE APPLICABLE MUST REMAIN WITHIN DIMENSIONS	SIZE C	SEE TABLE	SD-76093-001	4 OF 4