



Chipsmall Limited consists of a professional team with an average of over 10 year of expertise in the distribution of electronic components. Based in Hongkong, we have already established firm and mutual-benefit business relationships with customers from,Europe,America and south Asia,supplying obsolete and hard-to-find components to meet their specific needs.

With the principle of “Quality Parts,Customers Priority,Honest Operation,and Considerate Service”,our business mainly focus on the distribution of electronic components. Line cards we deal with include Microchip,ALPS,ROHM,Xilinx,Pulse,ON,Everlight and Freescale. Main products comprise IC,Modules,Potentiometer,IC Socket,Relay,Connector.Our parts cover such applications as commercial,industrial, and automotives areas.

We are looking forward to setting up business relationship with you and hope to provide you with the best service and solution. Let us make a better world for our industry!



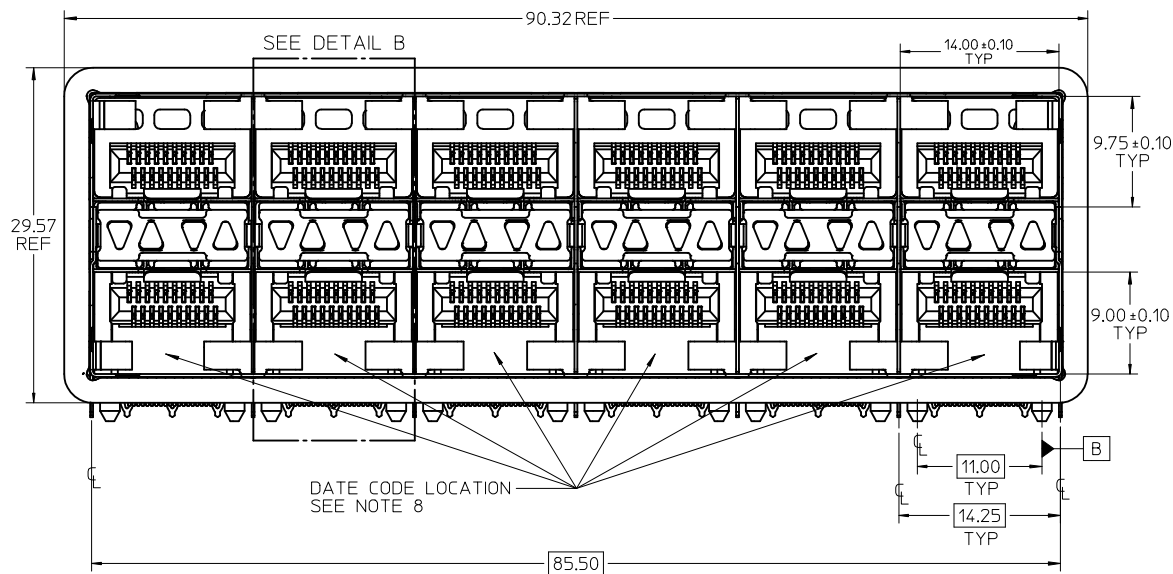
## Contact us

Tel: +86-755-8981 8866 Fax: +86-755-8427 6832

Email & Skype: info@chipsmall.com Web: www.chipsmall.com

Address: A1208, Overseas Decoration Building, #122 Zhenhua RD., Futian, Shenzhen, China





PART NUMBER	DESCRIPTION	VIEW	COMPLIANT TAIL PLATING
760940001	4 LIGHT PORTS	SEE PG 2	MATTE TIN / LEAD
760940002	INNER 2 PORTS	SEE PG 2	MATTE TIN / LEAD
760940003	OUTER 2 PORTS	SEE PG 2	MATTE TIN / LEAD
760945001	4 LIGHT PORTS	SEE PG 2	MATTE TIN
760945002	INNER 2 PORTS	SEE PG 2	MATTE TIN
760945003	OUTER 2 PORTS	SEE PG 2	MATTE TIN

NOTES

1. MATERIAL:

CAGE: NICKEL SILVER, THICKNESS: 0.25mm  
 CONNECTOR HOUSING: GLASS FILLED LIQUID CRYSTAL POLYMER (LCP), UL 94V-0, COLOR: BLACK  
 OVERMOLD TERMINAL HOUSING: GLASS FILLED LIQUID CRYSTAL POLYMER (LCP), UL 94V-0, COLOR: BLACK  
 TERMINALS: TIN BRASS  
 EMI GASKET: CONDUCTIVE ELASTOMER  
 LIGHTPIPE HOUSING: ZINC  
 LIGHTPIPES: POLYCARBONATE, COLOR: CLEAR

2. FINISHES:

TERMINALS: CONTACT AREA: 0.76 MICROMETERS MINIMUM HARD GOLD OVER 1.27 MICROMETERS MINIMUM NICKEL.  
 COMPLIANT TAIL - MATTE TIN/LEAD OPTION: 0.76 TO 1.52 MICROMETERS 90/10 MATTE TIN-LEAD OVER 0.76 MICROMETERS MINIMUM NICKEL.  
 COMPLIANT TAIL - MATTE TIN OPTION: 0.76 TO 1.52 MICROMETERS MATTE TIN OVER 0.76 MICROMETERS MINIMUM NICKEL.

LIGHT PIPE HOUSING: 80 MICROMETERS MINIMUM NICKEL OVER COPPER

3. REFER TO PS-75310-001 PRODUCT SPEC FOR ALL ELECTRICAL, MECHANICAL AND ENVIRONMENTAL SPECIFICATIONS.

4. LIGHT PIPE PAD LAYOUT IS FOR 0805 LOW-PROFILE LED PACKAGE FOR OTHER RECOMMENDED LAYOUTS REFER TO MOLEX'S REPORT TS-75310-001.

5. REFER TO PK-75451-001 FOR ALL PACKAGING SPECIFICATIONS.

6. ALL EXTERIOR SURFACES TO BE CLASS 'B' SURFACES EXCEPT THE UNDER SIDE OF THE CAGE WHERE THE PCB WOULD BE LOCATED AND AS NOTED. THE SURFACES TO CONFORM TO THE MOLEX COSMETIC DOC PS-45499-002.

7. REFER TO AS-76090-001 FOR HIGH SPEED ROUTING RECOMMENDATIONS.

8. DATE CODE LOCATION IS SHOWN ABOVE.

DATE CODE FORMAT: DDDY MX A1

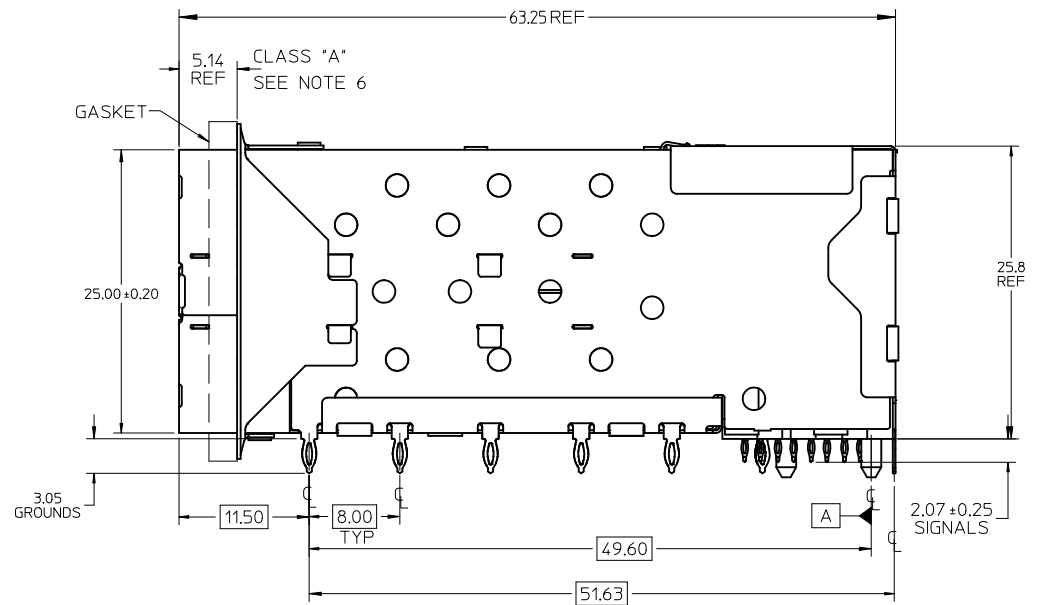
DDD = DAY OF THE YEAR

Y = YEAR

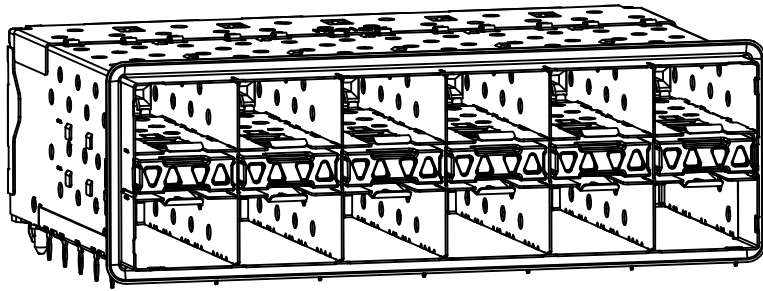
MX = MOLEX

A = ALPHA CHARACTER - INDICATES MANUFACTURING LINE

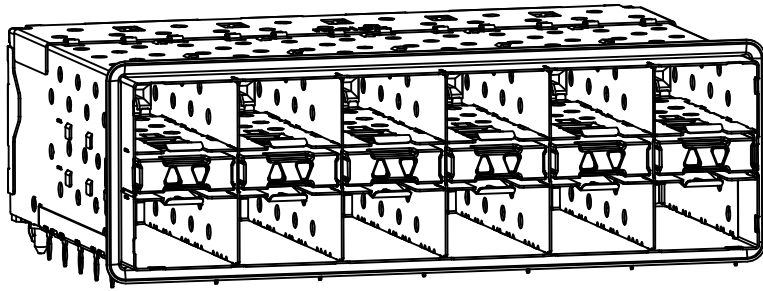
1 = NUMERIC CHARACTER - INDICATES PRODUCTION SHIFT



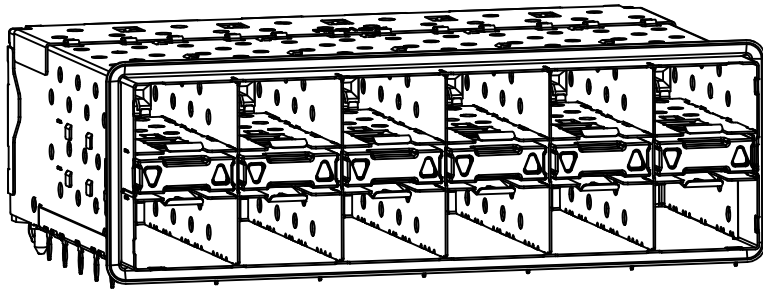
REV	DESCRIPTION	QUALITY SYMBOLS	GENERAL TOLERANCES (UNLESS SPECIFIED)		DIMENSION STYLE		SCALE	DESIGN UNITS	THIRD ANGLE PROJECTION
			mm	INCH	MM ONLY	DATE			
D	ADD NOTE 7 & 8 EC NO: UCP2011-2594 DRWN:WOLFE 2011/03/08 CHKD:BBARKER 2011/03/08 APPR:SMILLER 2011/09/20	▽=0 ▽=0 ▽=0	4 PLACES ± ---	± ---	DRAWN BY JLONG	DATE 01-18-2007	3:1	METRIC	MOLEX INCORPORATED SD-76094-001
			3 PLACES ± ---	± ---	CHECKED BY MSANDBERG	DATE 01-18-2007			
			2 PLACES ± 0.13	± ---	APPROVED BY RNELSON	DATE 01-18-2007			
			1 PLACE ± 0.25	± ---	MATERIAL NO. SEE TABLE				
			ANGULAR ± 5 °		SIZE C				
			DRAFT WHERE APPLICABLE MUST REMAIN WITHIN DIMENSIONS		THIS DRAWING CONTAINS INFORMATION THAT IS PROPRIETARY TO MOLEX INCORPORATED AND SHOULD NOT BE USED WITHOUT WRITTEN PERMISSION				



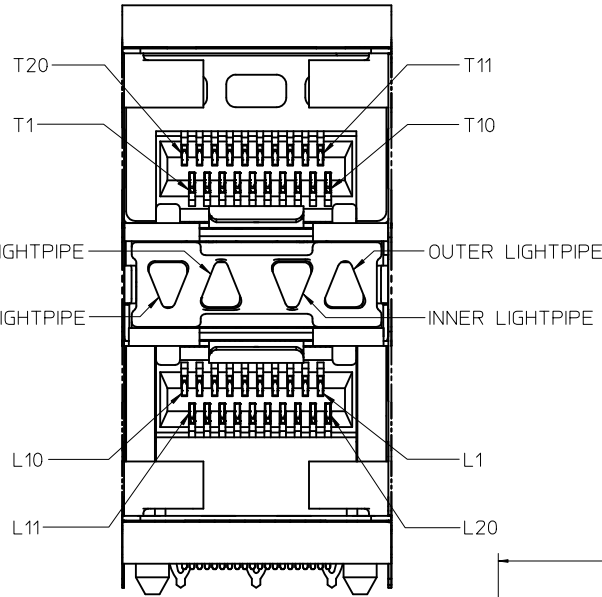
760940001 AND 760945001  
WITH INNER AND OUTER LIGHTPIPES



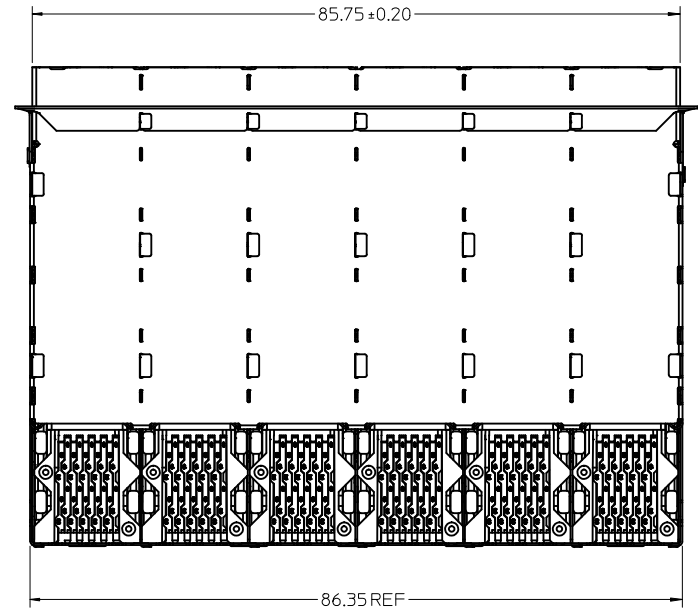
760940002 AND 760945002  
WITH INNER LIGHTPIPES



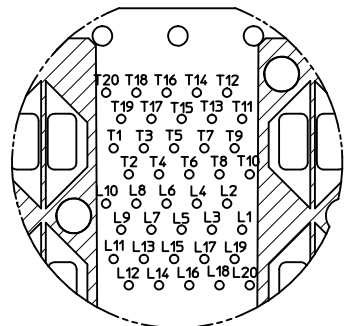
760940003 AND 760945003  
WITH OUTER LIGHTPIPES



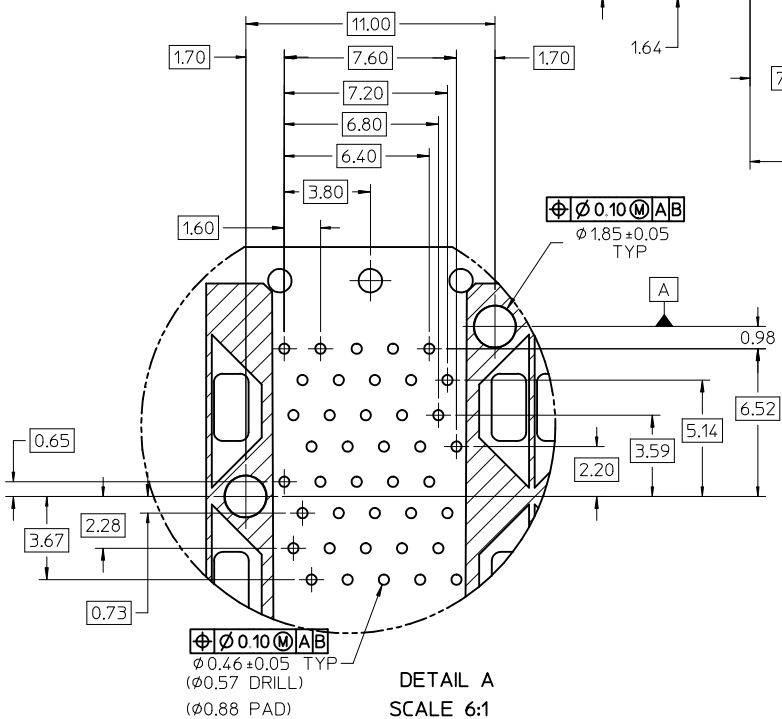
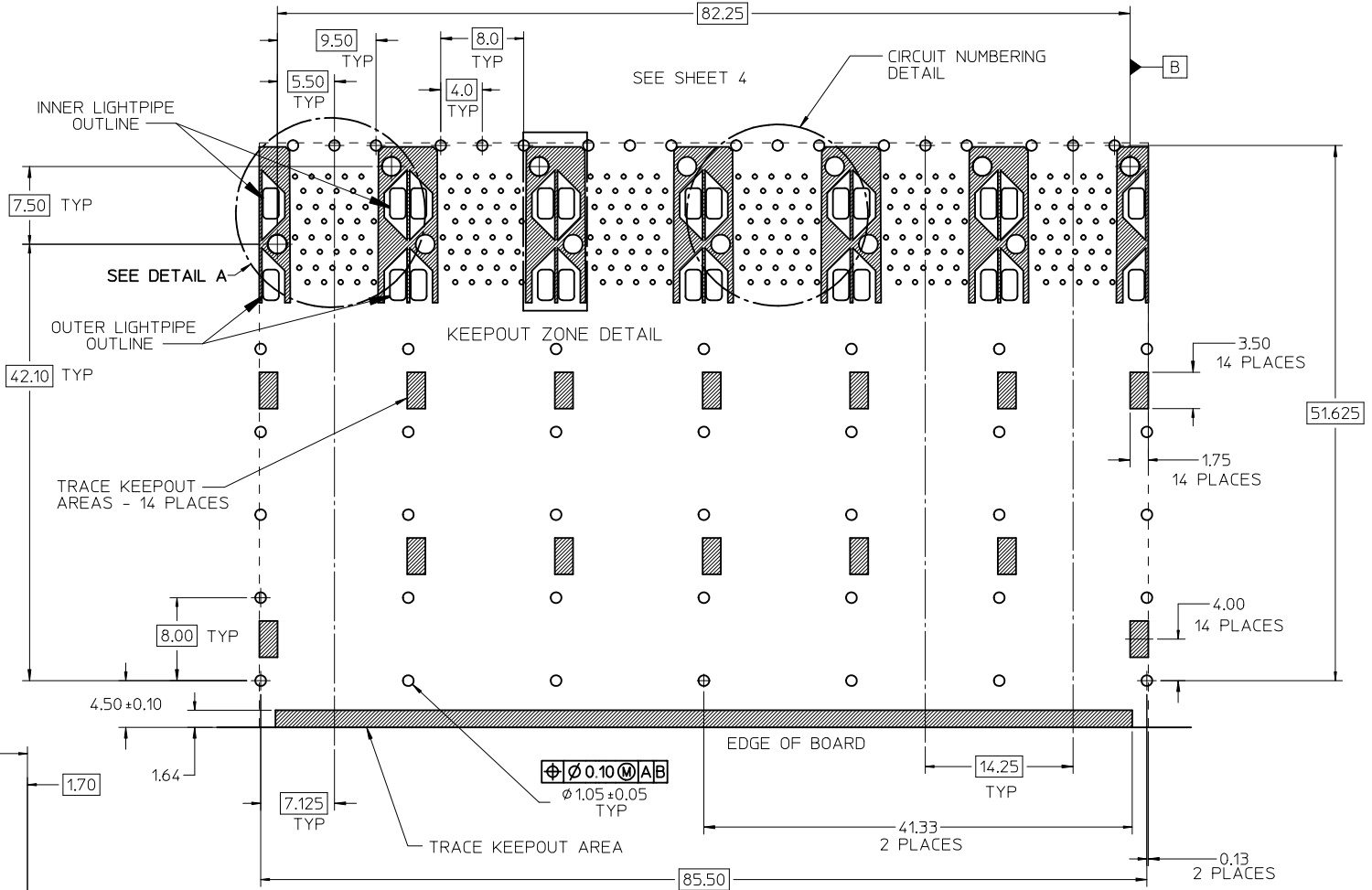
DETAIL B  
SCALE 5:1  
CIRCUIT NUMBERING  
AND LIGHTPIPE  
IDENTIFICATION



<b>ADD DETAIL B</b> EC NO: UCP2011-2594 DRWN:MWOLFE 2011/03/08 CHKD:BBARKER 2011/03/08 APPR:SMILLER 2011/09/20	QUALITY SYMBOLS 	GENERAL TOLERANCES (UNLESS SPECIFIED)		DIMENSION STYLE <b>MM ONLY</b>	SCALE <b>2:1</b>	DESIGN UNITS <b>METRIC</b>	THIRD ANGLE PROJECTION		
		4 PLACES ± --- ± ---	3 PLACES ± --- ± ---	DRAWN BY JLONG	DATE 01-18-2007	TITLE <b>STACKED SFP+ 2X6 ASS'Y WITH ELASTOMERIC GASKET</b>			
		2 PLACES ± 0.13 ± ---	1 PLACE ± 0.25 ± ---	CHECKED BY MSANDBERG	DATE 01-18-2007	APPROVED BY RNELSON			
		ANGULAR ± 5 °		MATERIAL NO. <b>SEE TABLE</b>		DOCUMENT NO. <b>SD-76094-001</b>	SHEET NO. <b>2 OF 4</b>		
DRAFT WHERE APPLICABLE MUST REMAIN WITHIN DIMENSIONS				THIS DRAWING CONTAINS INFORMATION THAT IS PROPRIETARY TO MOLEX INCORPORATED AND SHOULD NOT BE USED WITHOUT WRITTEN PERMISSION					



CIRCUIT NUMBERING  
COMPONENT SIDE OF BOARD  
SCALE 5:1



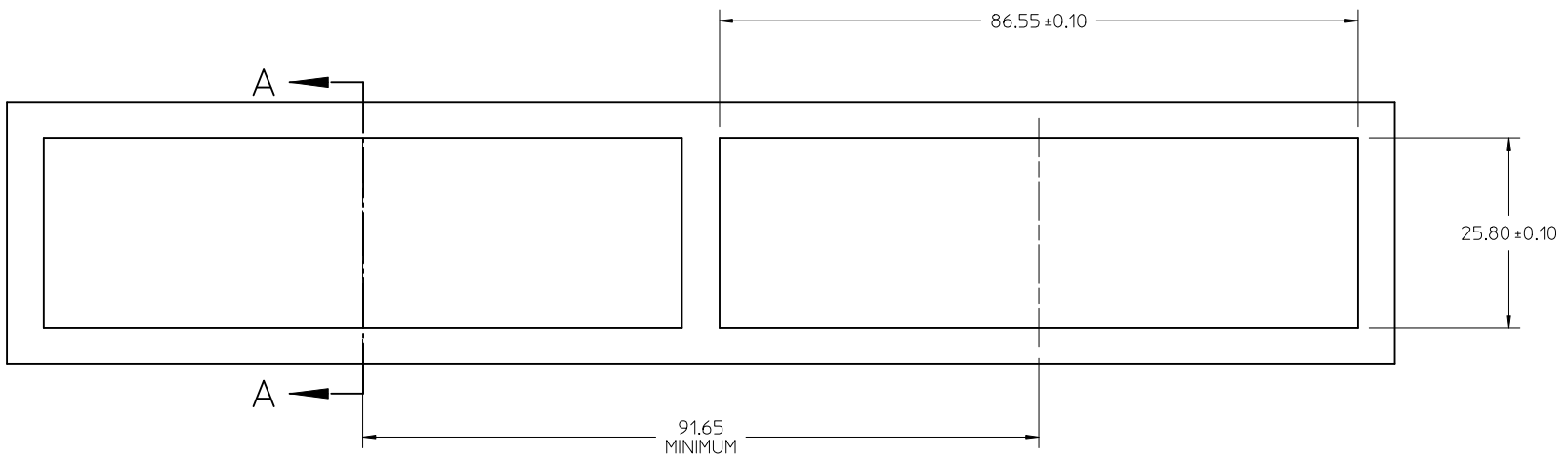
DETAIL A  
SCALE 6:1

RECOMMENDED PCB LAYOUT - COMPONENT SIDE  
RECOMMENDED PCB THICKNESS - 2.36 MM (.093 INCH)

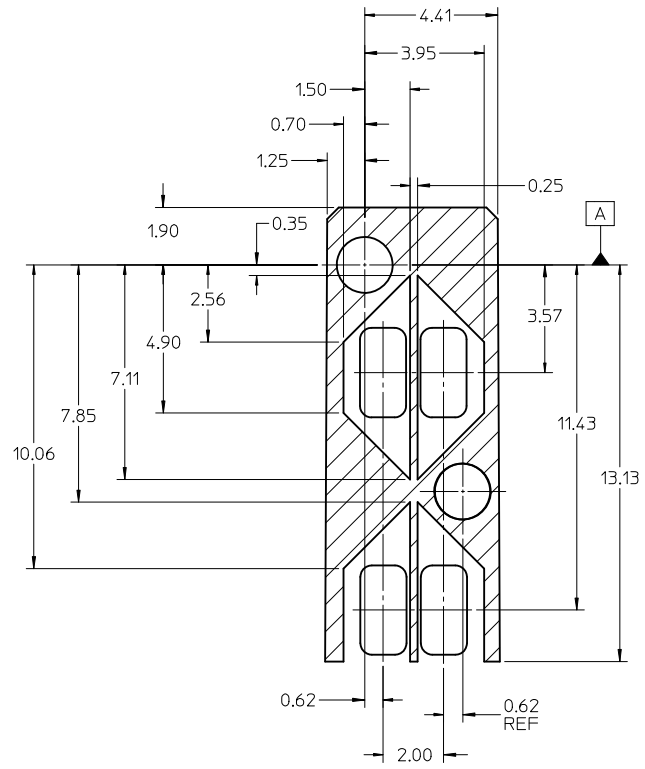
THE ENTIRE AREA OF THE CONNECTOR FOOTPRINT  
TO BE CONSIDERED THE KEEP OUT AREA FOR COMPONENTS  
(OTHER THAN LIGHTPIPE LED'S).

THIS AREA IS INDICATED BY THE DASHED LINE

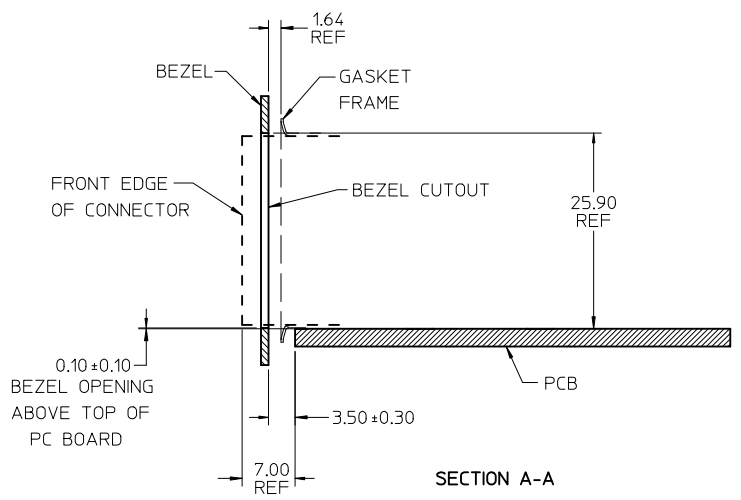
<b>CHG DETAIL CALLOUT</b> EC NO: UCP2011-2594 DRWN:WOLFE 2011/03/08 CHKD:BBARKER 2011/03/08 APPR:SMILLER 2011/09/20 REV: D	QUALITY SYMBOLS ▽=0 ▽=0 ▽=0	GENERAL TOLERANCES (UNLESS SPECIFIED)		DIMENSION STYLE <b>MM ONLY</b>		SCALE <b>3:1</b>	DESIGN UNITS <b>METRIC</b>	THIRD ANGLE PROJECTION			
			mm	INCH	DRAWN BY	DATE	TITLE <b>STACKED SFP+ 2X6 ASS'Y WITH ELASTOMERIC GASKET</b>				
		4 PLACES ±	---	±	---	JLONG	01-18-2007	MOLEX INCORPORATED			
		3 PLACES ±	---	±	---	CHECKED BY	DATE	DOCUMENT NO. <b>SD-76094-001</b>			
				2 PLACES ±	0.13	±	---	APPROVED BY	DATE	SHEET NO. <b>3 OF 4</b>	
				1 PLACE ±	0.25	±	---	RNELSON	01-18-2007	THIS DRAWING CONTAINS INFORMATION THAT IS PROPRIETARY TO MOLEX INCORPORATED AND SHOULD NOT BE USED WITHOUT WRITTEN PERMISSION	
				ANGULAR ± 5 °		SEE TABLE					
DRAFT WHERE APPLICABLE MUST REMAIN WITHIN DIMENSIONS											



BEZEL CUTOUT CENTER SPACING DETAIL  
BEZEL THICKNESS 0.8 - 2.6



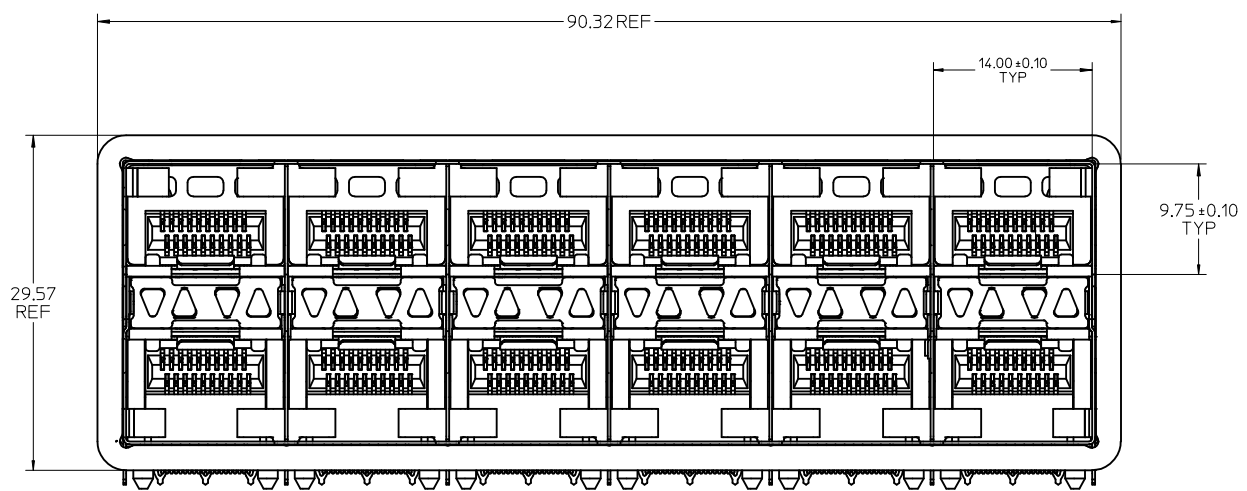
KEEPOUT ZONE DETAIL  
SCALE 8:1



SECTION A-A

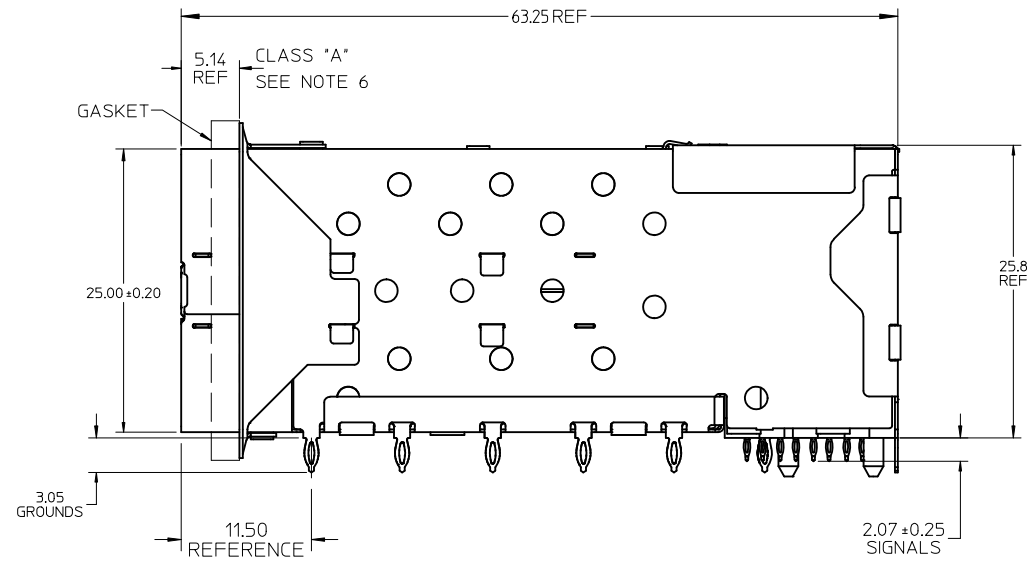
ADD SECOND BEZEL CUTOUT EC NO: UCP2011-2594 DRWN:WOLFE 2011/03/08 CHKD:BBARKER 2011/03/08 APPR:SMILLER 2011/09/20	QUALITY SYMBOLS ∇=0 ∇=0 ∇=0	GENERAL TOLERANCES (UNLESS SPECIFIED) mm INCH 4 PLACES ± --- ± --- 3 PLACES ± --- ± --- 2 PLACES ± 0.13 ± --- 1 PLACE ± 0.25 ± --- ANGULAR ± 5 °	DIMENSION STYLE MM ONLY DRAWN BY DATE JLONG 01-18-2007 CHECKED BY DATE MSANDBERG 01-18-2007 APPROVED BY DATE RNELSON 01-18-2007	SCALE 2:1 DESIGN UNITS METRIC THIRD ANGLE PROJECTION	TITLE STACKED SFP+ 2X6 ASS'Y WITH ELASTOMERIC GASKET	MATERIAL NO. SEE TABLE	DOCUMENT NO. SD-76094-001	SHEET NO. 4 OF 4		
	DRAFT WHERE APPLICABLE MUST REMAIN WITHIN DIMENSIONS		SIZE C	THIS DRAWING CONTAINS INFORMATION THAT IS PROPRIETARY TO MOLEX INCORPORATED AND SHOULD NOT BE USED WITHOUT WRITTEN PERMISSION						
	ADD SECOND BEZEL CUTOUT		EC NO: UCP2011-2594		DRWN:WOLFE 2011/03/08		CHKD:BBARKER 2011/03/08		APPR:SMILLER 2011/09/20	
	QUALITY SYMBOLS		GENERAL TOLERANCES (UNLESS SPECIFIED)		DIMENSION STYLE		SCALE		DESIGN UNITS	

PART NUMBER	DESCRIPTION	VIEW	COMPLIANT TAIL PLATING
	4 LIGHT PORTS	SEE PG 2	TIN / LEAD
760946002	INNER 2 PORTS	SEE PG 2	TIN / LEAD
	OUTER 2 PORTS	SEE PG 2	TIN / LEAD
	4 LIGHT PORTS	SEE PG 2	TIN
760947002	INNER 2 PORTS	SEE PG 2	TIN
	OUTER 2 PORTS	SEE PG 2	TIN

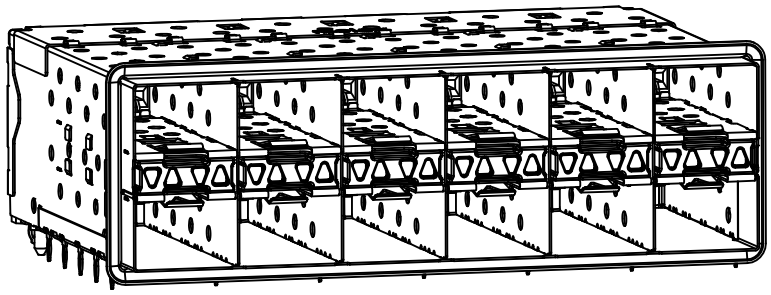


NOTES:

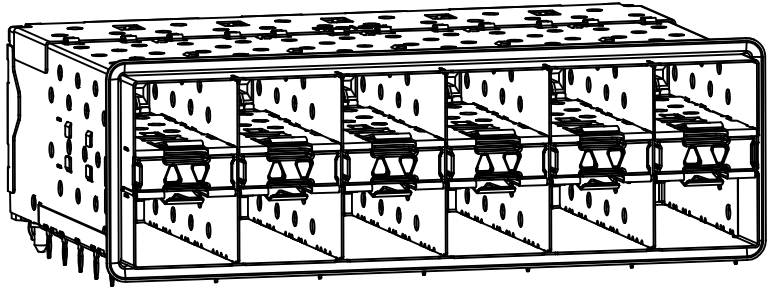
- MATERIAL:
  - CAGE: NICKEL SILVER, THICKNESS: 0.25mm
  - GASKET FLANGE: STAINLESS STEEL
  - EMI GASKET: CONDUCTIVE POLYMER
  - CONNECTOR HOUSING: GLASS FILLED LIQUID CRYSTAL POLYMER (LCP), UL 94V-0, COLOR: BLACK
  - OVERMOLD TERMINAL HOUSING: GLASS FILLED LIQUID CRYSTAL POLYMER (LCP), UL 94V-0, COLOR: BLACK
  - TERMINALS: BRASS
  - LIGHT PIPE: POLYCARBONATE UL 94V-0; COLOR CLEAR
  - LIGHT PIPE HOUSING: ZINC
- FINISH
  - TERMINALS:
    - CONTACT AREA: 0.76 MICROMETERS MINIMUM HARD GOLD OVER 1.27 MICROMETERS MINIMUM NICKEL.
    - COMPLIANT TAIL - TIN/LEAD OPTION: 0.76 - 1.52 MICROMETERS 90/10 TIN/LEAD OVER 0.76 - 1.52 MICROMETERS NICKEL
    - COMPLIANT TAIL - TIN OPTION: 0.76 - 1.52 MICROMETERS TIN OVER 0.76 - 1.52 MICROMETERS NICKEL
    - LIGHT PIPE HOUSING: 80 MICROMETERS MINIMUM NICKEL OVER 30 MICROMETERS MINIMUM COPPER
- REFER TO PS-75310-001 PRODUCT SPEC FOR ALL ELECTRICAL, MECHANICAL AND ENVIRONMENTAL SPECIFICATIONS.
- LIGHT PIPE PAD LAYOUT IS FOR 0805 LOW-PROFILE LED PACKAGE FOR OTHER RECOMMENDED LAYOUTS REFER TO MOLEX'S REPORT TS-75310-001.
- REFER TO PK-75451-001 FOR ALL PACKAGING SPECIFICATIONS.
- THE SURFACES CONFORM TO THE MOLEX COSMETIC SPEC PS-45499-002. ALL EXTERIOR SURFACES TO BE CLASS "B" SURFACE EXCEPT THE UNDERSIDE (CLASS "C") OF THE CAGE (SIDE TOWARD THE PCB) AND AS OTHERWISE NOTED.



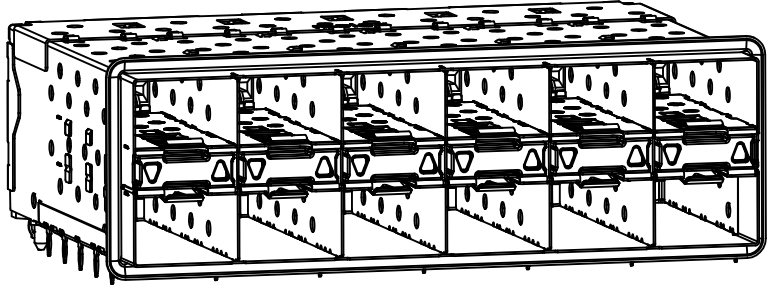
ADD -7002 ASSEMBLY EC NO: UCP2011-3362 DRWN:BBARKER 2011/05/01 CHKD:BSMART APPR:SMILLER 2011/05/09	QUALITY SYMBOLS	GENERAL TOLERANCES (UNLESS SPECIFIED)	DIMENSION STYLE <b>MM ONLY</b>	SCALE <b>3:1</b>	DESIGN UNITS <b>METRIC</b>	THIRD ANGLE PROJECTION
	▽=0	mm INCH	DRAWN BY BBARKER	DATE 2010/10/19	TITLE <b>STACKED SFP+ 2X6 ASS'Y WITH ELASTOMERIC GASKET ENHANCED EMI SHIELDING</b>	
	▽=0	4 PLACES ± --- ± ---	CHECKED BY	DATE	APPROVED BY SMILLER	
	▽=0	3 PLACES ± --- ± ---	DATE 2011/05/09		DATE 2011/05/09	
		2 PLACES ± 0.13 ± ---	MATERIAL NO.		DOCUMENT NO.	
		1 PLACE ± 0.25 ± ---	SEE TABLE		SD-76094-003	
		ANGULAR ± 5 °	DRAFT WHERE APPLICABLE MUST REMAIN WITHIN DIMENSIONS		SHEET NO. 1 OF 4	
			THIS DRAWING CONTAINS INFORMATION THAT IS PROPRIETARY TO MOLEX INCORPORATED AND SHOULD NOT BE USED WITHOUT WRITTEN PERMISSION			



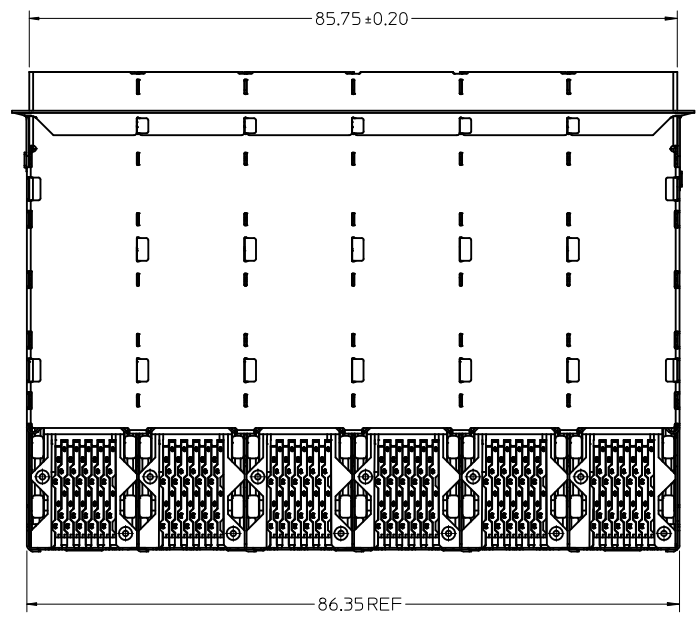
WITH INNER AND OUTER LIGHT PIPES



760946002 AND 760947002  
WITH INNER LIGHT PIPES



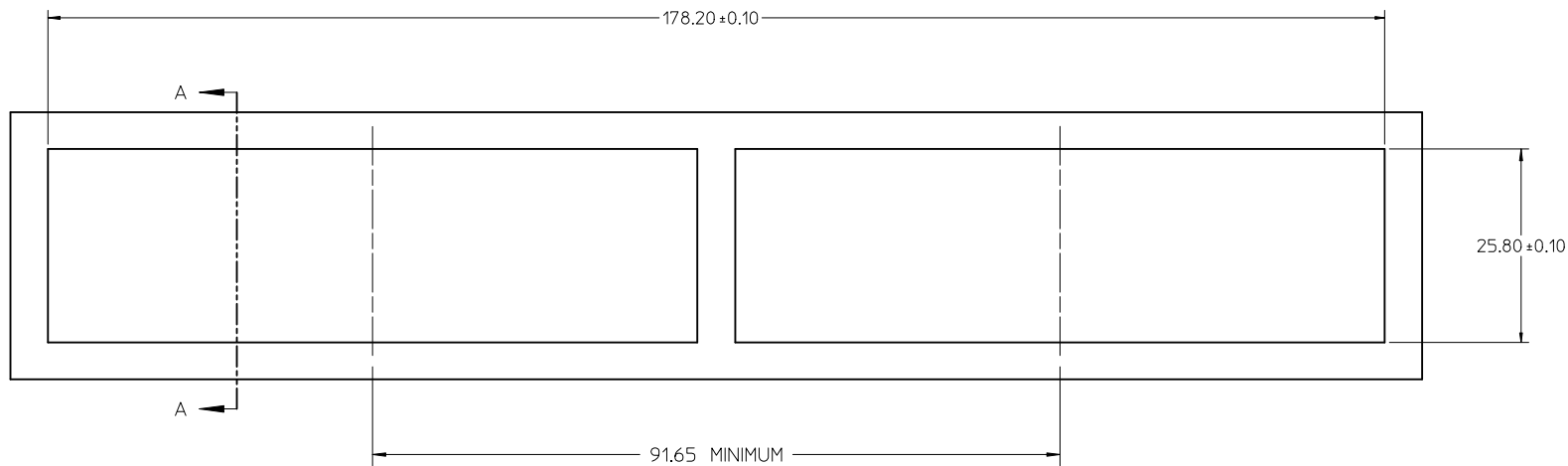
WITH OUTER LIGHT PIPES



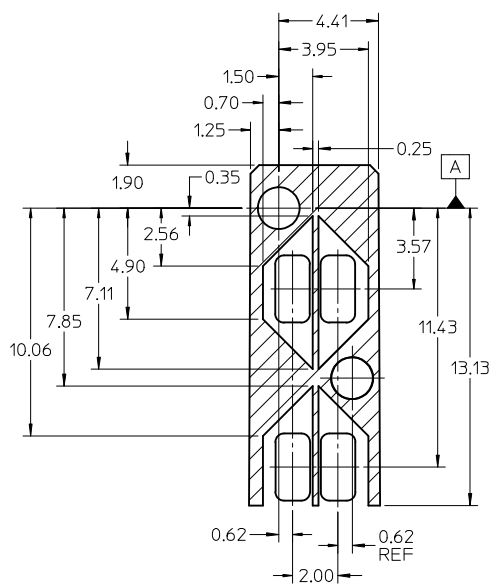
SEE SHEET 1 IEC NO: UCP2011-3362 DRAWN BY: BBARKER 2011/05/01 CHKD:BSMART APPR:SMILLER 2011/05/09	DESCRIPTION 760946002 AND 760947002 WITH LIGHT PIPES	QUALITY SYMBOLS ▽=0 ▽=0 ▽=0	GENERAL TOLERANCES (UNLESS SPECIFIED)		DIMENSION STYLE <b>MM ONLY</b>		SCALE <b>2:1</b>	DESIGN UNITS <b>METRIC</b>	THIRD ANGLE PROJECTION																				
			<table border="1"> <tr> <th></th> <th>mm</th> <th>INCH</th> </tr> <tr> <td>4 PLACES ±</td> <td>---</td> <td>---</td> </tr> <tr> <td>3 PLACES ±</td> <td>---</td> <td>---</td> </tr> <tr> <td>2 PLACES ±</td> <td>0.13</td> <td>---</td> </tr> <tr> <td>1 PLACE ±</td> <td>0.25</td> <td>---</td> </tr> </table>		mm	INCH	4 PLACES ±	---	---	3 PLACES ±	---	---	2 PLACES ±	0.13	---	1 PLACE ±	0.25	---	<table border="1"> <tr> <td>DRAWN BY</td> <td>DATE</td> </tr> <tr> <td>BBARKER</td> <td>2010/10/19</td> </tr> <tr> <td>CHECKED BY</td> <td>DATE</td> </tr> <tr> <td></td> <td></td> </tr> </table>	DRAWN BY	DATE	BBARKER	2010/10/19	CHECKED BY	DATE			TITLE <b>STACKED SFP+ 2X6 ASS'Y WITH ELASTOMERIC GASKET ENHANCED EMI SHIELDING</b>	
		mm	INCH																										
	4 PLACES ±	---	---																										
3 PLACES ±	---	---																											
2 PLACES ±	0.13	---																											
1 PLACE ±	0.25	---																											
DRAWN BY	DATE																												
BBARKER	2010/10/19																												
CHECKED BY	DATE																												
		APPROVED BY SMILLER	DATE 2011/05/09	MATERIAL NO. <b>SEE SHEET 1</b>		DOCUMENT NO. <b>SD-76094-003</b>	SHEET NO. <b>2 OF 4</b>																						
DRAFT WHERE APPLICABLE MUST REMAIN WITHIN DIMENSIONS			SIZE <b>C</b>		THIS DRAWING CONTAINS INFORMATION THAT IS PROPRIETARY TO MOLEX INCORPORATED AND SHOULD NOT BE USED WITHOUT WRITTEN PERMISSION																								



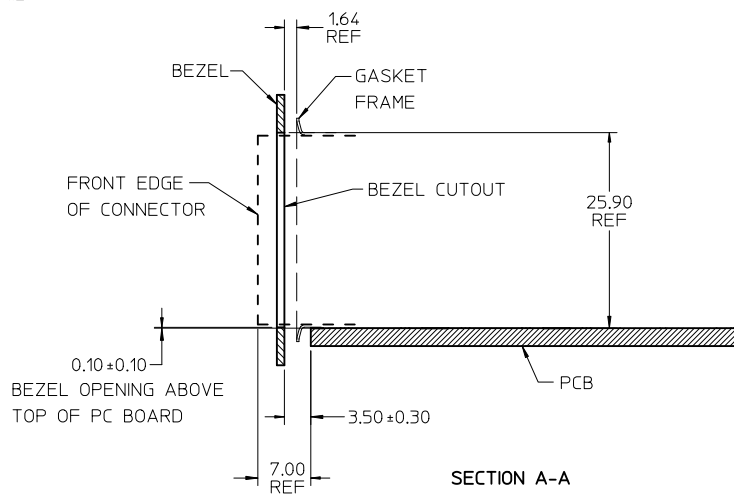




BEZEL CUTOUT CENTER SPACING DETAIL  
BEZEL THICKNESS 0.8 - 2.6



KEEPOUT ZONE DETAIL  
SCALE 6:1



SECTION A-A

SEE SHEET 1 EC NO: UCP2011-3362 DRW:BBARKER 2011/05/01 CHKD:BSMART APPR:SMILLER 2011/05/09	DESCRIPTION REV:	QUALITY SYMBOLS ∇=0 ∇=0 ∇=0	GENERAL TOLERANCES (UNLESS SPECIFIED) mm INCH 4 PLACES ± --- ± --- 3 PLACES ± --- ± --- 2 PLACES ± 0.13 ± --- 1 PLACE ± 0.25 ± --- ANGULAR ± 5 °	DIMENSION STYLE MM ONLY DRAWN BY DATE BBARKER 2010/10/19 CHECKED BY DATE	SCALE 2:1 DESIGN UNITS METRIC THIRD ANGLE PROJECTION	TITLE STACKED SFP+ 2X6 ASS'Y WITH ELASTOMERIC GASKET ENHANCED EMI SHIELDING
		APPROVED BY DATE SMILLER 2011/05/09	MOLEX INCORPORATED			
		MATERIAL NO. SEE SHEET 1	DOCUMENT NO. SD-76094-003			
		DRAFT WHERE APPLICABLE MUST REMAIN WITHIN DIMENSIONS	SHEET NO. 4 OF 4			