



Chipsmall Limited consists of a professional team with an average of over 10 year of expertise in the distribution of electronic components. Based in Hongkong, we have already established firm and mutual-benefit business relationships with customers from,Europe,America and south Asia,supplying obsolete and hard-to-find components to meet their specific needs.

With the principle of "Quality Parts,Customers Priority,Honest Operation,and Considerate Service",our business mainly focus on the distribution of electronic components. Line cards we deal with include Microchip,ALPS,ROHM,Xilinx,Pulse,ON,Everlight and Freescale. Main products comprise IC,Modules,Potentiometer,IC Socket,Relay,Connector.Our parts cover such applications as commercial,industrial, and automotives areas.

We are looking forward to setting up business relationship with you and hope to provide you with the best service and solution. Let us make a better world for our industry!



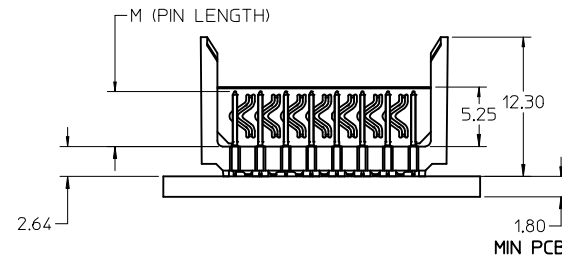
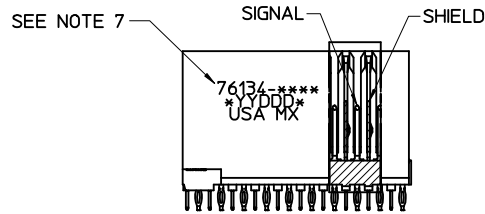
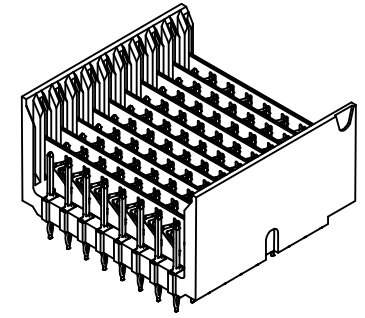
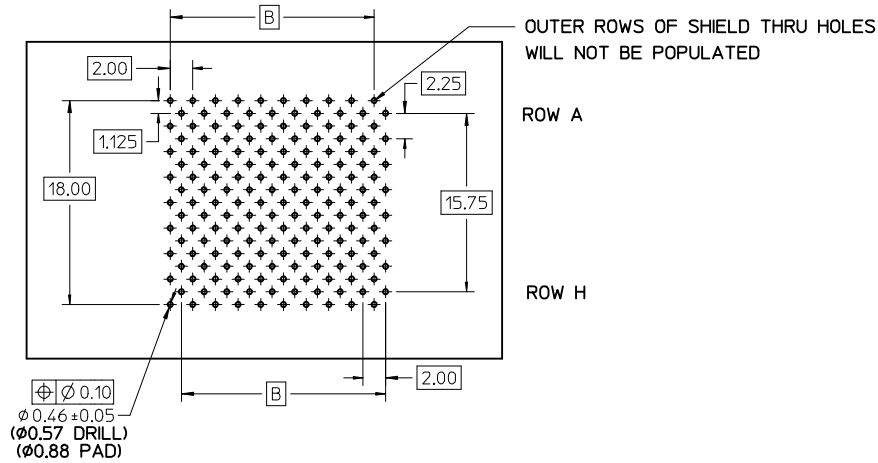
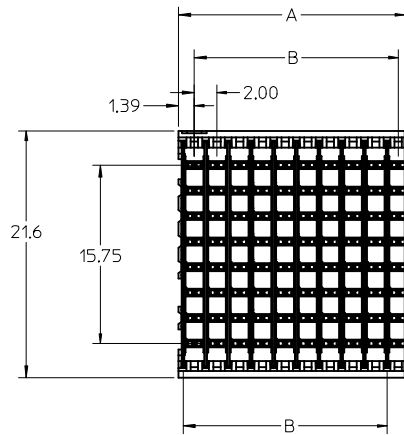
## Contact us

Tel: +86-755-8981 8866 Fax: +86-755-8427 6832

Email & Skype: info@chipsmall.com Web: www.chipsmall.com

Address: A1208, Overseas Decoration Building, #122 Zhenhua RD., Futian, Shenzhen, China





NOTES:

1. MATERIALS:  
HOUSING - LIQUID CRYSTAL POLYMER (LCP)  
GLASS FILLED, UL94V-0, BLACK  
SIGNAL PIN AND SHIELD - COPPER ALLOY
2. FINISHES:  
CONTACT AREA - SELECTIVE GOLD (Au)  
PCB TAILS - SELECTIVE MATTE TIN (Sn)
3. THIS PART CONFORMS TO MOLEX PRODUCT SPECIFICATION PS-74031-999.
4. FOR MIXED CONTACT LENGTH CONTACT MOLEX FOR AVAILABILITY.
5. FOR SPECIFIC MATERIAL NUMBERS AND MATING INFORMATION REFER TO SHEET 2.
6. PACKAGE PER PK-74060-003.
7. ASSEMBLY WILL BE MARKED WITH P/N AND DATE CODE WITH LASER MARK ON SIDE OF HOUSING OR BY LABEL ON THE TUBE.
8. MAPS (MOLEX ADVANCED PLATING SYSTEM).

UPDATE TABLE EC NO: UCP2014-3396 DRWNSVANG01 2014/02/14 CHKD:MMOLFE 2014/02/14 APPR:SMILLER 2014/02/25	DESCRIPTION REV	QUALITY SYMBOLS 	GENERAL TOLERANCES (UNLESS SPECIFIED)		DIMENSION STYLE <b>MM ONLY</b>	SCALE <b>5:1</b>	DESIGN UNITS <b>METRIC</b>	THIRD ANGLE PROJECTION	
			4 PLACES ± --- ± --- 3 PLACES ± --- ± --- 2 PLACES ± 0.25 ± --- 1 PLACE ± 0.38 ± --- 0 PLACE ± --- ± ---	mm INCH	DRAWN BY JJONIAK DATE 2008/04/11	CHECKED BY BINGHAM DATE 2008/04/11	TITLE <b>VHDM H-SERIES 8 ROW          OPEN END BACKPLANE          SALES DRAWING</b>	MATERIAL NO. <b>SEE SHEET 2</b>	DOCUMENT NO. <b>SD-76134-001</b>
DRAFT WHERE APPLICABLE MUST REMAIN WITHIN DIMENSIONS			THIS DRAWING CONTAINS INFORMATION THAT IS PROPRIETARY TO MOLEX INCORPORATED AND SHOULD NOT BE USED WITHOUT WRITTEN PERMISSION						

# MATERIAL NUMBER ASSIGNMENT

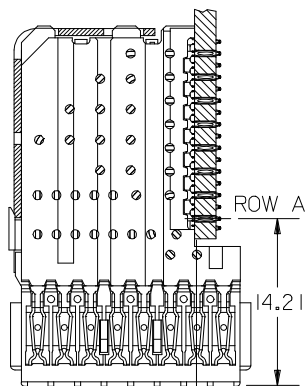
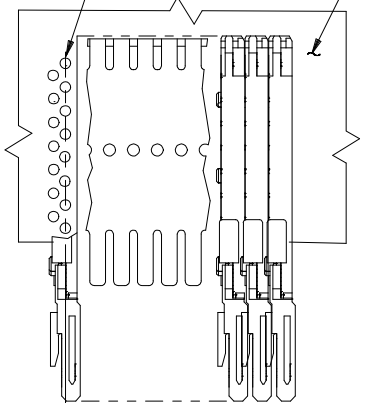
76134-\*\*\*0\*

PIN HEIGHT / PLATING  
 1-4 = 0.25 or 0.76 GOLD  
 6-9 = 1.27 GOLD

NUMBER OF COLUMNS/PLATING  
 10 = 10 COLUMN MATTE TIN (FORMERLY TIN/LEAD)  
 25 = 25 COLUMN MATTE TIN (FORMERLY TIN/LEAD)  
 60 = 10 COLUMN MATTE TIN (MAPS)  
 75 = 25 COLUMN MATTE TIN (MAPS)  
 90 = 10 COLUMN MATTE TIN  
 85 = 25 COLUMN MATTE TIN

1 & 6 = 4.75  
 2 & 7 = 6.25  
 3 & 8 = 4.25  
 4 & 9 = 5.15

SIGNAL COLUMN  
 DAUGHTERCARD CONNECTOR SIDE



0.41 OFFSET  
 SIGNAL TO SIGNAL

2.45  
 TOP OF DAUGHTERCARD PCB  
 TO  $\phi$  OF ROW A

SHIELD  
 SIGNAL

ROW A

PART NUMBER	COLUMN	NUMBER OF SIGNAL PIN	NUMBER OF SHIELD	A	B	M	GOLD THICKNESS MICROMETER	TIN THICKNESS MICROMETER
<b>76134-6001</b>	10	80	10	20.00	18.00	4.75	0.25 MAPS	0.76-1.52
76134-*001							0.76	
76134-*006							1.27	
<b>76134-7501</b>							0.25 MAPS	
76134-*501	25	200	25	50.00	48.00	6.25	0.76	
76134-*506	1.27							
<b>76134-6002</b>	10	80	10	20.00	18.00	6.25	0.25 MAPS	
76134-*002							0.76	
76134-*007							1.27	
<b>76134-7502</b>	25	200	25	50.00	48.00	4.25	0.25 MAPS	
76134-*502							0.76	
76134-*507							1.27	
<b>76134-6003</b>	10	80	10	20.00	18.00	5.15	0.25 MAPS	
76134-*003							0.76	
76134-*008							1.27	
<b>76134-7503</b>	25	200	25	50.00	48.00	4.25	0.25 MAPS	
76134-*503							0.76	
76134-*508							1.27	
<b>76134-6004</b>	10	80	10	20.00	18.00	6.25	0.25 MAPS	
76134-*004							0.76	
76134-*009							1.27	
<b>76134-7504</b>	25	200	25	50.00	48.00	5.15	0.25 MAPS	
76134-*504							0.76	
76134-*509							1.27	

SEE SHEET 1 EC NO: UCP2014-3396 DRWNS:VANG01 2014/02/14 CHKD:MMOLFE 2014/02/14 APPR:SMILLER 2014/02/25	QUALITY SYMBOLS ∇=0 ∇=0 ∇=0	GENERAL TOLERANCES (UNLESS SPECIFIED) mm INCH 4 PLACES ± --- ± --- 3 PLACES ± --- ± --- 2 PLACES ± 0.25 ± --- 1 PLACE ± 0.38 ± --- 0 PLACE ± --- ± --- ANGULAR ±1/2°	DIMENSION STYLE MM ONLY DRAWN BY DATE J JONIAK 2008/04/11 CHECKED BY DATE BINGHAM 2008/04/11 APPROVED BY DATE BINGHAM 2008/04/11	SCALE 5:1 DESIGN UNITS METRIC THIRD ANGLE PROJECTION	TITLE VHDM H-SERIES 8 ROW OPEN END BACKPLANE SALES DRAWING <b>molex</b>	MATERIAL NO. SEE TABLE DOCUMENT NO. SD-76134-001	SHEET NO. 2 OF 2				
								DRAFT WHERE APPLICABLE MUST REMAIN WITHIN DIMENSIONS		THIS DRAWING CONTAINS INFORMATION THAT IS PROPRIETARY TO MOLEX INCORPORATED AND SHOULD NOT BE USED WITHOUT WRITTEN PERMISSION	