



Chipsmall Limited consists of a professional team with an average of over 10 year of expertise in the distribution of electronic components. Based in Hongkong, we have already established firm and mutual-benefit business relationships with customers from,Europe,America and south Asia,supplying obsolete and hard-to-find components to meet their specific needs.

With the principle of "Quality Parts,Customers Priority,Honest Operation,and Considerate Service",our business mainly focus on the distribution of electronic components. Line cards we deal with include Microchip,ALPS,ROHM,Xilinx,Pulse,ON,Everlight and Freescale. Main products comprise IC,Modules,Potentiometer,IC Socket,Relay,Connector.Our parts cover such applications as commercial,industrial, and automotives areas.

We are looking forward to setting up business relationship with you and hope to provide you with the best service and solution. Let us make a better world for our industry!



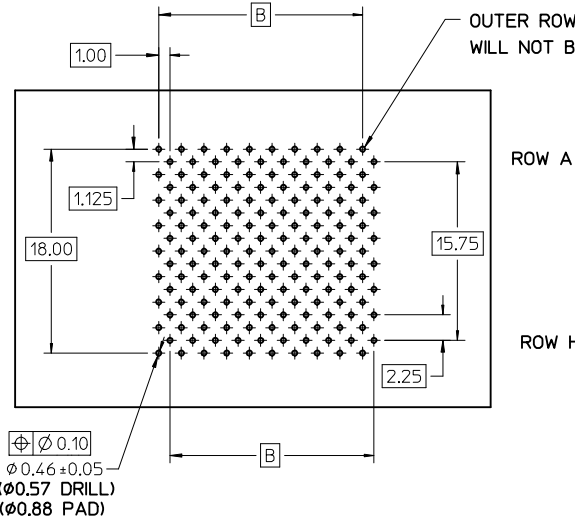
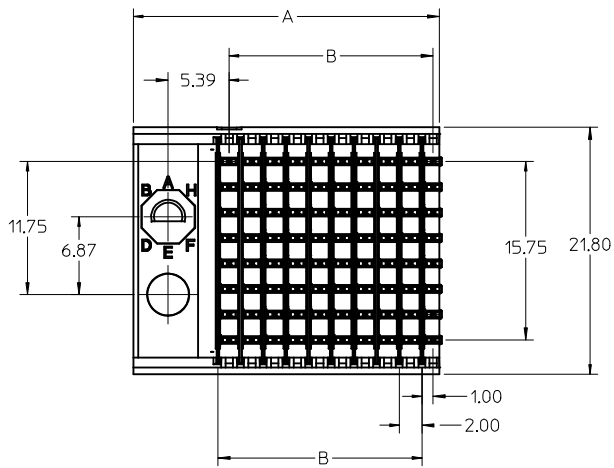
Contact us

Tel: +86-755-8981 8866 Fax: +86-755-8427 6832

Email & Skype: info@chipsmall.com Web: www.chipsmall.com

Address: A1208, Overseas Decoration Building, #122 Zhenhua RD., Futian, Shenzhen, China

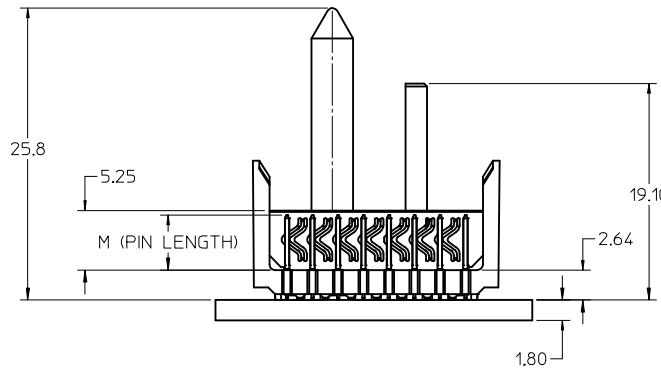
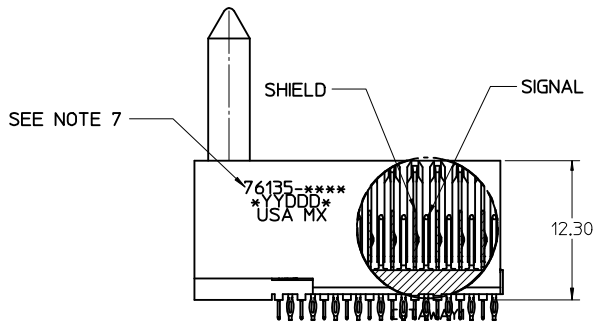
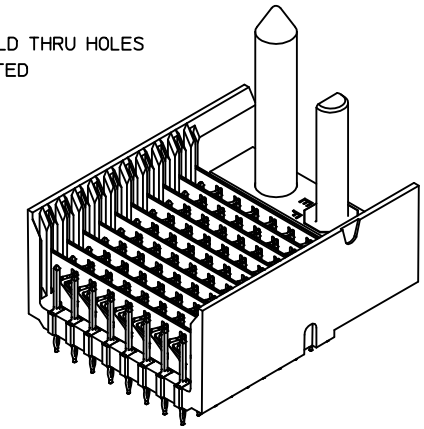




OUTER ROWS OF SHIELD THRU HOLES WILL NOT BE POPULATED

ROW A

ROW H



NOTES:

1. MATERIALS:
HOUSING - LIQUID CRYSTAL POLYMER (LCP)
GLASS FILLED, UL94V-0, BLACK
SIGNAL PIN AND SHIELD - COPPER ALLOY
2. FINISHES:
CONTACT AREA - SELECTIVE GOLD (Au)
PCB TAILS - SELECTIVE MATTE TIN (Sn)
3. THIS PART CONFORMS TO MOLEX PRODUCT SPECIFICATION PS-74031-999.
4. FOR MIXED CONTACT LENGTH CONTACT MOLEX FOR AVAILABILITY.
5. FOR SPECIFIC MATERIAL NUMBERS AND MATING INFORMATION REFER TO SHEET 2.
6. PACKAGE PER PK-74061-003.
7. ASSEMBLY WILL BE MARKED WITH P/N AND DATE CODE WITH LASER MARK ON SIDE OF HOUSING OR BY LABEL ON THE TUBE.
8. MAPS (MOLEX ADVANCED PLATING SYSTEM).

THE PRIMARY CARTON WITH A LABEL STATING "ELV AND RoHS COMPLAINT" IS LEAD FREE. CARTONS WITHOUT THIS LABEL MAY CONTAIN LEAD.

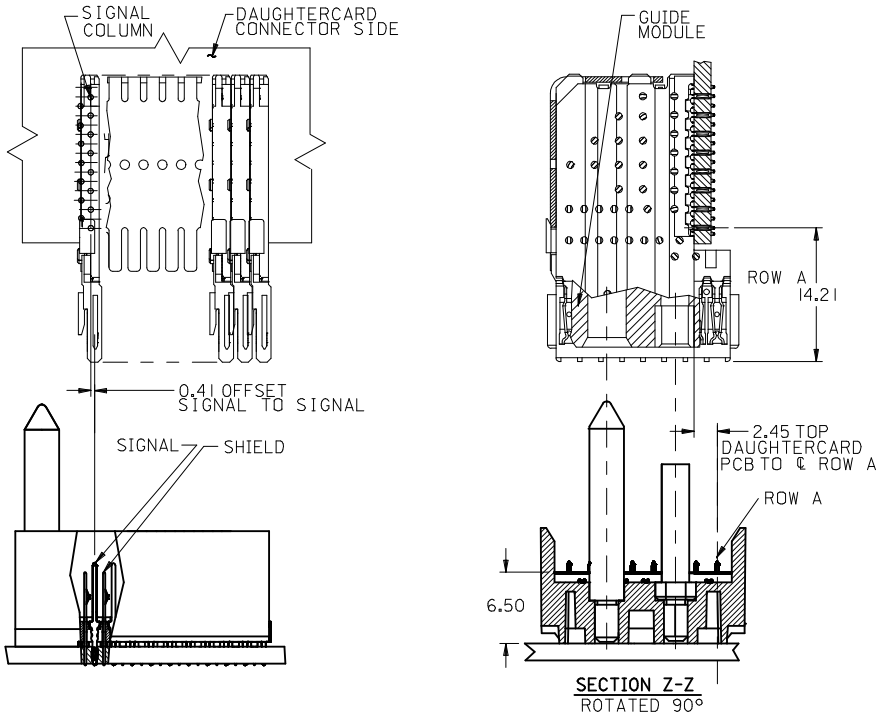
LEAD FREE CONVERSION EC NO: UCP2013-0687 DRWNS:DANIELLEY 2010/03/08 CHKD:J.MELTON 2010/03/08 APPR:SMILLER 2012/12/14	QUALITY SYMBOLS 	GENERAL TOLERANCES (UNLESS SPECIFIED)		DIMENSION STYLE MM ONLY	SCALE 3:1	DESIGN UNITS METRIC	THIRD ANGLE PROJECTION		
		4 PLACES ± --- ± --- 3 PLACES ± --- ± --- 2 PLACES ± 0.15 ± --- 1 PLACE ± 0.25 ± --- 0 PLACE ± --- ± ---	mm INCH	DRAWN BY J JONIAK	DATE 2008/04/11	TITLE VHDM H-SERIES 8 ROW SIGNAL END BACKPLANE SALES DRAWING			
		DRAFT WHERE APPLICABLE MUST REMAIN WITHIN DIMENSIONS		CHECKED BY BINGHAM	DATE 2008/04/11	molex			
		ANGULAR ±1/2°		APPROVED BY BINGHAM	DATE 2008/04/11	MATERIAL NO. SEE SHT.2	DOCUMENT NO. SD-76135-001	SHEET NO. 1 OF 2	

M/N 76135-()	-**0*	-**1*	-**2*	-**3*	-**4*	-**5*	-**6*	-**7*	-**8*
KEYING PIN ORIENTATION									

76135 - * * * *

CONTACT LOAD
(PIN HEIGHT)
1 & 6 = 4.75
2 & 7 = 6.25
3 & 8 = 4.25
4 & 9 = 5.15

NUMBER OF COLUMNS/PLATING
10 = 10 COLUMN MATTE TIN (FORMERLY TIN/LEAD)
25 = 25 COLUMN MATTE TIN (FORMERLY TIN/LEAD)
60 = 10 COLUMN MATTE TIN
75 = 25 COLUMN MATTE TIN
90 = 10 COLUMN MATTE TIN
85 = 25 COLUMN MATTE TIN



PART NUMBER	COLUMN	NUMBER OF SIGNAL PIN	NUMBER OF SHIELD	A	B	M	GOLD THICKNESS MICROMETER	TIN THICKNESS MICROMETER
76135-60*1	10	80	10	27.00	18.00	4.75	0.25 MAPS	0.76-1.52
76135-0*1							0.76	
76135-0*6							1.27	
76135-75*1	25	200	25	57.00	48.00	6.25	0.25 MAPS	
76135-5*1							0.76	
76135-5*6							1.27	
76135-60*2	10	80	10	27.00	18.00	4.25	0.25 MAPS	
76135-0*2							0.76	
76135-0*7							1.27	
76135-75*2	25	200	25	57.00	48.00	5.15	0.25 MAPS	
76135-5*2							0.76	
76135-5*7							1.27	
76135-60*3	10	80	10	27.00	18.00	4.25	0.25 MAPS	
76135-0*3							0.76	
76135-0*8							1.27	
76135-75*3	25	200	25	57.00	48.00	5.15	0.25 MAPS	
76135-5*3							0.76	
76135-5*8							1.27	
76135-60*4	10	80	10	27.00	18.00	5.15	0.25 MAPS	
76135-0*4							0.76	
76135-0*9							1.27	
76135-75*4	25	200	25	57.00	48.00	5.15	0.25 MAPS	
76135-5*4							0.76	
76135-5*9							1.27	

SEE SHEET 1 EC NO: UCP2013-0687 DRWNS:DANNELLEY 2010/03/08 CHKD:JMELTON 2010/03/08 APPR:SMILLER	QUALITY SYMBOLS	GENERAL TOLERANCES (UNLESS SPECIFIED)	DIMENSION STYLE	SCALE	DESIGN UNITS	THIRD ANGLE PROJECTION
	▽=0	mm INCH	MM ONLY	3:1	METRIC	
	▽=0	4 PLACES ± --- ± ---	DRAWN BY DATE	TITLE		
	▽=0	3 PLACES ± --- ± ---	JJONIAK 2008/04/11	VHDM H-SERIES 8 ROW SIGNAL END BACKPLANE SALES DRAWING		
	2 PLACES ± 0.15 ± ---	CHECKED BY DATE				
	1 PLACE ± 0.25 ± ---	BINGHAM 2008/04/11				
	0 PLACE ± --- ± ---	APPROVED BY DATE	DOCUMENT NO.			
		BINGHAM 2008/04/11	SD-76135-001			
			SHEET NO.			
			2 OF 2			
			THIS DRAWING CONTAINS INFORMATION THAT IS PROPRIETARY TO MOLEX INCORPORATED AND SHOULD NOT BE USED WITHOUT WRITTEN PERMISSION			