



Chipsmall Limited consists of a professional team with an average of over 10 year of expertise in the distribution of electronic components. Based in Hongkong, we have already established firm and mutual-benefit business relationships with customers from,Europe,America and south Asia,supplying obsolete and hard-to-find components to meet their specific needs.

With the principle of "Quality Parts,Customers Priority,Honest Operation,and Considerate Service",our business mainly focus on the distribution of electronic components. Line cards we deal with include Microchip,ALPS,ROHM,Xilinx,Pulse,ON,Everlight and Freescale. Main products comprise IC,Modules,Potentiometer,IC Socket,Relay,Connector.Our parts cover such applications as commercial,industrial, and automotives areas.

We are looking forward to setting up business relationship with you and hope to provide you with the best service and solution. Let us make a better world for our industry!



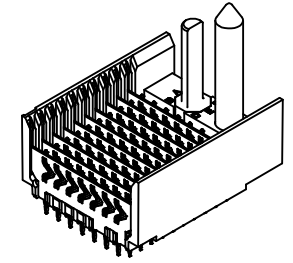
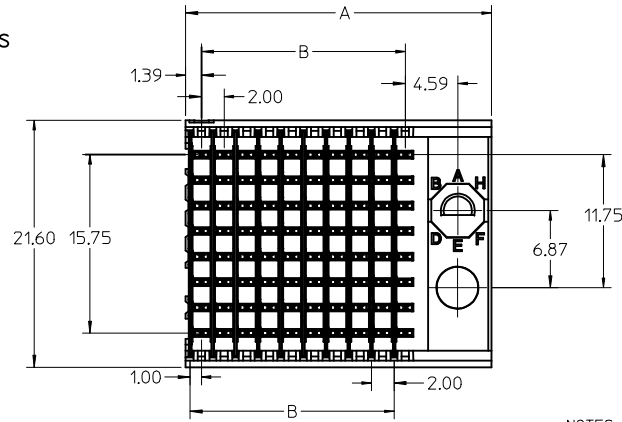
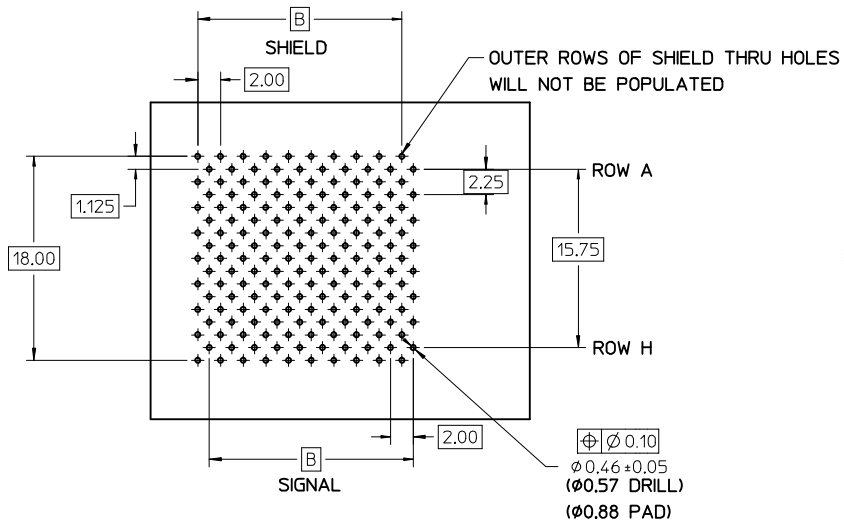
Contact us

Tel: +86-755-8981 8866 Fax: +86-755-8427 6832

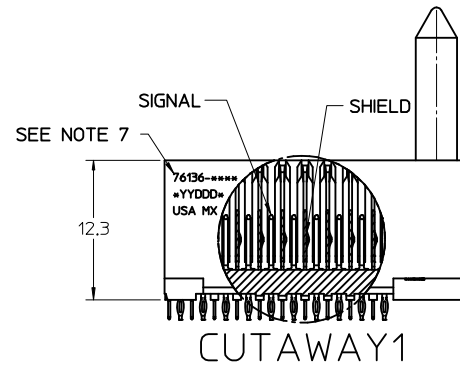
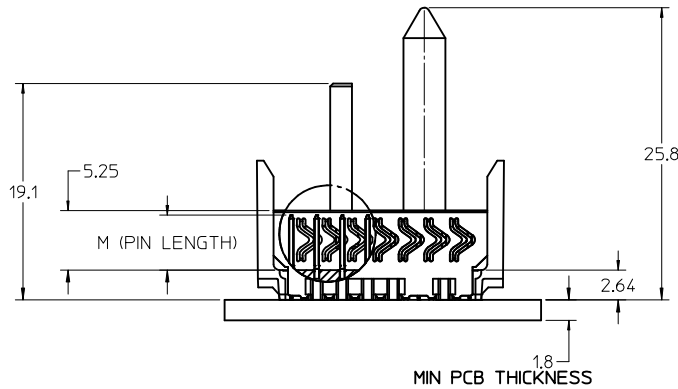
Email & Skype: info@chipsmall.com Web: www.chipsmall.com

Address: A1208, Overseas Decoration Building, #122 Zhenhua RD., Futian, Shenzhen, China



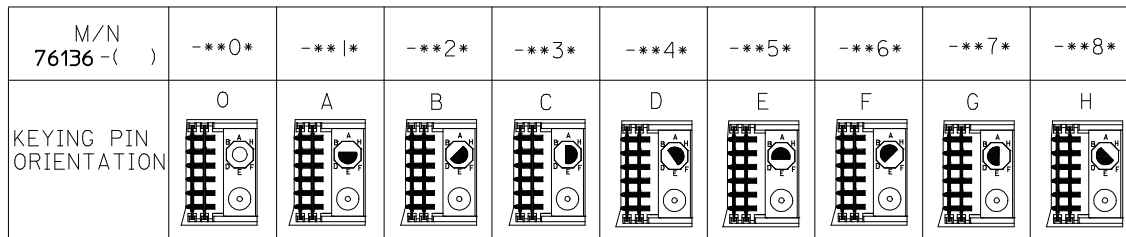


- NOTES:
1. MATERIALS: HOUSING - LIQUID CRYSTAL POLYMER (LCP)
GLASS FILLED, UL94V-0, BLACK
SIGNAL PIN AND SHIELD - COPPER ALLOY
 2. FINISHES: CONTACT AREA - SELECTIVE GOLD (Au)
PCB TAILS - SELECTIVE MATTE TIN (Sn)
 3. THIS PART CONFORMS TO MOLEX PRODUCT SPECIFICATION PS-74031-999.
 4. FOR MIXED CONTACT LENGTH CONTACT MOLEX FOR AVAILABILITY.
 5. FOR SPECIFIC MATERIAL NUMBERS AND MATING INFORMATION REFER TO SHEET 2.
 6. PACKAGE PER PK-74061-003.
 7. ASSEMBLY WILL BE MARKED WITH P/N AND DATE CODE WITH LASER MARK ON SIDE OF HOUSING
 8. MAPS (MOLEX ADVANCED PLATING SYSTEM).



THE PRIMARY CARTON WITH A LABEL STATING "ELV AND RoHS COMPLIANT" IS LEAD FREE. CARTONS WITHOUT THIS LABEL MAY CONTAIN LEAD.

DRAWING CLEAN-UP EC NO: UCP2013-2637 DRW:RHI/PPLE 2012/12/28 CHKD:M/LFE 2012/12/29 APPR:SMILLER 2013/01/11	REVISIONS REV. DESCRIPTION	QUALITY SYMBOLS ▽=0 ▽=0 ▽=0	GENERAL TOLERANCES (UNLESS SPECIFIED)		DIMENSION STYLE MM ONLY	SCALE 3:1	DESIGN UNITS METRIC	THIRD ANGLE PROJECTION
			mm	INCH	DRAWN BY J JONIAK	DATE 2008/04/11	TITLE VHDM H-SERIES 8 ROW SHIELD END BACKPLANE SALES DRAWING	
D			4 PLACES	± --- ± ---	CHECKED BY BINGHAM	DATE 2008/04/11	DOCUMENT NO. SD-76136-001	SHEET NO. 1 OF 2
			3 PLACES	± --- ± ---	APPROVED BY BINGHAM	DATE 2008/04/11		
			2 PLACES	± 0.15 ± ---	MATERIAL NO. SEE SHEET 2			
			1 PLACE	± 0.25 ± ---	THIS DRAWING CONTAINS INFORMATION THAT IS PROPRIETARY TO MOLEX INCORPORATED AND SHOULD NOT BE USED WITHOUT WRITTEN PERMISSION			
			0 PLACE	± --- ± ---				
			ANGULAR ±1/2°					
			DRAFT WHERE APPLICABLE MUST REMAIN WITHIN DIMENSIONS					

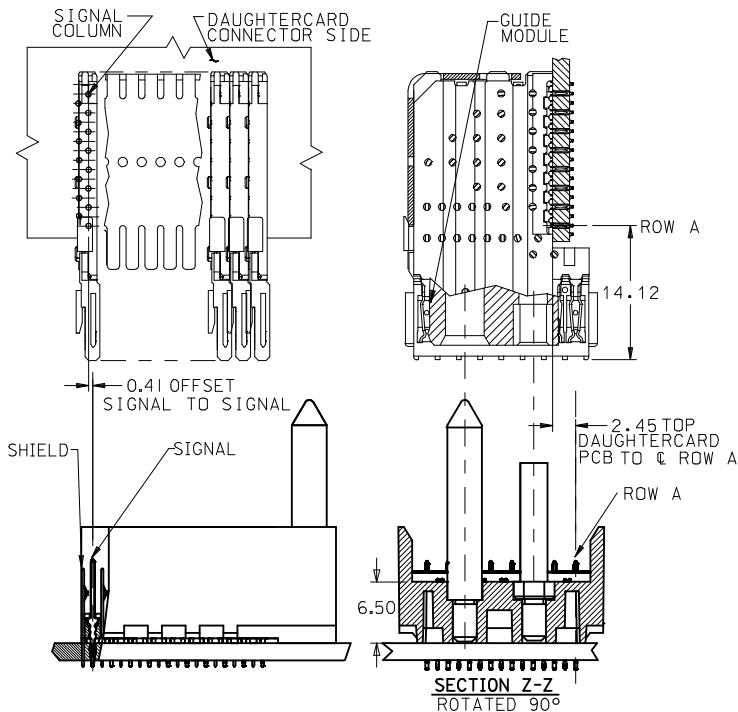


76136 - * * * *

CONTACT LOAD
(PIN LENGTH)
1 & 6 = 4.75
2 & 7 = 6.25
3 & 8 = 4.25
4 & 9 = 5.15

NUMBER OF COLUMNS/PLATING
10 = 10 COLUMN MATTE TIN (FORMERLY TIN/LEAD)
25 = 25 COLUMN MATTE TIN (FORMERLY TIN/LEAD)
60 = 10 COLUMN MATTE TIN (MAPS)
75 = 25 COLUMN MATTE TIN (MAPS)
90 = 10 COLUMN MATTE TIN
85 = 25 COLUMN MATTE TIN

PART NUMBER	COLUMN	NUMBER OF SIGNAL PIN	NUMBER OF SHIELD	A	B	M	GOLD THICKNESS MICROMETER	TIN THICKNESS MICROMETER
76136-60*1	10	80	10	27.00	18.00	4.75	0.25 MAPS	0.76-1.52
76136-*0*1							0.76	
76136-*0*6							1.27	
76136-75*1	25	200	25	57.00	48.00	4.75	0.25 MAPS	
76136-*5*1							0.76	
76136-*5*6							1.27	
76136-60*2	10	80	10	27.00	18.00	6.25	0.25 MAPS	
76136-*0*2							0.76	
76136-*0*7							1.27	
76136-75*2	25	200	25	57.00	48.00	6.25	0.25 MAPS	
76136-*5*2							0.76	
76136-*5*7							1.27	
76136-60*3	10	80	10	27.00	18.00	4.25	0.25 MAPS	
76136-*0*3							0.76	
76136-*0*8							1.27	
76136-75*3	25	200	25	57.00	48.00	4.25	0.25 MAPS	
76136-*5*3							0.76	
76136-*5*8							1.27	
76136-60*4	10	80	10	27.00	18.00	5.15	0.25 MAPS	
76136-*0*4							0.76	
76136-*0*9							1.27	
76136-75*4	25	200	25	57.00	48.00	5.15	0.25 MAPS	
76136-*5*4							0.76	
76136-*5*9							1.27	



SEE SHEET 1 EC NO: UCP2013-2637 DRW:RWHIPPLE 2012/12/28 CHKD:MWOLFE 2012/12/29 APPR:SMILLER 2013/01/11	QUALITY SYMBOLS ▽=0 ▽=0 ▽=0	GENERAL TOLERANCES (UNLESS SPECIFIED) mm INCH 4 PLACES ± --- ± --- 3 PLACES ± --- ± --- 2 PLACES ± 0.15 ± --- 1 PLACE ± 0.25 ± --- 0 PLACE ± --- ± ---	DIMENSION STYLE MM ONLY	SCALE 5:1	DESIGN UNITS METRIC	THIRD ANGLE PROJECTION	DRAWN BY J JONIAK DATE 2008/04/11	CHECKED BY BINGHAM DATE 2008/04/11	APPROVED BY BINGHAM DATE 2008/04/11	MATERIAL NO.	DOCUMENT NO. SD-76136-001	SHEET NO. 2 OF 2
DRAFT WHERE APPLICABLE MUST REMAIN WITHIN DIMENSIONS												
THIS DRAWING CONTAINS INFORMATION THAT IS PROPRIETARY TO MOLEX INCORPORATED AND SHOULD NOT BE USED WITHOUT WRITTEN PERMISSION												