



Chipsmall Limited consists of a professional team with an average of over 10 year of expertise in the distribution of electronic components. Based in Hongkong, we have already established firm and mutual-benefit business relationships with customers from,Europe,America and south Asia,supplying obsolete and hard-to-find components to meet their specific needs.

With the principle of “Quality Parts,Customers Priority,Honest Operation,and Considerate Service”,our business mainly focus on the distribution of electronic components. Line cards we deal with include Microchip,ALPS,ROHM,Xilinx,Pulse,ON,Everlight and Freescale. Main products comprise IC,Modules,Potentiometer,IC Socket,Relay,Connector.Our parts cover such applications as commercial,industrial, and automotives areas.

We are looking forward to setting up business relationship with you and hope to provide you with the best service and solution. Let us make a better world for our industry!



Contact us

Tel: +86-755-8981 8866 Fax: +86-755-8427 6832

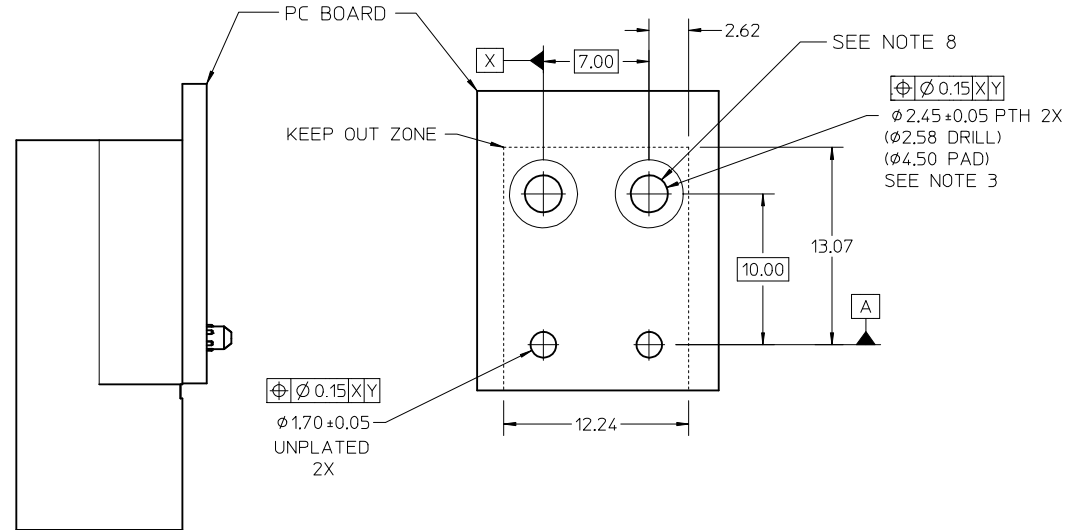
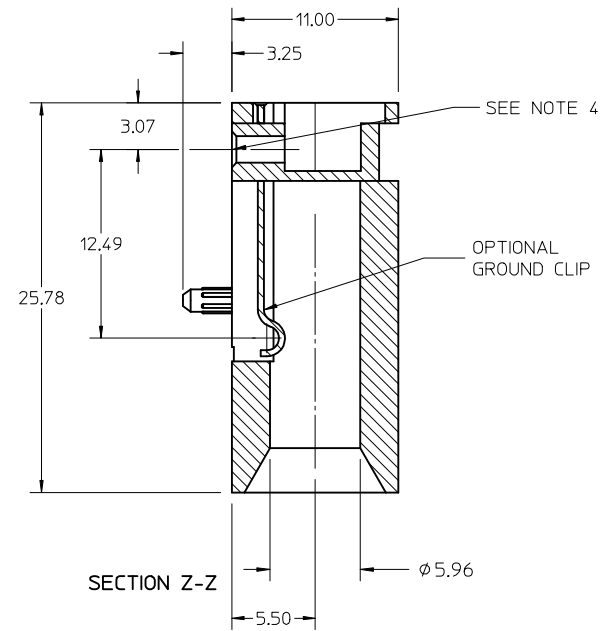
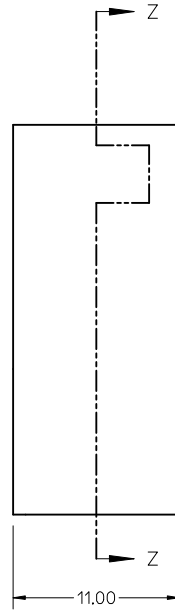
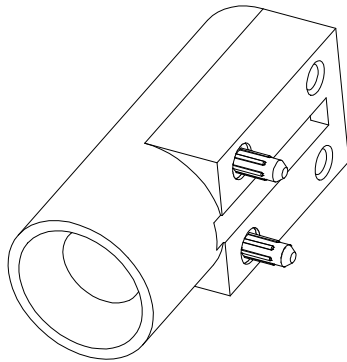
Email & Skype: info@chipsmall.com Web: www.chipsmall.com

Address: A1208, Overseas Decoration Building, #122 Zhenhua RD., Futian, Shenzhen, China



NOTES:

1. MATERIALS: HOUSING - ZINC DIE CAST.
TERMINAL - HIGH PERFORMANCE COPPER ALLOY.
2. FINISH: HOUSING - CLEAR TRIVALENT CHROMATE (SILVER IN VISUAL APPEARANCE).
TERMINAL - SELECTIVE GOLD IN CONTACT AREA.
3. THE ESD GROUND CLIP AND PLATED THROUGH HOLE REQUIREMENT APPLIES TO THE ESD GROUND MODULE ONLY. THE UNGROUNDED GUIDE MODULE USES A $\varnothing 2.60 \pm 0.05$ UNPLATED SCREW HOLE.
4. SCREW TORQUE SPECIFICATION: 2.0 IN-LBS.
5. THIS GUIDE MODULE IS TO BE USED WITH GUIDE PIN KIT P/N 75234-1478.
6. KIT PART NUMBERS ARE SHIPPED WITH 2-56 UNC 2B SCREW P/N 73774-1000.
7. THIS PART CONFORMS TO CLASS B REQUIREMENTS OF COSMETIC SPEC PS-45499-002.
8. ALLOW A 5.60 MM DIAMETER KEEP-OUT ZONE FOR WASHERS INCLUDED WITH PROVIDED SCREWS.



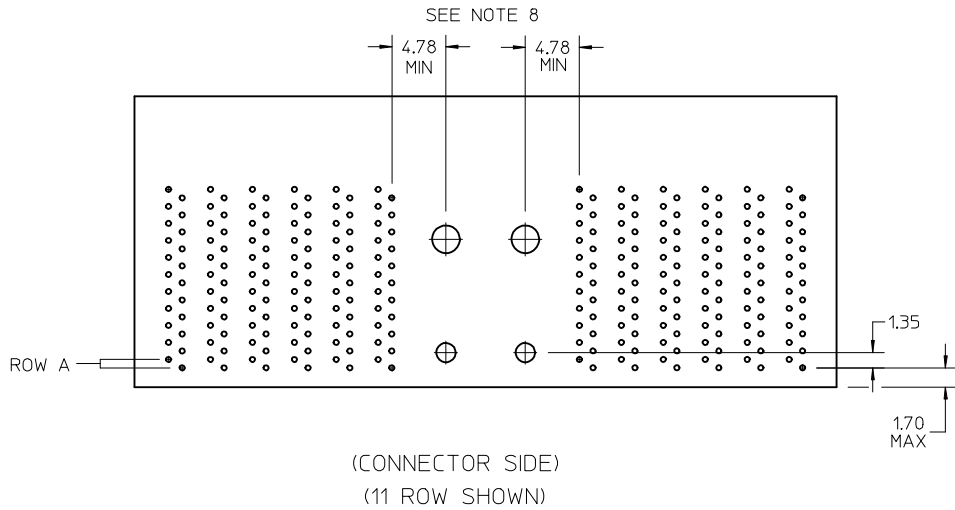
KIT PART NUMBER*	STYLE
76153-1001	W/O ESD CLIP
76153-1002	W/ESD CLIP

*KIT PART NUMBER INCLUDES THE GUIDE MODULE AND 2 SCREWS. (SEE NOTE 6)

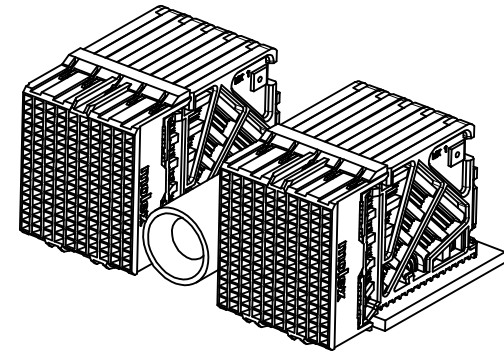
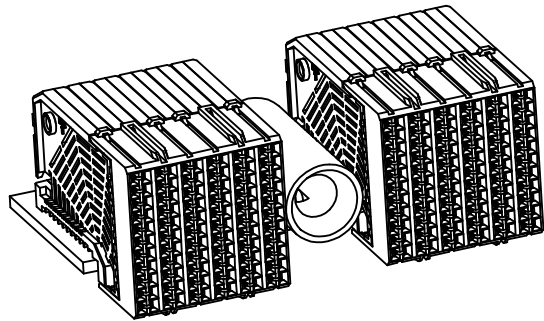
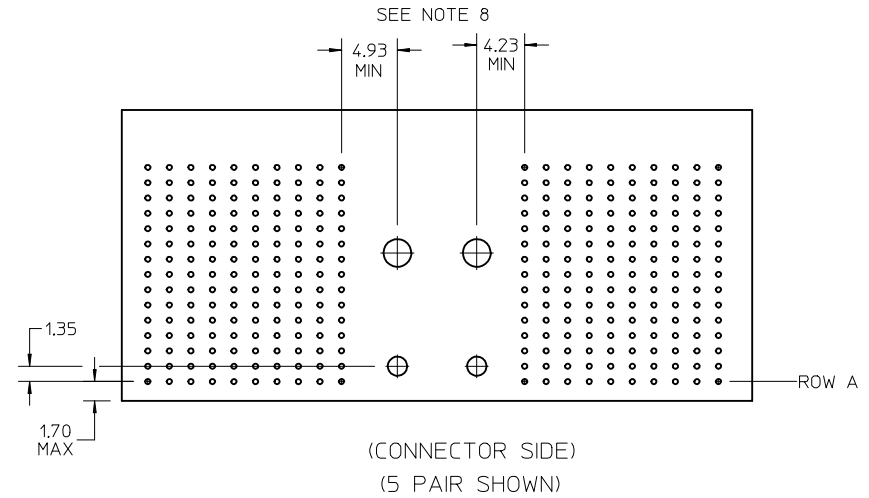
CORRECT IMPEL PIN A1 LOCATION IEC NO: UCP2016-4598 DR: WINDYARVARA 2016/05/26 CHKD: APPR: TELO 2016/05/26	QUALITY SYMBOLS ▽=0 ▽=0	GENERAL TOLERANCES (UNLESS SPECIFIED) <table border="1"> <thead> <tr> <th></th> <th>mm</th> <th>INCH</th> </tr> </thead> <tbody> <tr> <td>4 PLACES</td> <td>± .05</td> <td>± .002</td> </tr> <tr> <td>3 PLACES</td> <td>± .05</td> <td>± .002</td> </tr> <tr> <td>2 PLACES</td> <td>± 0.13</td> <td>± .005</td> </tr> <tr> <td>1 PLACE</td> <td>± 0.25</td> <td>± .010</td> </tr> </tbody> </table> ANGULAR ± .5 °		mm	INCH	4 PLACES	± .05	± .002	3 PLACES	± .05	± .002	2 PLACES	± 0.13	± .005	1 PLACE	± 0.25	± .010	DIMENSION STYLE MM ONLY	SCALE 4:1	DESIGN UNITS METRIC	THIRD ANGLE PROJECTION
		mm	INCH																		
	4 PLACES	± .05	± .002																		
	3 PLACES	± .05	± .002																		
2 PLACES	± 0.13	± .005																			
1 PLACE	± 0.25	± .010																			
DRAWN BY JMENDOZA	DATE 2008/11/20	CHECKED BY JLAURX	DATE 2008/11/20	TITLE PIRATE CANNON WIDE GUIDE DIE CAST GUIDE MODULE																	
APPROVED BY JLAURX	DATE 2008/11/20	MATERIAL NO. SEE CHART			MOLEX INCORPORATED																
DRAFT WHERE APPLICABLE MUST REMAIN WITHIN DIMENSIONS			SIZE C	DOCUMENT NO. SD-76153-001			SHEET NO. 1 OF 3														

THIS DRAWING CONTAINS INFORMATION THAT IS PROPRIETARY TO MOLEX INCORPORATED AND SHOULD NOT BE USED WITHOUT WRITTEN PERMISSION

I-TRAC DAUGHTERCARD BOARD LAYOUT



IMPACT DAUGHTERCARD BOARD LAYOUT

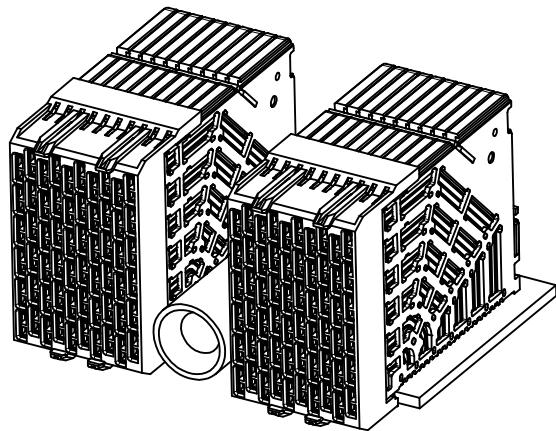
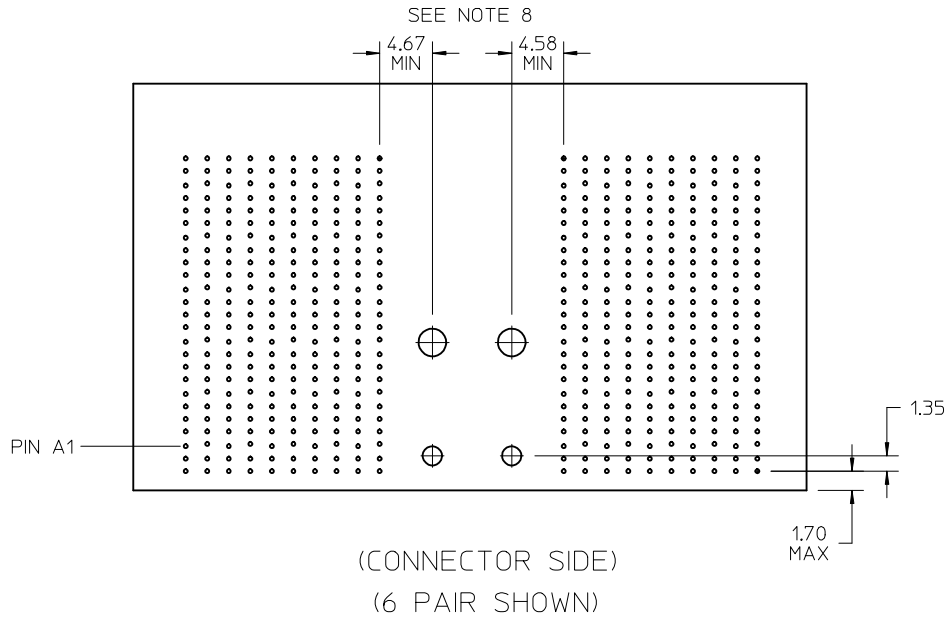


NOTES:

- 8. THIS DIMENSION IS RELATED TO THE GUIDE PIN SPACING ON THE BACKPLANE SIDE, AS THIS DIMENSION INCREASES THE BACKPLANE TO GUIDE PIN SPACING MUST ALSO INCREASE. PLEASE SEE SD-75234-478 FOR ADDITIONAL INFORMATION.
- 9. THIS DRAWING SHOWS IMPACT AND I-TRAC FOR REFERENCE PURPOSES, THIS GUIDE MODULE IS A STANDALONE UNIT AND CAN BE USED WITH MANY MOLEX CONNECTORS.
- 10.FOR DETAIL SIGNAL CONNECTOR BOARD LAYOUTS PLEASE SEE THE SALES DRAWING FOR THE SPECIFIC PART.

SEE SHEET 1 EC NO: UCP2016-4598 DRAWN: DVARVARA 2016/05/26 CHKD: APPR: TELO	DESCRIPTION 2016/05/26	QUALITY SYMBOLS	GENERAL TOLERANCES (UNLESS SPECIFIED)	DIMENSION STYLE MM ONLY	SCALE 3:1	DESIGN UNITS METRIC	THIRD ANGLE PROJECTION																								
		$\nabla=0$ $\nabla=0$	<table border="1"> <thead> <tr> <th></th> <th>mm</th> <th>INCH</th> </tr> </thead> <tbody> <tr> <td>4 PLACES</td> <td>± ---</td> <td>± ---</td> </tr> <tr> <td>3 PLACES</td> <td>± ---</td> <td>± ---</td> </tr> <tr> <td>2 PLACES</td> <td>± 0.13</td> <td>± ---</td> </tr> <tr> <td>1 PLACE</td> <td>± 0.25</td> <td>± ---</td> </tr> </tbody> </table>		mm	INCH	4 PLACES	± ---	± ---	3 PLACES	± ---	± ---	2 PLACES	± 0.13	± ---	1 PLACE	± 0.25	± ---	<table border="1"> <thead> <tr> <th>DRAWN BY</th> <th>DATE</th> </tr> </thead> <tbody> <tr> <td>JMENDOZA</td> <td>2008/11/20</td> </tr> <tr> <th>CHECKED BY</th> <th>DATE</th> </tr> <tr> <td>JLAURX</td> <td>2008/11/20</td> </tr> <tr> <th>APPROVED BY</th> <th>DATE</th> </tr> <tr> <td>JLAURX</td> <td>2008/11/20</td> </tr> </tbody> </table>	DRAWN BY	DATE	JMENDOZA	2008/11/20	CHECKED BY	DATE	JLAURX	2008/11/20	APPROVED BY	DATE	JLAURX	2008/11/20
	mm	INCH																													
4 PLACES	± ---	± ---																													
3 PLACES	± ---	± ---																													
2 PLACES	± 0.13	± ---																													
1 PLACE	± 0.25	± ---																													
DRAWN BY	DATE																														
JMENDOZA	2008/11/20																														
CHECKED BY	DATE																														
JLAURX	2008/11/20																														
APPROVED BY	DATE																														
JLAURX	2008/11/20																														
MATERIAL NO. SEE CHART		DOCUMENT NO. SD-76153-001		SHEET NO. 2 OF 3																											
DRAFT WHERE APPLICABLE MUST REMAIN WITHIN DIMENSIONS																															
THIS DRAWING CONTAINS INFORMATION THAT IS PROPRIETARY TO MOLEX INCORPORATED AND SHOULD NOT BE USED WITHOUT WRITTEN PERMISSION																															

IMPEL DAUGHTERCARD BOARD LAYOUT



SEE SHEET 1 EC NO: UCP2016-4598 DRWN: DVARVARA 2016/05/26 CHKD: APPR: TELO 2016/05/26 REV: E7	QUALITY SYMBOLS	GENERAL TOLERANCES (UNLESS SPECIFIED)	DIMENSION STYLE	SCALE	DESIGN UNITS	THIRD ANGLE PROJECTION
	▽=0	mm INCH	MM ONLY	3:1	METRIC	
	▽=0	4 PLACES ± --- ± ---	DRAWN BY DATE	TITLE		
	▽=0	3 PLACES ± --- ± ---	JMENDOZA 2008/11/20	PIRATE CANNON WIDE GUIDE DIE CAST GUIDE MODULE		
	2 PLACES ± 0.13 ± ---	CHECKED BY DATE	molex DOCUMENT NO. SD-76153-001 SHEET NO. 3 OF 3			
	1 PLACE ± 0.25 ± ---	JLAURX 2008/11/20				
	0 PLACE ± ±	APPROVED BY DATE	THIS DRAWING CONTAINS INFORMATION THAT IS PROPRIETARY TO MOLEX INCORPORATED AND SHOULD NOT BE USED WITHOUT WRITTEN PERMISSION			
		JLAURX 2008/11/20				
		MATERIAL NO.				
		ANGULAR ± .5 °				
		DRAFT WHERE APPLICABLE MUST REMAIN WITHIN DIMENSIONS				