



Chipsmall Limited consists of a professional team with an average of over 10 year of expertise in the distribution of electronic components. Based in Hongkong, we have already established firm and mutual-benefit business relationships with customers from,Europe,America and south Asia,supplying obsolete and hard-to-find components to meet their specific needs.

With the principle of “Quality Parts,Customers Priority,Honest Operation,and Considerate Service”,our business mainly focus on the distribution of electronic components. Line cards we deal with include Microchip,ALPS,ROHM,Xilinx,Pulse,ON,Everlight and Freescale. Main products comprise IC,Modules,Potentiometer,IC Socket,Relay,Connector.Our parts cover such applications as commercial,industrial, and automotives areas.

We are looking forward to setting up business relationship with you and hope to provide you with the best service and solution. Let us make a better world for our industry!



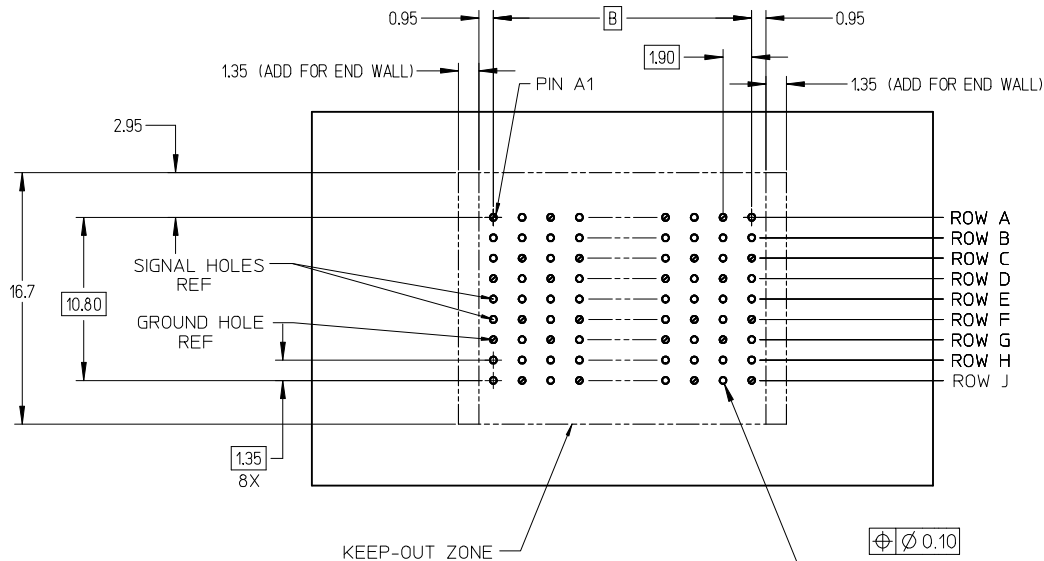
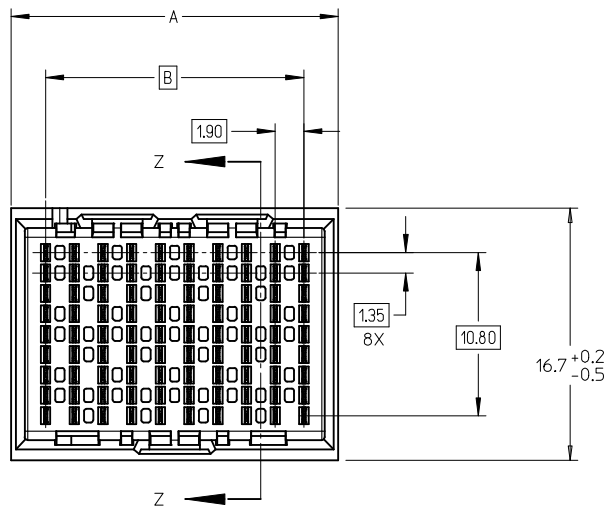
Contact us

Tel: +86-755-8981 8866 Fax: +86-755-8427 6832

Email & Skype: info@chipsmall.com Web: www.chipsmall.com

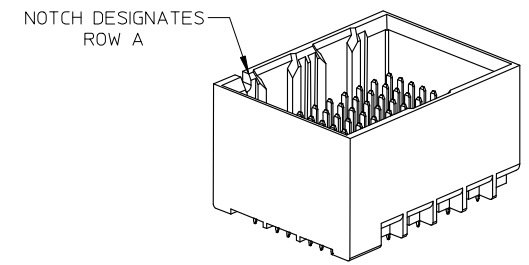
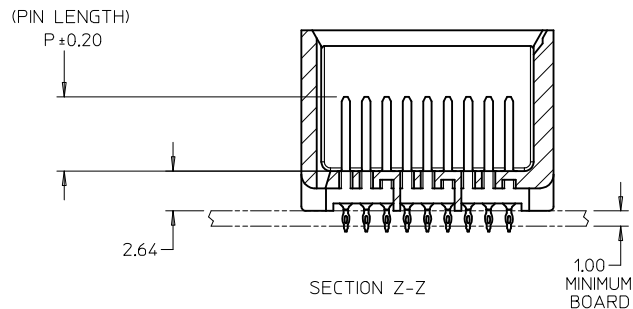
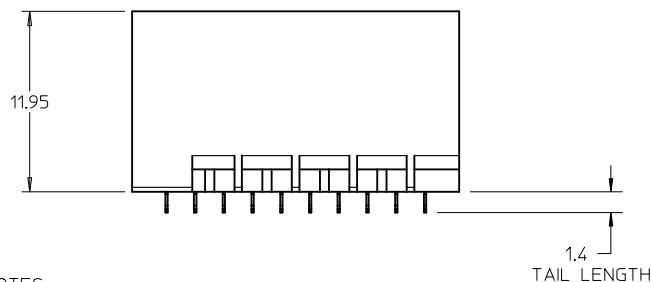
Address: A1208, Overseas Decoration Building, #122 Zhenhua RD., Futian, Shenzhen, China





SEE PART NUMBER CHART AND PART NUMBER LOGIC (9 HOLES PER COLUMN)

UNGUIDED BACKPLANE HOLE PATTERN (CONNECTOR SIDE) SEE NOTE 9

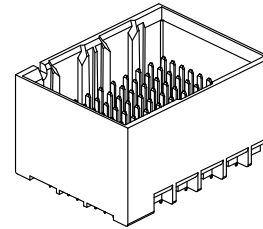


- NOTES:
1. MATERIALS: HOUSING - LIQUID CRYSTAL POLYMER (LCP)
GLASS-FILLED, UL94V-0
TERMINALS - HIGH PERFORMANCE COPPER ALLOY
 2. FINISH: 30µ MIN GOLD IN CONTACT AREA.
SELECTIVE TIN ON PCB TAILS.
NICKEL OVERALL.
 3. REFER TO MOLEX PRODUCT SPECIFICATION PS-76060-999 FOR PERFORMANCE SPECIFICATIONS AND ADDITIONAL PCB INFORMATION.
 4. THIS PART CONFORMS TO CLASS B REQUIREMENTS OF MOLEX COSMETIC SPEC PS-45499-002.
 5. PARTS PACKAGED PER PK-70873-7700.
 6. SEE SHEETS 2 & 3 FOR PART NUMBERS AND BOARD RELATIONSHIPS.
 7. MATES WITH IMPACT DC SERIES NO. 76170.
 8. REFER TO MOLEX PCB ROUTING GUIDE AS-76060-990 FOR ANTIPAD AND ROUTING RECOMMENDATIONS.
 9. *THESE DIMENSIONS REPRESENT THE AREA NEEDED TO ACCOMMODATE CONNECTOR INSERTION AND REPAIR ON THE PC BOARD. THIS IS REFERRED TO AS THE "CONNECTOR KEEP OUT ZONE" AND DOES NOT REPRESENT THE ACTUAL PERIMETER OF THE CONNECTOR, WHEN LAYING OUT A PC BOARD FOR CONNECTORS STACKED TOGETHER. USE A 1.9mm PROGRESSION.*

CONVERT TO LEAD-FREE EC NO: UCP2013-2078 DRWNT:IBARRA 2012/11/26 CHKD:BJNGHAM 2012/12/18 APPR:SMILLER 2012/12/31	QUALITY SYMBOLS 	GENERAL TOLERANCES (UNLESS SPECIFIED)		DIMENSION STYLE MM ONLY	SCALE 4:1	DESIGN UNITS METRIC	THIRD ANGLE PROJECTION	
		4 PLACES ± --- ± ---	DRAWN BY MSANDBERG	DATE 2007/06/18	TITLE IMPACT BP 3 PAIR UNGUIDED ASSEMBLY SALES DRAWING			
		3 PLACES ± --- ± ---	CHECKED BY JLAURX	DATE 2007/06/18				
		2 PLACES ± 0.13 ± ---	APPROVED BY JLAURX	DATE 2010/10/15	MATERIAL NO. SEE TABLE		DOCUMENT NO. SD-76165-001	SHEET NO. 1 OF 3
ANGULAR ±1/2°		DRAFT WHERE APPLICABLE MUST REMAIN WITHIN DIMENSIONS		THIS DRAWING CONTAINS INFORMATION THAT IS PROPRIETARY TO MOLEX INCORPORATED AND SHOULD NOT BE USED WITHOUT WRITTEN PERMISSION				

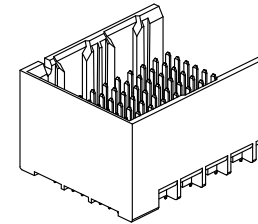
PART NUMBER TABLE

MATERIAL NUMBER	# OF COLUMNS	# OF DIFF PAIR	DIM "A"	DIM "B"	DUAL END WALL OPTION
76165-*32*	6	18	14.1	9.50	
76165-*82*	8	24	17.9	13.30	
76165-*12*	10	30	21.7	17.10	
76165-*62*	16	48	33.1	28.50	



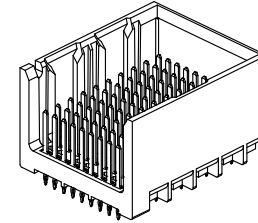
DUAL END
WALL OPTION

MATERIAL NUMBER	# OF COLUMNS	# OF DIFF PAIR	DIM "A"	DIM "B"	LEFT END WALL OPTION
76165-*31*	6	18	12.7	9.50	
76165-*81*	8	24	16.5	13.30	
76165-*11*	10	30	20.3	17.10	
76165-*61*	16	48	31.7	28.50	



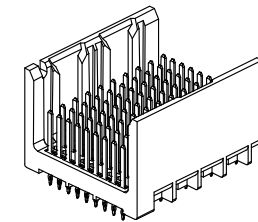
LEFT END
WALL OPTION

MATERIAL NUMBER	# OF COLUMNS	# OF DIFF PAIR	DIM "A"	DIM "B"	RIGHT END WALL OPTION
76165-*33*	6	18	12.7	9.50	
76165-*83*	8	24	16.5	13.30	
76165-*13*	10	30	20.3	17.10	
76165-*63*	16	48	31.7	28.50	



RIGHT END
WALL OPTION

MATERIAL NUMBER	# OF COLUMNS	# OF DIFF PAIR	DIM "A"	DIM "B"	OPEN WALL OPTION
76165-*30*	6	18	11.3	9.50	
76165-*80*	8	24	15.1	13.30	
76165-*10*	10	30	18.9	17.10	
76165-*60*	16	48	30.4	28.50	



OPEN
WALL OPTION

PART NUMBER LOGIC

76165-****

MODULE TYPE
1 = UNGUIDED, TIN

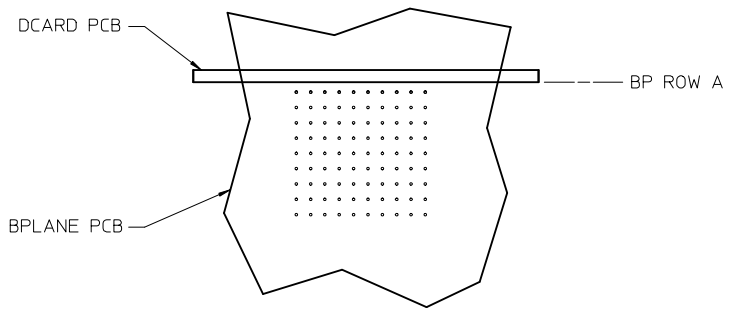
OF COLUMNS
1 = 10 COL
3 = 6 COL
6 = 16 COL
8 = 8 COL

PIN LENGTH (P)

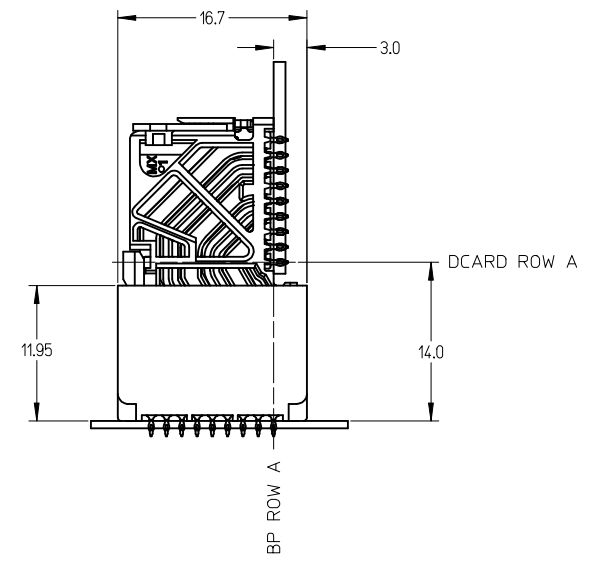
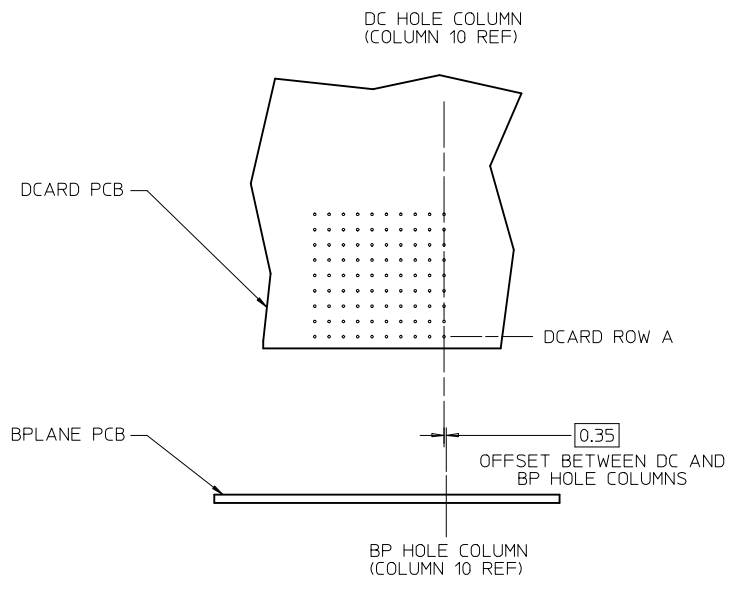
3 = 4.50 (SHORT COMPLIANT, 0.46±0.05 PTH)
4 = 4.90 (SHORT COMPLIANT, 0.46±0.05 PTH)
5 = 5.50 (SHORT COMPLIANT, 0.46±0.05 PTH)
6 = 4.50 (MICRO COMPLIANT, 0.39±0.05 PTH)
7 = 4.90 (MICRO COMPLIANT, 0.39±0.05 PTH)
8 = 5.50 (MICRO COMPLIANT, 0.39±0.05 PTH)

END WALL OPTIONS
0 = OPEN ENDS
1 = LEFT END WALL
2 = DUAL END WALL
3 = RIGHT END WALL

SEE SHEET 1 EC NO: UCP2013-2078 DRWN: TIBARRA 2012/11/26 CHKD: BINGHAM 2012/12/18 APPR: MILLER 2012/12/31	QUALITY SYMBOLS	GENERAL TOLERANCES (UNLESS SPECIFIED)	DIMENSION STYLE MM ONLY	SCALE 2.5:1	DESIGN UNITS METRIC	THIRD ANGLE PROJECTION
	▽=0	4 PLACES ± --- ± ---	DRAWN BY DATE MSANDBERG 2007/06/18	TITLE IMPACT BP 3 PAIR UNGUIDED ASSEMBLY SALES DRAWING molex DOCUMENT NO. SD-76165-001 SHEET NO. 2 OF 3		
	▽=0	3 PLACES ± --- ± ---	CHECKED BY DATE JLAURX 2007/06/18			
	▽=0	2 PLACES ± 0.13 ± ---	APPROVED BY DATE JLAURX 2010/10/15			
	1 PLACE ± 0.25 ± ---					
		0 PLACE ± ±	MATERIAL NO.			
		ANGULAR ±1/2°	SEE TABLE			
		DRAFT WHERE APPLICABLE MUST REMAIN WITHIN DIMENSIONS	SIZE C	THIS DRAWING CONTAINS INFORMATION THAT IS PROPRIETARY TO MOLEX INCORPORATED AND SHOULD NOT BE USED WITHOUT WRITTEN PERMISSION		



IMPACT 3 PAIR
BOARD RELATIONSHIPS



REV	DESCRIPTION	DATE
	APPR: MILLER	2012/12/31
	CHKD: BINGHAM	2012/12/18
	DRWN: TIBARRA	2012/11/26
SEE SHEET 1		
EC NO: UCP2013-2078		
MATERIAL NO.		

QUALITY SYMBOLS	▽=0
	▽=0
	▽=0
	▽=0
	▽=0
GENERAL TOLERANCES (UNLESS SPECIFIED)	
	mm
	INCH
4 PLACES	± ---
3 PLACES	± ---
2 PLACES	± 0.13
1 PLACE	± 0.25
0 PLACE	±
ANGULAR ±1/2°	
DRAFT WHERE APPLICABLE MUST REMAIN WITHIN DIMENSIONS	

DIMENSION STYLE	
MM ONLY	
DRAWN BY	DATE
MSANDBERG	2007/06/18
CHECKED BY	DATE
JLAURX	2007/06/18
APPROVED BY	DATE
JLAURX	2010/10/15
MATERIAL NO.	
SEE TABLE	

SCALE	DESIGN UNITS	THIRD ANGLE PROJECTION
3:1	METRIC	
TITLE		
IMPACT BP 3 PAIR UNGUIDED ASSEMBLY SALES DRAWING		
molex		
DOCUMENT NO.	SHEET NO.	
SD-76165-001	3 OF 3	
THIS DRAWING CONTAINS INFORMATION THAT IS PROPRIETARY TO MOLEX INCORPORATED AND SHOULD NOT BE USED WITHOUT WRITTEN PERMISSION		