



Chipsmall Limited consists of a professional team with an average of over 10 year of expertise in the distribution of electronic components. Based in Hongkong, we have already established firm and mutual-benefit business relationships with customers from,Europe,America and south Asia,supplying obsolete and hard-to-find components to meet their specific needs.

With the principle of “Quality Parts,Customers Priority,Honest Operation,and Considerate Service”,our business mainly focus on the distribution of electronic components. Line cards we deal with include Microchip,ALPS,ROHM,Xilinx,Pulse,ON,Everlight and Freescale. Main products comprise IC,Modules,Potentiometer,IC Socket,Relay,Connector.Our parts cover such applications as commercial,industrial, and automotives areas.

We are looking forward to setting up business relationship with you and hope to provide you with the best service and solution. Let us make a better world for our industry!



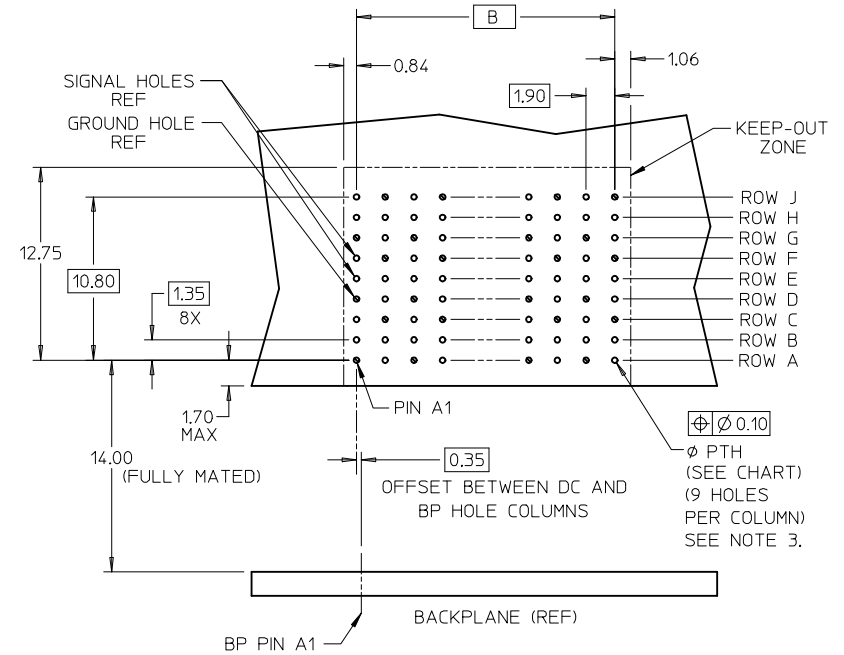
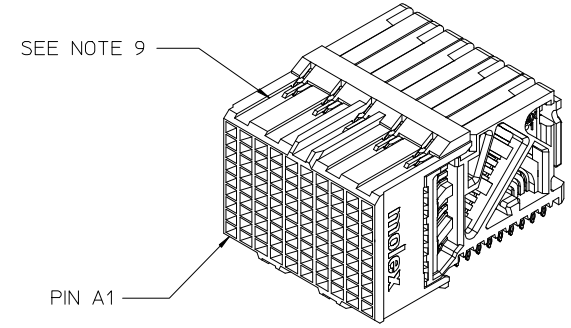
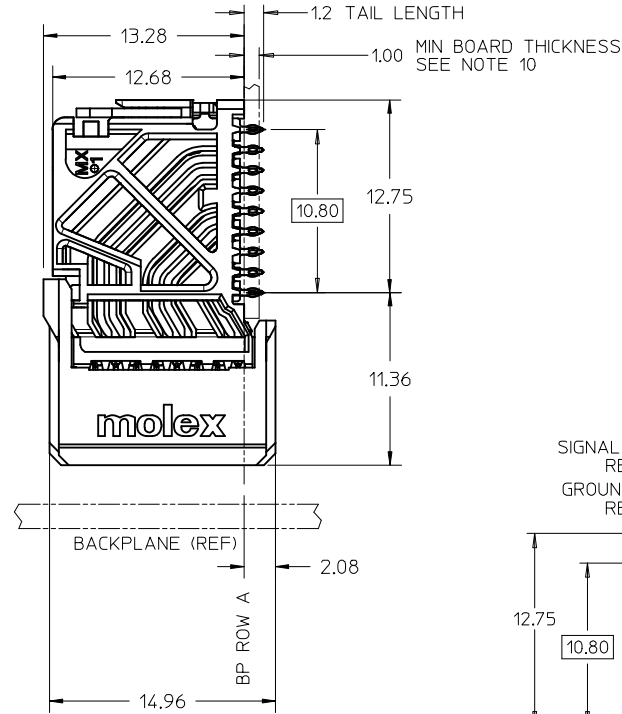
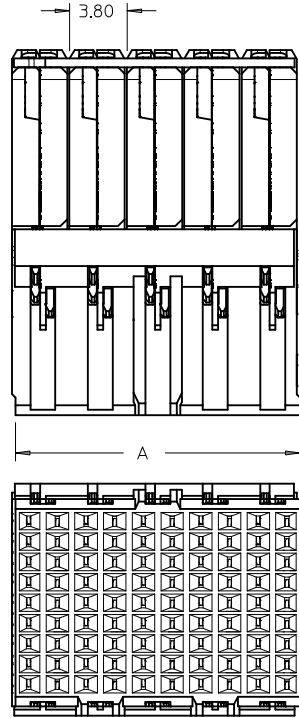
Contact us

Tel: +86-755-8981 8866 Fax: +86-755-8427 6832

Email & Skype: info@chipsmall.com Web: www.chipsmall.com

Address: A1208, Overseas Decoration Building, #122 Zhenhua RD., Futian, Shenzhen, China





DAUGHTERCARD HOLE PATTERN
(CONNECTOR SIDE)

NOTES:

1. MATERIALS: HOUSING - LIQUID CRYSTAL POLYMER (LCP), GLASS-FILLED, UL94V-0
TERMINALS - HIGH PERFORMANCE COPPER ALLOY
2. FINISH: 30μN SELECTIVE GOLD IN CONTACT AREA, SELECTIVE TIN
ON PCB TAILS, NICKEL OVERALL.
3. REFER TO MOLEX PRODUCT SPEC PS-76060-999 FOR PERFORMANCE SPECIFICATIONS
AND ADDITIONAL PCB INFORMATION.
4. EACH SIGNAL WAFER CONTAINS 2 COLUMNS OF TERMINALS.
5. PRODUCT IS PACKAGED PER PK-70873-591.
6. THIS PART CONFORMS TO CLASS B REQUIREMENTS OF COSMETIC SPEC PS-45499-002.
7. REFER TO MOLEX SALES DRAWING SD-76165-001 FOR THE MATING HEADERS AND
SD-76410-001 FOR THE MATING RAM CONNECTORS.
8. REFER TO MOLEX PCB ROUTING GUIDE AS-76060-990 FOR ANTIPAD AND ROUTING
RECOMMENDATIONS.
9. PART NUMBER 76170-1020 SHOWN ON DRAWING. KEYING FEATURES WILL CHANGE
WITH COLUMN SIZE.
10. MINIMUM BOARD THICKNESS IS 1.00 mm FOR COMPLIANT PIN FUNCTIONALITY.

STANDARDIZATION EC NO: UCP2013-5285 DRAWN: LOFSKY 2013/06/11 CHKD: APPR: TELO 2013/07/18	DESCRIPTION REV	QUALITY SYMBOLS	GENERAL TOLERANCES (UNLESS SPECIFIED)	DIMENSION STYLE MM ONLY	SCALE 4:1	DESIGN UNITS METRIC	THIRD ANGLE PROJECTION
		▽=0	mm INCH	DRAWN BY DATE JLAURX 2008/01/29	TITLE IMPACT 100 OHM DC 3 PAIR SIGNAL MODULE UNGUIDED SALES DRAWING	DOCUMENT NO. SD-76170-001	SHEET NO. 1 OF 2
		▽=0	4 PLACES ± --- ± ---	CHECKED BY DATE TELO 2008/01/29			
		▽=0	3 PLACES ± --- ± ---	APPROVED BY DATE JLAURX 2008/01/29			
	2 PLACES ± 0.13 ± ---	MATERIAL NO.					
		1 PLACE ± 0.25 ± ---	ANGULAR ±1/2°	SIZE SEE CHART	THIS DRAWING CONTAINS INFORMATION THAT IS PROPRIETARY TO MOLEX INCORPORATED AND SHOULD NOT BE USED WITHOUT WRITTEN PERMISSION		
		0 PLACE ± ±	DRAFT WHERE APPLICABLE MUST REMAIN WITHIN DIMENSIONS				

MATERIAL NUMBER	# OF COLUMNS	# OF DIFF PAIR	DIM "A" MAX	DIM "B"	PTH ϕ
76170-*006	6	18	11.40	9.50	0.46 ± 0.05
76170-*008	8	24	15.20	13.30	
76170-*010	10	30	19.00	17.10	
76170-*016	16	48	30.40	28.50	
76170-*036	6	18	11.40	9.50	0.39 ± 0.05
76170-*038	8	24	15.20	13.30	
76170-*020	10	30	19.00	17.10	
76170-*026	16	48	30.40	28.50	

76170-*0**

1 = OPEN LEAD-FREE # OF COLUMNS

- 06 = 6 COL 0.46 PTH
- 08 = 8 COL 0.46 PTH
- 10 = 10 COL 0.46 PTH
- 16 = 16 COL 0.46 PTH
- 20 = 10 COL 0.39 PTH
- 26 = 16 COL 0.39 PTH
- 36 = 6 COL 0.39 PTH
- 38 = 8 COL 0.39 PTH

SEE SHEET 1 EC NO: UCP2013-5285 DRWN: COFSKY 2013/06/11 CHKD: APPR: TELO 2013/07/18	QUALITY SYMBOLS	GENERAL TOLERANCES (UNLESS SPECIFIED)		DIMENSION STYLE	SCALE	DESIGN UNITS	THIRD ANGLE PROJECTION	
	$\nabla = 0$	mm	INCH	MM ONLY	4:1	METRIC		
	$\nabla = 0$	4 PLACES \pm ---	\pm ---	DRAWN BY	DATE	TITLE		
	$\nabla = 0$	3 PLACES \pm ---	\pm ---	JLAURX	2008/01/29	IMPACT 100 OHM DC 3 PAIR SIGNAL MODULE UNGUIDED SALES DRAWING		
	2 PLACES ± 0.13	\pm ---	CHECKED BY	DATE				
	1 PLACE ± 0.25	\pm ---	TELO	2008/01/29				
	0 PLACE \pm	\pm	APPROVED BY	DATE				
			JLAURX	2008/01/29				
		ANGULAR $\pm 1/2^\circ$	MATERIAL NO.	DOCUMENT NO.		SHEET NO.		
		DRAFT WHERE APPLICABLE MUST REMAIN WITHIN DIMENSIONS	SEE CHART	SD-76170-001		2 OF 2		
			SIZE C	THIS DRAWING CONTAINS INFORMATION THAT IS PROPRIETARY TO MOLEX INCORPORATED AND SHOULD NOT BE USED WITHOUT WRITTEN PERMISSION				

