



Chipsmall Limited consists of a professional team with an average of over 10 year of expertise in the distribution of electronic components. Based in Hongkong, we have already established firm and mutual-benefit business relationships with customers from,Europe,America and south Asia,supplying obsolete and hard-to-find components to meet their specific needs.

With the principle of “Quality Parts,Customers Priority,Honest Operation,and Considerate Service”,our business mainly focus on the distribution of electronic components. Line cards we deal with include Microchip,ALPS,ROHM,Xilinx,Pulse,ON,Everlight and Freescale. Main products comprise IC,Modules,Potentiometer,IC Socket,Relay,Connector.Our parts cover such applications as commercial,industrial, and automotives areas.

We are looking forward to setting up business relationship with you and hope to provide you with the best service and solution. Let us make a better world for our industry!



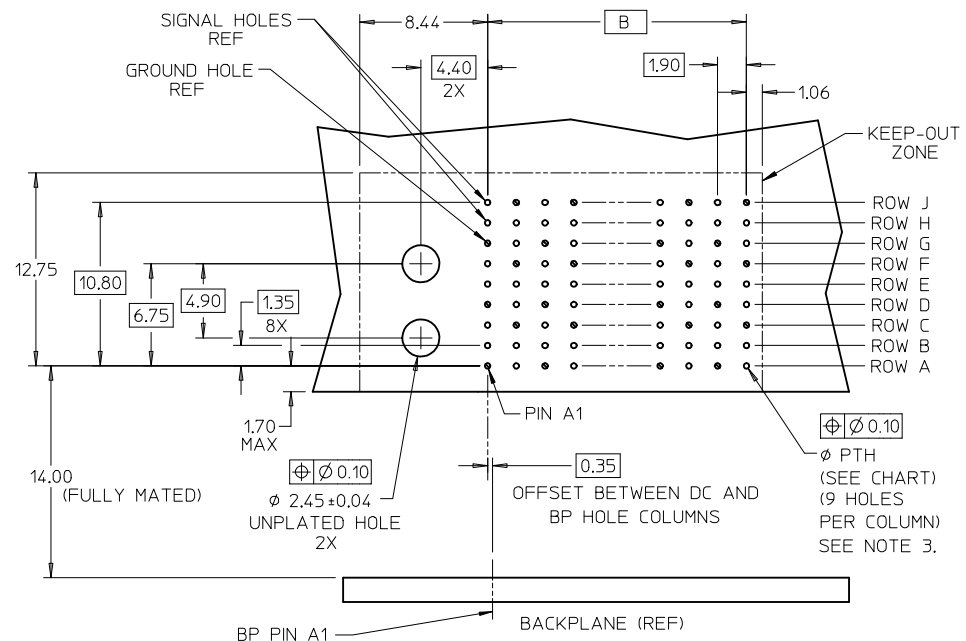
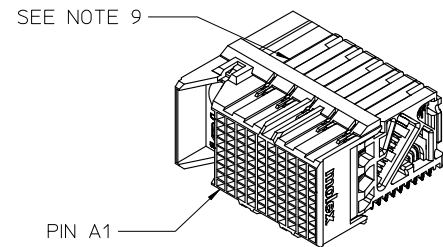
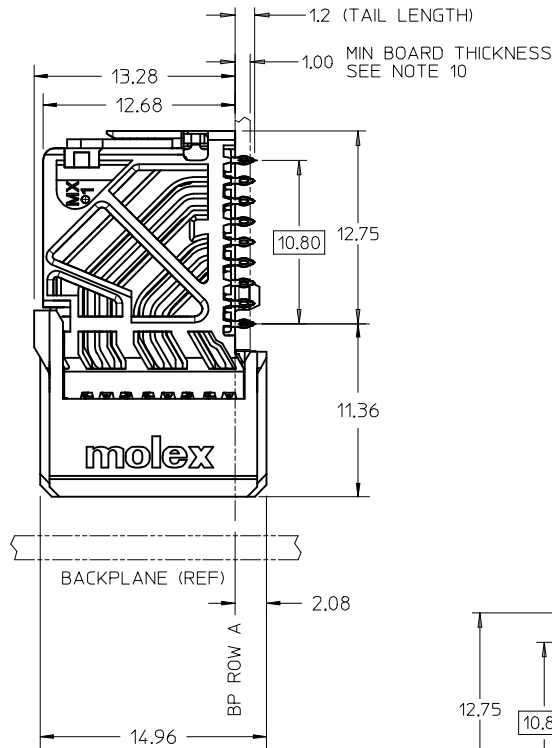
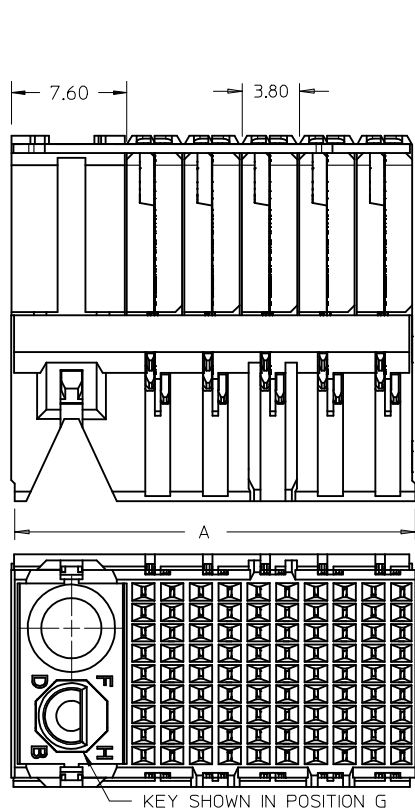
Contact us

Tel: +86-755-8981 8866 Fax: +86-755-8427 6832

Email & Skype: info@chipsmall.com Web: www.chipsmall.com

Address: A1208, Overseas Decoration Building, #122 Zhenhua RD., Futian, Shenzhen, China





DAUGHTERCARD HOLE PATTERN
(CONNECTOR SIDE)

NOTES:

1. MATERIALS: HOUSING - LIQUID CRYSTAL POLYMER (LCP), GLASS-FILLED, UL94V-0
TERMINALS - HIGH PERFORMANCE COPPER ALLOY
2. FINISH: 30 μN MIN SELECTIVE GOLD IN CONTACT AREA, SELECTIVE TIN
ON PCB TAILS. NICKEL OVERALL.
3. REFER TO MOLEX PRODUCT SPEC PS-76060-999 FOR PERFORMANCE SPECIFICATIONS
AND ADDITIONAL PCB INFORMATION.
4. EACH SIGNAL WAFER CONTAINS 2 COLUMNS OF TERMINALS.
5. PRODUCT IS PACKAGED PER PK-70873-591.
6. THIS PART CONFORMS TO CLASS B REQUIREMENTS OF COSMETIC SPEC PS-45499-002.
7. REFER TO MOLEX SALES DRAWING SD-76165-002 FOR THE MATING HEADERS AND
TO SD-76410-004 FOR THE MATING RAM CONNECTORS.
8. REFER TO MOLEX PCB ROUTING GUIDE AS-76060-990 FOR ANTI PAD AND ROUTING
RECOMMENDATIONS.
9. PART NUMBER 76170-3720 SHOWN ON DRAWING. KEYING FEATURES WILL CHANGE
WITH COLUMN SIZE.
10. MINIMUM BOARD THICKNESS IS 1.00 mm FOR COMPLIANT PIN FUNCTIONALITY.
11. WHEN USING MOLEX SUPPLIED #2-32 SCREW 73726-0005 (7.62mm +0.38/-0.76
THREADABLE SCREW LENGTH), THE MAXIMUM BOARD THICKNESS IS 1.9 mm TO 2.5 mm.

| | | | | | | | | |
|--|-----------------------|-----------------|--|---------------------------------------|--|--|-------------------------------------|---------------------|
| ADD 14 COL OPTION EC NO: UCP2016-0079 DRWNB MILLER 2015/07/07 CHKD: APPR:TELO 2015/07/07 | DESCRIPTION REV/ | QUALITY SYMBOLS | GENERAL TOLERANCES (UNLESS SPECIFIED) | DIMENSION STYLE MM ONLY | SCALE 4:1 | DESIGN UNITS METRIC | THIRD ANGLE PROJECTION | |
| | | ▽=0 | mm INCH | DRAWN BY DATE JLAURX 2008/01/29 | TITLE | IMPACT 100 OHM DC 3 PAIR SIGNAL MODULE GUIDE LEFT SALES DWG molex | DOCUMENT NO. SD-76170-002 | SHEET NO. 1 OF 2 |
| | | ▽=0 | 4 PLACES ± --- ± --- | CHECKED BY DATE TELO 2008/01/29 | THIS DRAWING CONTAINS INFORMATION THAT IS PROPRIETARY TO MOLEX INCORPORATED AND SHOULD NOT BE USED WITHOUT WRITTEN PERMISSION | | | |
| | | ▽=0 | 3 PLACES ± --- ± --- | APPROVED BY DATE JLAURX 2008/01/29 | | | | |
| ▽=0 | 2 PLACES ± 0.13 ± --- | MATERIAL NO. | | | | | | |
| | | | 1 PLACE ± 0.25 ± --- | SIZE C | SEE CHART | | | |
| | | | 0 PLACE ± ± | | | | | |
| | | | ANGULAR ±1/2° | | | | | |
| | | | DRAFT WHERE APPLICABLE MUST REMAIN WITHIN DIMENSIONS | | | | | |

| MATERIAL NUMBER | # OF COLUMNS | # OF DIFF PAIR | DIM 'A' MAX | DIM 'B' | PTH ϕ |
|-----------------|--------------|----------------|-------------|---------|--------------------|
| 76170-***6 | 6 | 18 | 19.00 | 9.50 | 0.46 ± 0.05 |
| 76170-***8 | 8 | 24 | 22.80 | 13.30 | |
| 76170-***0 | 10 | 30 | 26.60 | 17.10 | |
| 76170-***4 | 14 | 42 | 34.20 | 24.70 | |
| 76170-***6 | 16 | 48 | 38.00 | 28.50 | |
| 76170-***6 | 6 | 18 | 19.00 | 9.50 | 0.39 ± 0.05 |
| 76170-***8 | 8 | 24 | 22.80 | 13.30 | |
| 76170-***0 | 10 | 30 | 26.60 | 17.10 | |
| 76170-***4 | 14 | 42 | 34.20 | 24.70 | |
| 76170-***6 | 16 | 48 | 38.00 | 28.50 | |

76170-****

MODULE & TAIL PLATING TYPE
3 = LEFT GUIDED LEAD-FREE

POLARIZATION KEY ORIENTATION
0 = NO KEY
1 = A 5 = E
2 = B 6 = F
3 = C 7 = G
4 = D 8 = H

OF COLUMNS
06 = 6 COL 0.46 PTH
08 = 8 COL 0.46 PTH
10 = 10 COL 0.46 PTH
14 = 14 COL 0.46 PTH
16 = 16 COL 0.46 PTH
20 = 10 COL 0.39 PTH
24 = 14 COL 0.39 PTH
26 = 16 COL 0.39 PTH
36 = 6 COL 0.39 PTH
38 = 8 COL 0.39 PTH

| | | | | | | | |
|--|--|---------------------------------------|---|----------------------|--------------|------------------------|--|
| SEE SHEET 1 EC NO: UCP2016-0079 DRWNB: MILLER 2015/07/07 CHKD: APPR: TELO 2015/07/07 | QUALITY SYMBOLS | GENERAL TOLERANCES (UNLESS SPECIFIED) | DIMENSION STYLE | SCALE | DESIGN UNITS | THIRD ANGLE PROJECTION | |
| | $\nabla = 0$ | mm INCH | MM ONLY | 4:1 | METRIC | | |
| | $\nabla = 0$ | 4 PLACES \pm --- | DRAWN BY | TITLE | | | |
| | $\nabla = 0$ | 3 PLACES \pm --- | DATE | IMPACT 100 OHM DC | | | |
| | $\nabla = 0$ | 2 PLACES ± 0.13 | JLAURX 2008/01/29 | 3 PAIR SIGNAL MODULE | | | |
| | 1 PLACE ± 0.25 | CHECKED BY | GUIDE LEFT SALES DWG | | | | |
| | 0 PLACE \pm | TELO 2008/01/29 | molex | | | | |
| | ANGULAR $\pm 1/2^\circ$ | APPROVED BY | | | | | |
| | DRAFT WHERE APPLICABLE MUST REMAIN WITHIN DIMENSIONS | JLAURX 2008/01/29 | MATERIAL NO. | DOCUMENT NO. | SHEET NO. | | |
| | | | SEE CHART | SD-76170-002 | 2 OF 2 | | |
| | | | THIS DRAWING CONTAINS INFORMATION THAT IS PROPRIETARY TO MOLEX INCORPORATED AND SHOULD NOT BE USED WITHOUT WRITTEN PERMISSION | | | | |