



Chipsmall Limited consists of a professional team with an average of over 10 year of expertise in the distribution of electronic components. Based in Hongkong, we have already established firm and mutual-benefit business relationships with customers from,Europe,America and south Asia,supplying obsolete and hard-to-find components to meet their specific needs.

With the principle of “Quality Parts,Customers Priority,Honest Operation,and Considerate Service”,our business mainly focus on the distribution of electronic components. Line cards we deal with include Microchip,ALPS,ROHM,Xilinx,Pulse,ON,Everlight and Freescale. Main products comprise IC,Modules,Potentiometer,IC Socket,Relay,Connector.Our parts cover such applications as commercial,industrial, and automotives areas.

We are looking forward to setting up business relationship with you and hope to provide you with the best service and solution. Let us make a better world for our industry!



Contact us

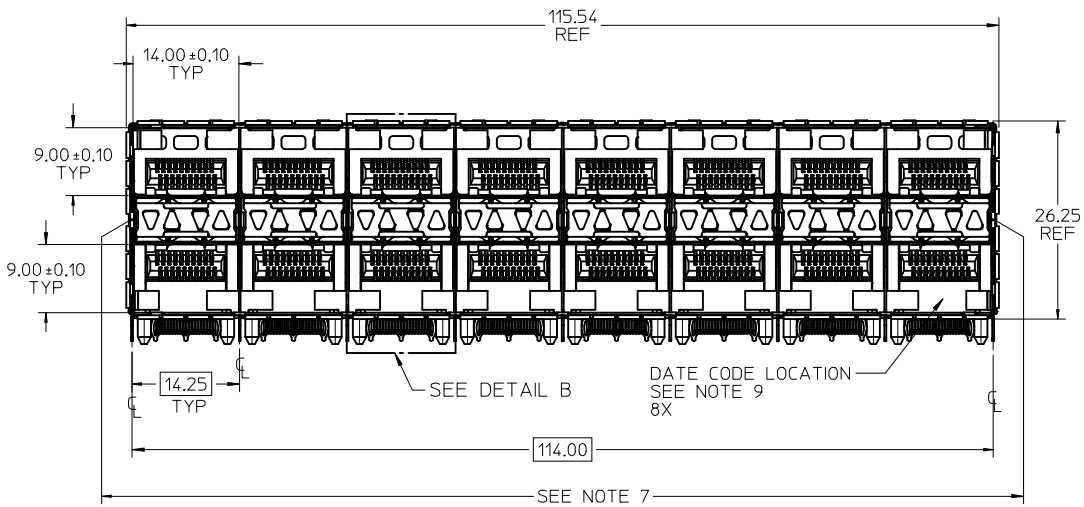
Tel: +86-755-8981 8866 Fax: +86-755-8427 6832

Email & Skype: info@chipsmall.com Web: www.chipsmall.com

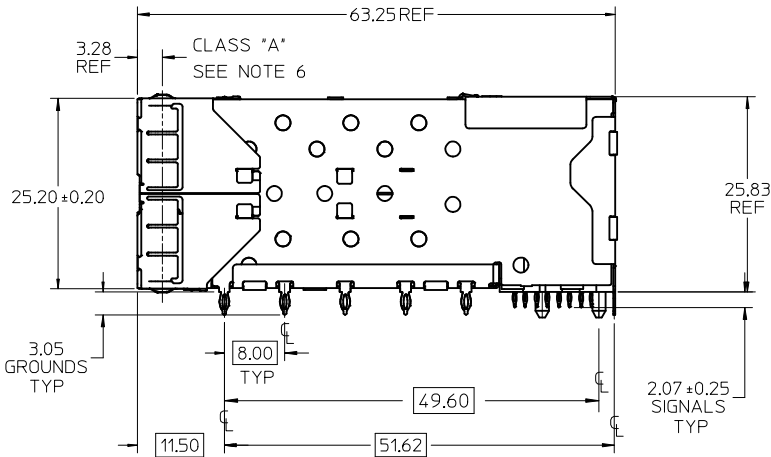
Address: A1208, Overseas Decoration Building, #122 Zhenhua RD., Futian, Shenzhen, China



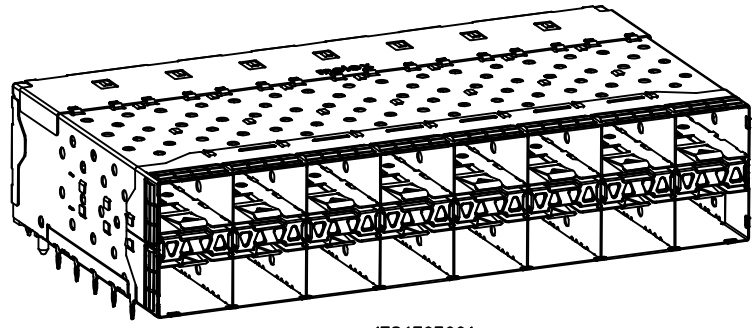
PART NUMBER	DESCRIPTION	VIEW	COMPLIANT TAIL PLATING
1726705001	4 LIGHT PORTS	SEE PG 2	MATTE TIN
	INNER 2 PORTS	SEE PG 2	MATTE TIN
	OUTER 2 PORTS	SEE PG 2	MATTE TIN



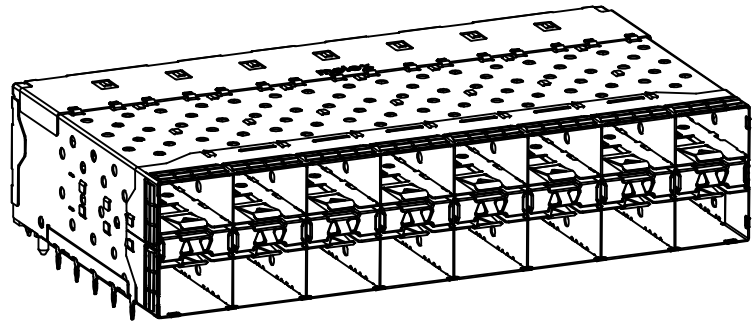
- NOTES**
- MATERIAL:**
 CAGE: NICKEL SILVER, THICKNESS: 0.25mm
 CONNECTOR HOUSING: GLASS FILLED LIQUID CRYSTAL POLYMER (LCP), UL 94V-0, COLOR: BLACK
 OVERMOLD TERMINAL HOUSING: GLASS FILLED LIQUID CRYSTAL POLYMER (LCP), UL 94V-0, COLOR: BLACK
 TERMINALS: TIN BRASS
 EMI GASKET: PH05-BRONZE
 LIGHTPIPE HOUSING: ZINC
 LIGHTPIPES: POLYCARBONATE, COLOR: CLEAR
 - FINISHES:**
 TERMINALS: CONTACT AREA: 0.76 MICROMETERS MINIMUM HARD GOLD OVER 1.27 MICROMETERS MINIMUM NICKEL.
 COMPLIANT TAIL - MATTE TIN/LEAD OPTION: 0.76 TO 1.52 MICROMETERS 90/10 MATTE TIN-LEAD OVER 0.76 MICROMETERS MINIMUM NICKEL.
 COMPLIANT TAIL - MATTE TIN OPTION: 0.76 TO 1.52 MICROMETERS MATTE TIN OVER 0.76 MICROMETERS MINIMUM NICKEL.
 LIGHTPIPE HOUSING: 80 MICROMETERS MINIMUM NICKEL OVER COPPER
 EMI GASKET: 2.54 MICROMETERS MINIMUM NICKEL OVERALL
 - REFER TO PS-75310-001 PRODUCT SPEC FOR ALL ELECTRICAL, MECHANICAL AND ENVIRONMENTAL SPECIFICATIONS.
 - LIGHTPIPE PAD LAYOUT IS FOR 0805 LOW-PROFILE LED PACKAGE, FOR OTHER RECOMMENDED LAYOUTS REFER TO MOLEX'S REPORT TS-75310-001.
 - REFER TO PK-76352-001 FOR ALL PACKAGING SPECIFICATIONS.
 - ALL EXTERIOR SURFACES TO BE CLASS "B" SURFACE EXCEPT THE UNDER SIDE OF THE CAGE WHERE THE PCB WOULD BE LOCATED AND AS NOTED. THE SURFACES TO CONFORM TO THE MOLEX COSMETIC DOC PS-45499-002.
 - THE OVERALL CAGE WIDTH AT THE VERTICAL CENTER OF THE FRONT EDGE WILL FALL WITHIN THIS DIMENSION: 114.80 ± 0.30 MM. THIS PORTION OF THE CAGE WILL FLEX INWARD AS THE CAGE IS BEING INSERTED INTO THE BEZEL OPENING.
 - REFER TO AS-76090-001 FOR HIGH SPEED ROUTING RECOMMENDATIONS.
 - DATE CODE LOCATION IS SHOWN ABOVE.
 DATE CODE FORMAT: DDDY MX A1
 DDD = DAY OF THE YEAR
 Y = YEAR
 MX = MOLEX
 A = ALPHA CHARACTER - INDICATES MANUFACTURING LINE
 1 = NUMERIC CHARACTER - INDICATES PRODUCTION SHIFT



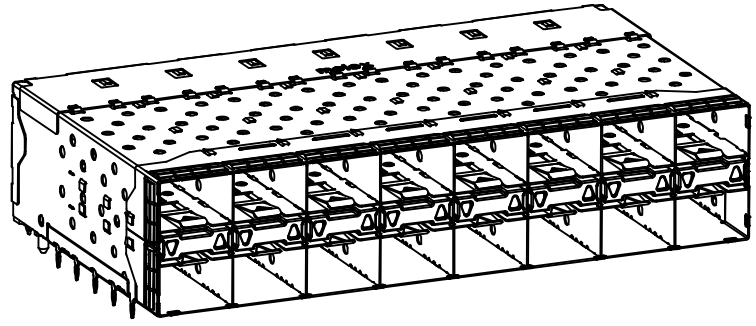
INITIAL RELEASE EC NO: UCP2014-4484 DRW:RWHIPPLE 2014/04/28 CHKD:BBARKER 2014/04/28 APPR:SMILLER 2014/08/04	QUALITY SYMBOLS ▽=0 ▽=0 ▽=0	GENERAL TOLERANCES (UNLESS SPECIFIED)		DIMENSION STYLE MM ONLY		SCALE 2:1	DESIGN UNITS METRIC	THIRD ANGLE PROJECTION			
		4 PLACES ± --- ± ---	mm INCH	DRAWN BY RWHIPPLE	DATE 2014/04/28	TITLE STACKED SFP 2X8 ASS'Y WITH METAL EMI GASKET AND LIGHTPIPES					
		3 PLACES ± --- ± ---	2 PLACES ± 0.13 ± ---	CHECKED BY	DATE	MATERIAL NO. SEE TABLE					
		1 PLACE ± 0.25 ± ---	0 PLACE ± ±	APPROVED BY SMILLER	DATE 2014/08/04	DOCUMENT NO. RSD-172670-0001					
ANGLULAR ± 5 °		DRAFT WHERE APPLICABLE MUST REMAIN WITHIN DIMENSIONS		SIZE C	THIS DRAWING CONTAINS INFORMATION THAT IS PROPRIETARY TO MOLEX INCORPORATED AND SHOULD NOT BE USED WITHOUT WRITTEN PERMISSION						



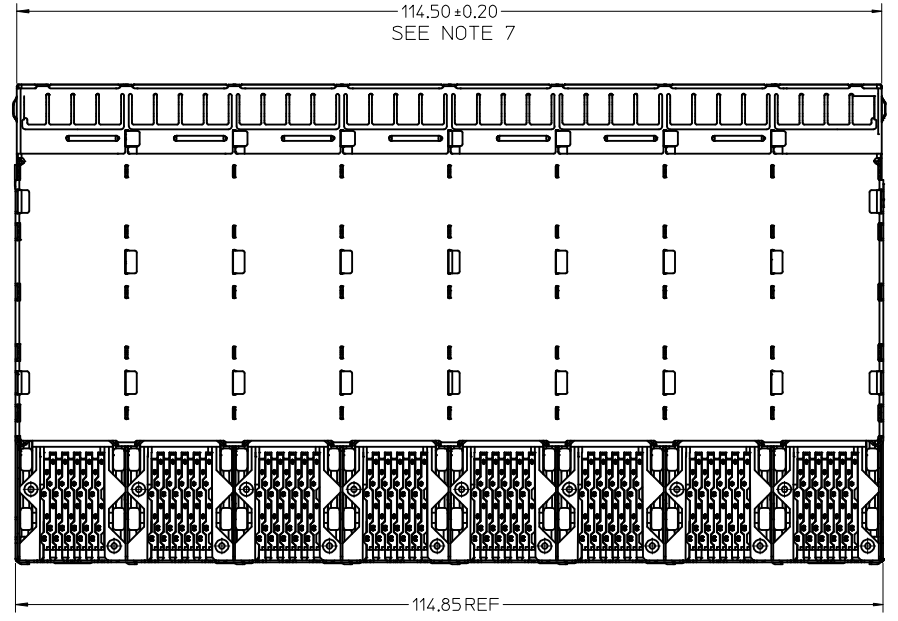
1726705001
WITH INNER & OUTER LIGHTPIPE PORTS



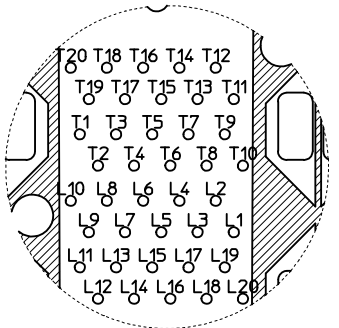
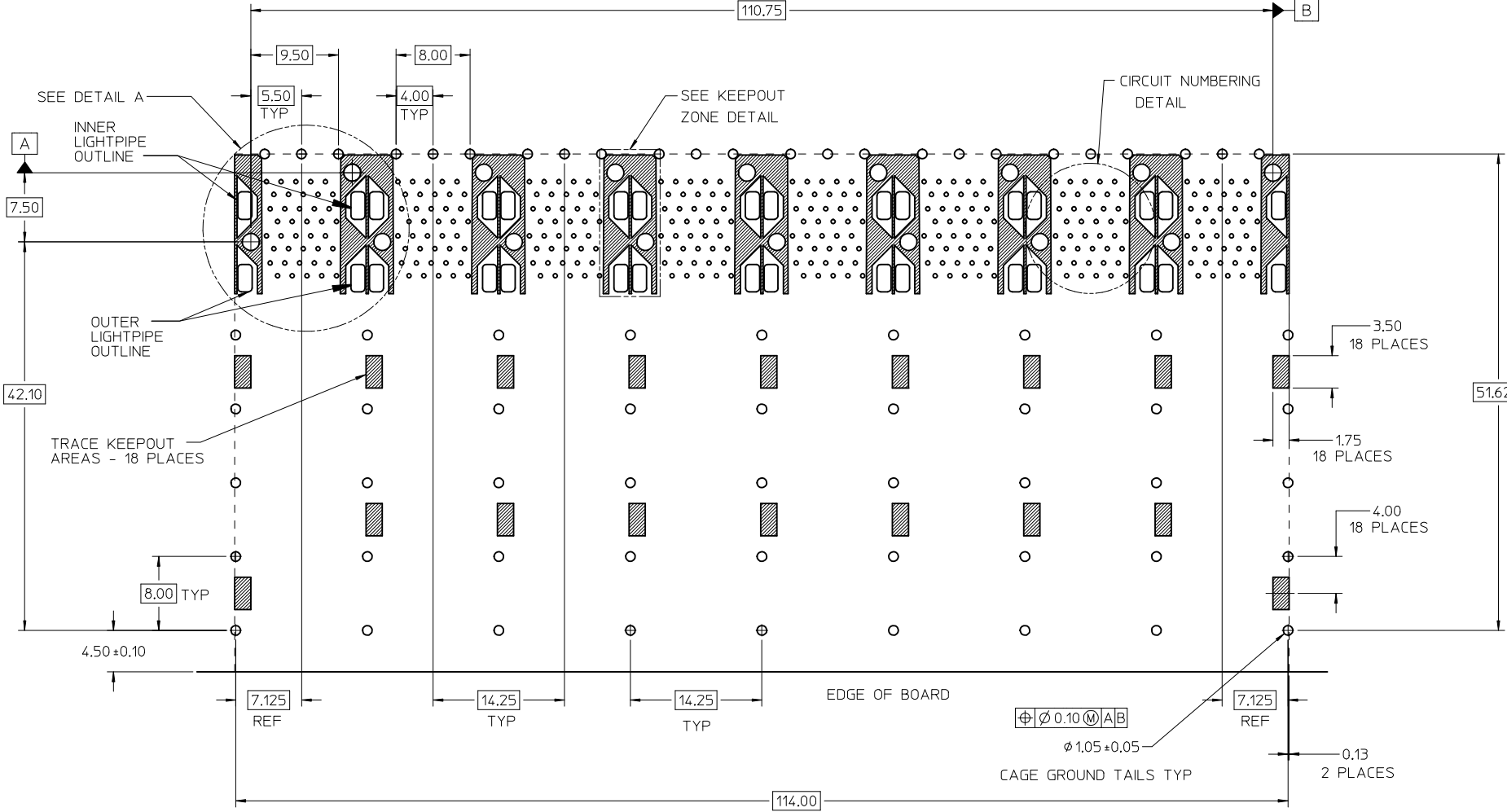
WITH INNER LIGHTPIPE PORTS



WITH OUTER LIGHTPIPE PORTS



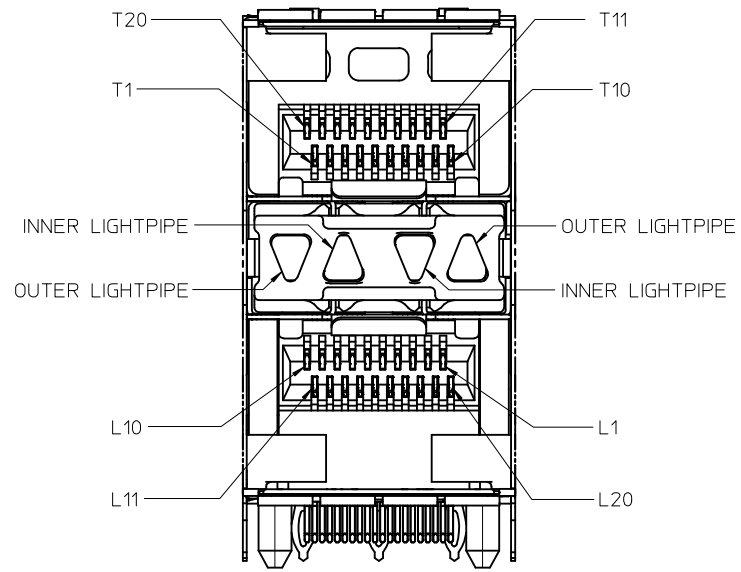
SEE SHEET 1 EC NO: UCP2014-4484 DRWN:RWHIPPLE 2014/04/28 CHKD:BBARKER 2014/04/28 APPR:SMILLER 2014/08/04	QUALITY SYMBOLS	GENERAL TOLERANCES (UNLESS SPECIFIED)	DIMENSION STYLE MM ONLY	SCALE 2:1	DESIGN UNITS METRIC	THIRD ANGLE PROJECTION
	▽=0	mm INCH	DRAWN BY DATE RWHIPPLE 2014/04/28	TITLE	STACKED SFP 2X8 ASS'Y WITH METAL EMI GASKET AND LIGHTPIPES molex	
	▽=0	4 PLACES ± --- ± ---	CHECKED BY DATE	APPROVED BY DATE SMILLER 2014/08/04		
	▽=0	3 PLACES ± --- ± ---	2 PLACES ± 0.13 ± ---	MATERIAL NO.	DOCUMENT NO.	SHEET NO.
	2 PLACES ± 0.25 ± ---	1 PLACE ± 0.25 ± ---	SEE SHEET 1	RSD-172670-0001	2 OF 5	
	0 PLACE ± ±	ANGULAR ± 5 °	DRAFT WHERE APPLICABLE MUST REMAIN WITHIN DIMENSIONS			THIS DRAWING CONTAINS INFORMATION THAT IS PROPRIETARY TO MOLEX INCORPORATED AND SHOULD NOT BE USED WITHOUT WRITTEN PERMISSION



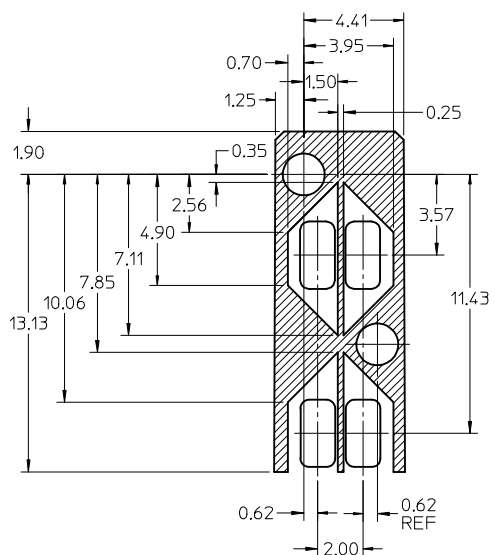
CIRCUIT NUMBERING
COMPONENT SIDE OF BOARD

RECOMMENDED PCB LAYOUT - COMPONENT SIDE
 RECOMMENDED PCB THICKNESS - 2.63 MM (.093 INCH)
 THE ENTIRE AREA OF THE CONNECTOR FOOTPRINT
 TO BE CONSIDERED THE KEEP OUT AREA FOR COMPONENTS
 (OTHER THAN LIGHTPIPE LED'S)
 THIS AREA IS INDICATED BY THE DASHED LINE

SEE SHEET 1 EC NO: UCP2014-4484 DRWN:RWHIPPLE 2014/04/28 CHKD:BBARKER 2014/04/28 APPR:SMILLER 2014/08/04 REV: A	QUALITY SYMBOLS	GENERAL TOLERANCES (UNLESS SPECIFIED)	DIMENSION STYLE MM ONLY	SCALE 3:1	DESIGN UNITS METRIC	THIRD ANGLE PROJECTION
	▽=0	4 PLACES ± --- ± ---	m/m INCH	DRAWN BY RWHIPPLE	DATE 2014/04/28	TITLE STACKED SFP 2X8 ASS'Y WITH METAL EMI GASKET AND LIGHTPIPES
	▽=0	3 PLACES ± --- ± ---		CHECKED BY	DATE	molex DOCUMENT NO. RSD-172670-0001 SHEET NO. 3 OF 5
	▽=0	2 PLACES ± 0.13 ± ---		APPROVED BY SMILLER	DATE 2014/08/04	
		1 PLACE ± 0.25 ± ---		MATERIAL NO.		SEE SHEET 1
		0 PLACE ± ±		ANGULAR ± 5 °		THIS DRAWING CONTAINS INFORMATION THAT IS PROPRIETARY TO MOLEX INCORPORATED AND SHOULD NOT BE USED WITHOUT WRITTEN PERMISSION

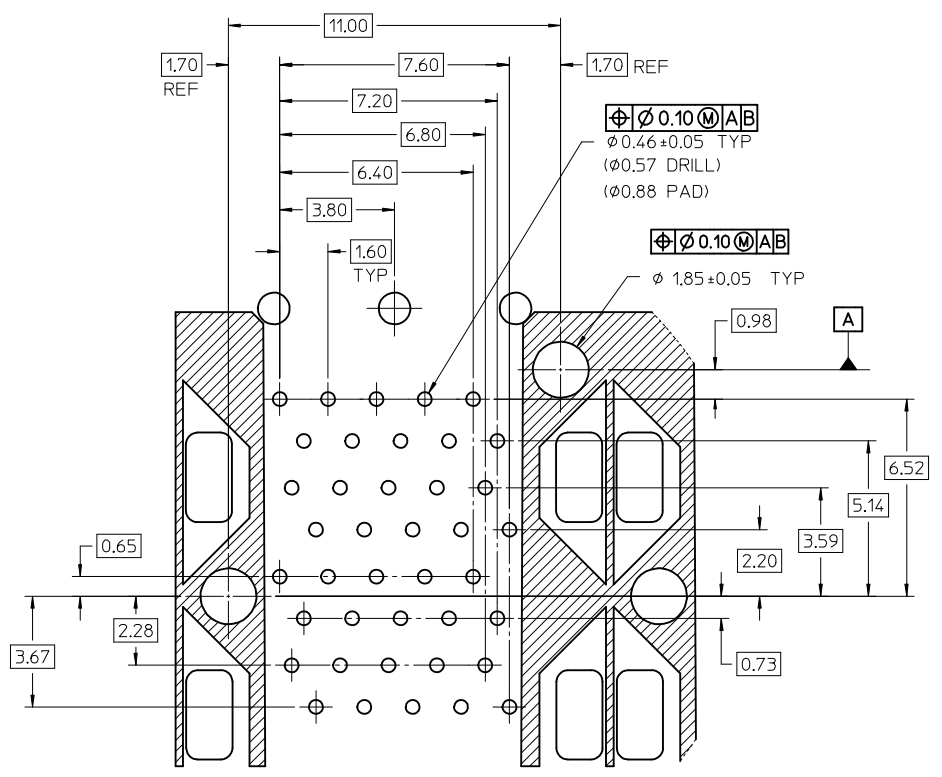


DETAIL B
SCALE 5:1
CIRCUIT NUMBERING
AND LIGHTPIPE
IDENTIFICATION



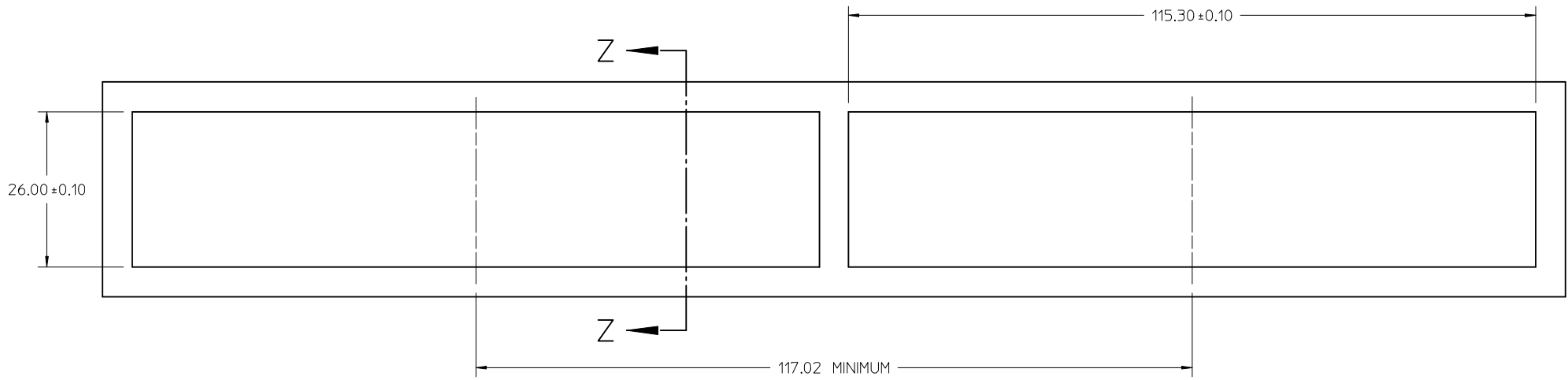
KEEP OUT ZONE DETAIL - LIGHTPIPE AND OTHER ZONES

THE HATCHED AREA IN THIS VIEW INDICATES ZONES THAT ARE OCCUPIED BY THE PLASTIC HOUSING THAT SEATS AGAINST THE PCB AND BY THE VERTICAL METAL CAGE WALL THAT STOPS JUST SHORT OF THE PCB

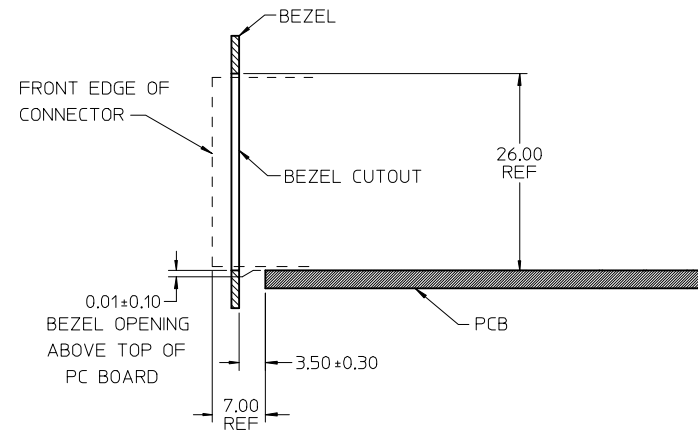


DETAIL A
SCALE 8:1

SEE SHEET 1 EC NO: UCP2014-4484 DRAWN BY: RWHIPPLE CHKD BY: BARKER APPR: MILLER	DESCRIPTION 2014/04/28 2014/04/28 2014/08/04	QUALITY SYMBOLS	GENERAL TOLERANCES (UNLESS SPECIFIED)	DIMENSION STYLE MM ONLY	SCALE 2:1	DESIGN UNITS METRIC	THIRD ANGLE PROJECTION										
		<ul style="list-style-type: none"> 4 PLACES ± --- ± --- 3 PLACES ± --- ± --- 2 PLACES ± 0.13 ± --- 1 PLACE ± 0.25 ± --- 0 PLACE ± ± 	<table border="1"> <thead> <tr> <th>mm</th> <th>INCH</th> </tr> </thead> <tbody> <tr> <td>± 0.13</td> <td>± 0.005</td> </tr> <tr> <td>± 0.25</td> <td>± 0.010</td> </tr> <tr> <td>± 0.50</td> <td>± 0.020</td> </tr> <tr> <td>± 1.00</td> <td>± 0.040</td> </tr> </tbody> </table>	mm	INCH	± 0.13	± 0.005	± 0.25	± 0.010	± 0.50	± 0.020	± 1.00	± 0.040	DRAWN BY: RWHIPPLE DATE: 2014/04/28	CHECKED BY: SMILLER DATE: 2014/08/04	TITLE STACKED SFP 2X8 ASS'Y WITH METAL EMI GASKET AND LIGHTPIPES	APPROVED BY: SMILLER DATE: 2014/08/04
mm	INCH																
± 0.13	± 0.005																
± 0.25	± 0.010																
± 0.50	± 0.020																
± 1.00	± 0.040																
A	REV	ANGULAR ± 5 °	DRAFT WHERE APPLICABLE MUST REMAIN WITHIN DIMENSIONS	SIZE C	THIS DRAWING CONTAINS INFORMATION THAT IS PROPRIETARY TO MOLEX INCORPORATED AND SHOULD NOT BE USED WITHOUT WRITTEN PERMISSION												



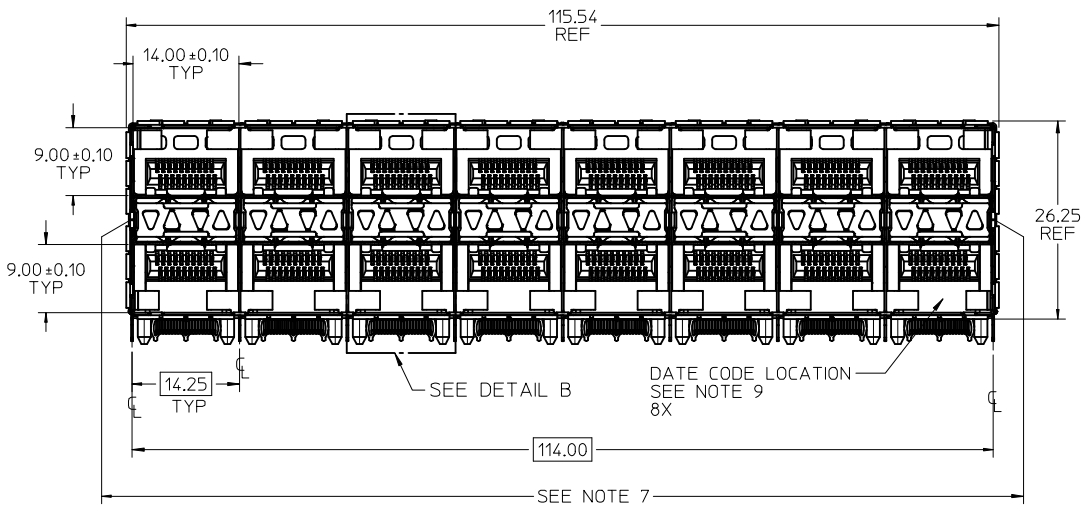
BEZEL CUT-OUT DETAIL
RECOMMENDED BEZEL THICKNESS: 0.8MM - 2.6MM



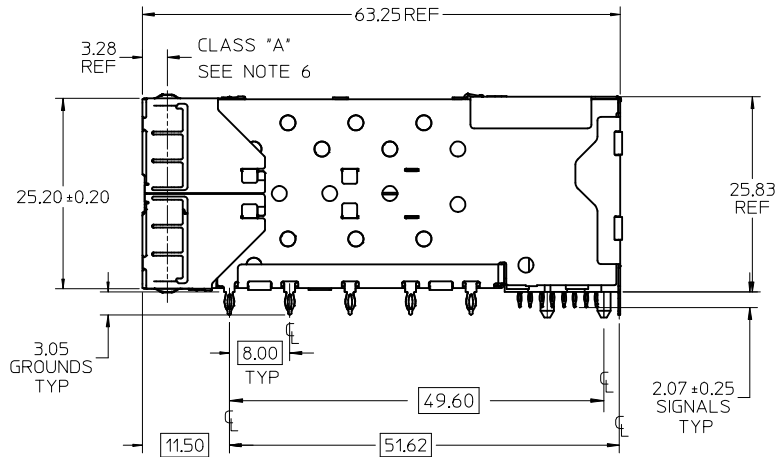
SECTION Z-Z

SEE SHEET 1 EC NO: UCP2014-4484 DRAWN BY: RWHIPPLE 2014/04/28 CHKD: BBARKER 2014/04/28 APPR: SMILLER 2014/08/04	QUALITY SYMBOLS	GENERAL TOLERANCES (UNLESS SPECIFIED)	DIMENSION STYLE	SCALE	DESIGN UNITS	THIRD ANGLE PROJECTION
	▽=0	mm INCH	MM ONLY	2:1	METRIC	
	▽=0	4 PLACES ± --- ± ---	DRAWN BY DATE	TITLE		
	▽=0	3 PLACES ± --- ± ---	RWHIPPLE 2014/04/28	STACKED SFP 2X8 ASS'Y WITH METAL EMI GASKET AND LIGHTPIPES		
	2 PLACES ± 0.13 ± ---	CHECKED BY DATE	molex			
	1 PLACE ± 0.25 ± ---	APPROVED BY DATE	DOCUMENT NO.			
	0 PLACE ± ±	SMILLER 2014/08/04	RSD-172670-0001			
	ANGULAR ± 5 °	MATERIAL NO.	SHEET NO.			
	DRAFT WHERE APPLICABLE MUST REMAIN WITHIN DIMENSIONS	SEE SHEET 1	5 OF 5			
		SIZE C	THIS DRAWING CONTAINS INFORMATION THAT IS PROPRIETARY TO MOLEX INCORPORATED AND SHOULD NOT BE USED WITHOUT WRITTEN PERMISSION			

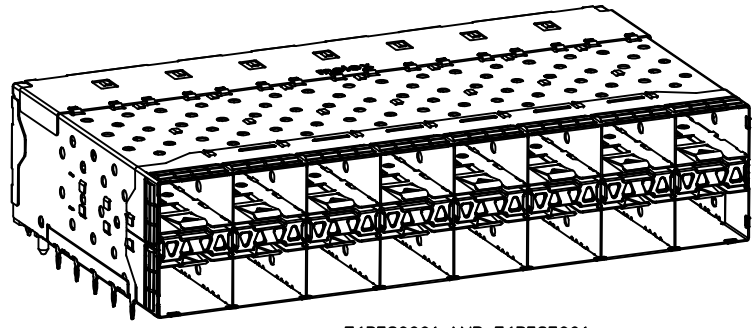
PART NUMBER	DESCRIPTION	VIEW	COMPLIANT TAIL PLATING
763520001	4 LIGHT PORTS	SEE PG 2	MATTE TIN / LEAD
763520002	INNER 2 PORTS	SEE PG 2	MATTE TIN / LEAD
763520003	OUTER 2 PORTS	SEE PG 2	MATTE TIN / LEAD
763525001	4 LIGHT PORTS	SEE PG 2	MATTE TIN
763525002	INNER 2 PORTS	SEE PG 2	MATTE TIN
763525003	OUTER 2 PORTS	SEE PG 2	MATTE TIN



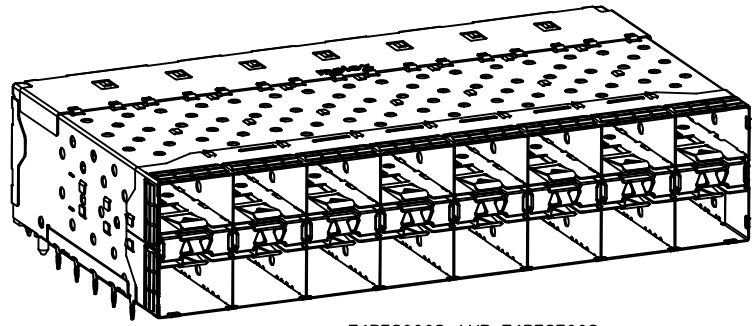
- NOTES**
- MATERIAL:**
 CAGE: NICKEL SILVER, THICKNESS: 0.25mm
 CONNECTOR HOUSING: GLASS FILLED LIQUID CRYSTAL POLYMER (LCP), UL 94V-0, COLOR: BLACK
 OVERMOLD TERMINAL HOUSING: GLASS FILLED LIQUID CRYSTAL POLYMER (LCP), UL 94V-0, COLOR: BLACK
 TERMINALS: TIN BRASS
 EMI GASKET: PH05-BRONZE
 LIGHTPIPE HOUSING: ZINC
 LIGHTPIPES: POLYCARBONATE, COLOR: CLEAR
 - FINISHES:**
 TERMINALS: CONTACT AREA: 0.76 MICROMETERS MINIMUM HARD GOLD OVER 1.27 MICROMETERS MINIMUM NICKEL.
 COMPLIANT TAIL - MATTE TIN/LEAD OPTION: 0.76 TO 1.52 MICROMETERS 90/10 MATTE TIN-LEAD OVER 0.76 MICROMETERS MINIMUM NICKEL.
 COMPLIANT TAIL - MATTE TIN OPTION: 0.76 TO 1.52 MICROMETERS MATTE TIN OVER 0.76 MICROMETERS MINIMUM NICKEL.
 LIGHTPIPE HOUSING: 80 MICROMETERS MINIMUM NICKEL OVER COPPER
 EMI GASKET: 2.54 MICROMETERS MINIMUM NICKEL OVERALL
 - REFER TO PS-75310-001 PRODUCT SPEC FOR ALL ELECTRICAL, MECHANICAL AND ENVIRONMENTAL SPECIFICATIONS.
 - LIGHTPIPE PAD LAYOUT IS FOR 0805 LOW-PROFILE LED PACKAGE, FOR OTHER RECOMMENDED LAYOUTS REFER TO MOLEX'S REPORT TS-75310-001.
 - REFER TO PK-76352-001 FOR ALL PACKAGING SPECIFICATIONS.
 - ALL EXTERIOR SURFACES TO BE CLASS "B" SURFACE EXCEPT THE UNDER SIDE OF THE CAGE WHERE THE PCB WOULD BE LOCATED AND AS NOTED, THE SURFACES TO CONFORM TO THE MOLEX COSMETIC DOC PS-45499-002.
 - THE OVERALL CAGE WIDTH AT THE VERTICAL CENTER OF THE FRONT EDGE WILL FALL WITHIN THIS DIMENSION: 114.80 ± 0.30 MM. THIS PORTION OF THE CAGE WILL FLEX INWARD AS THE CAGE IS BEING INSERTED INTO THE BEZEL OPENING.
 - REFER TO AS-76090-001 FOR HIGH SPEED ROUTING RECOMMENDATIONS.
 - DATE CODE LOCATION IS SHOWN ABOVE.
 DATE CODE FORMAT: DDDY MX A1
 DDD = DAY OF THE YEAR
 Y = YEAR
 MX = MOLEX
 A = ALPHA CHARACTER - INDICATES MANUFACTURING LINE
 1 = NUMERIC CHARACTER - INDICATES PRODUCTION SHIFT



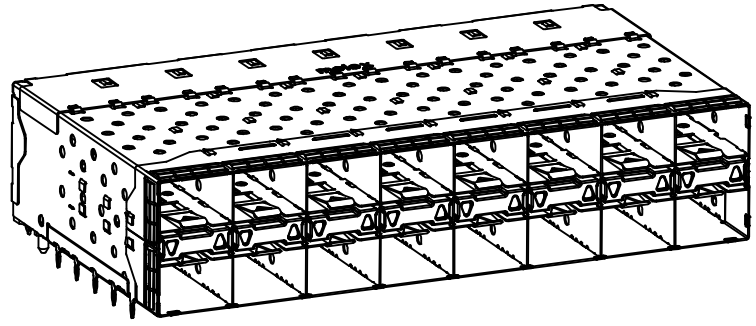
CORRECT NOTES 1 & 2 EC NO: UCP2013-3751 DRWNR: WHIPPLE 2013/03/05 CHKD: BARKER 2013/03/05 APPR: SMILLER 2013/03/18	QUALITY SYMBOLS	GENERAL TOLERANCES (UNLESS SPECIFIED)	DIMENSION STYLE MM ONLY	SCALE 2:1	DESIGN UNITS METRIC	THIRD ANGLE PROJECTION
	▽ = 0	mm INCH	DRAWN BY DATE	TITLE	STACKED SFP+ 2X8 ASS'Y WITH METAL EMI GASKET AND LIGHTPIPES 	
	▽ = 0	4 PLACES ± --- ± ---	JLONG 06-07-2007	CHECKED BY DATE		
	▽ = 0	3 PLACES ± --- ± ---	JLONG 06-07-2007	APPROVED BY DATE		
	2 PLACES ± 0.13 ± ---	MBANAKIS 06-15-2007	MATERIAL NO.			
	1 PLACE ± 0.25 ± ---	ANGULAR ± 5 °	SEE TABLE	DOCUMENT NO.	SD-76352-001	
	0 PLACE ± ±	DRAFT WHERE APPLICABLE MUST REMAIN WITHIN DIMENSIONS	SIZE	THIS DRAWING CONTAINS INFORMATION THAT IS PROPRIETARY TO MOLEX INCORPORATED AND SHOULD NOT BE USED WITHOUT WRITTEN PERMISSION		



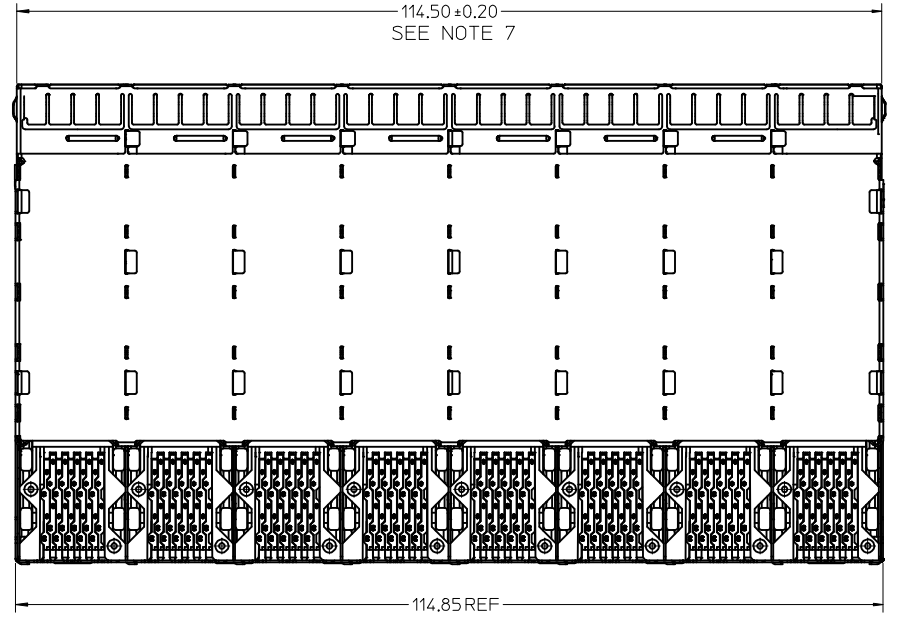
763520001 AND 763525001
WITH INNER & OUTER LIGHTPIPE PORTS



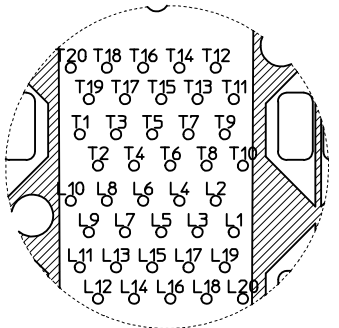
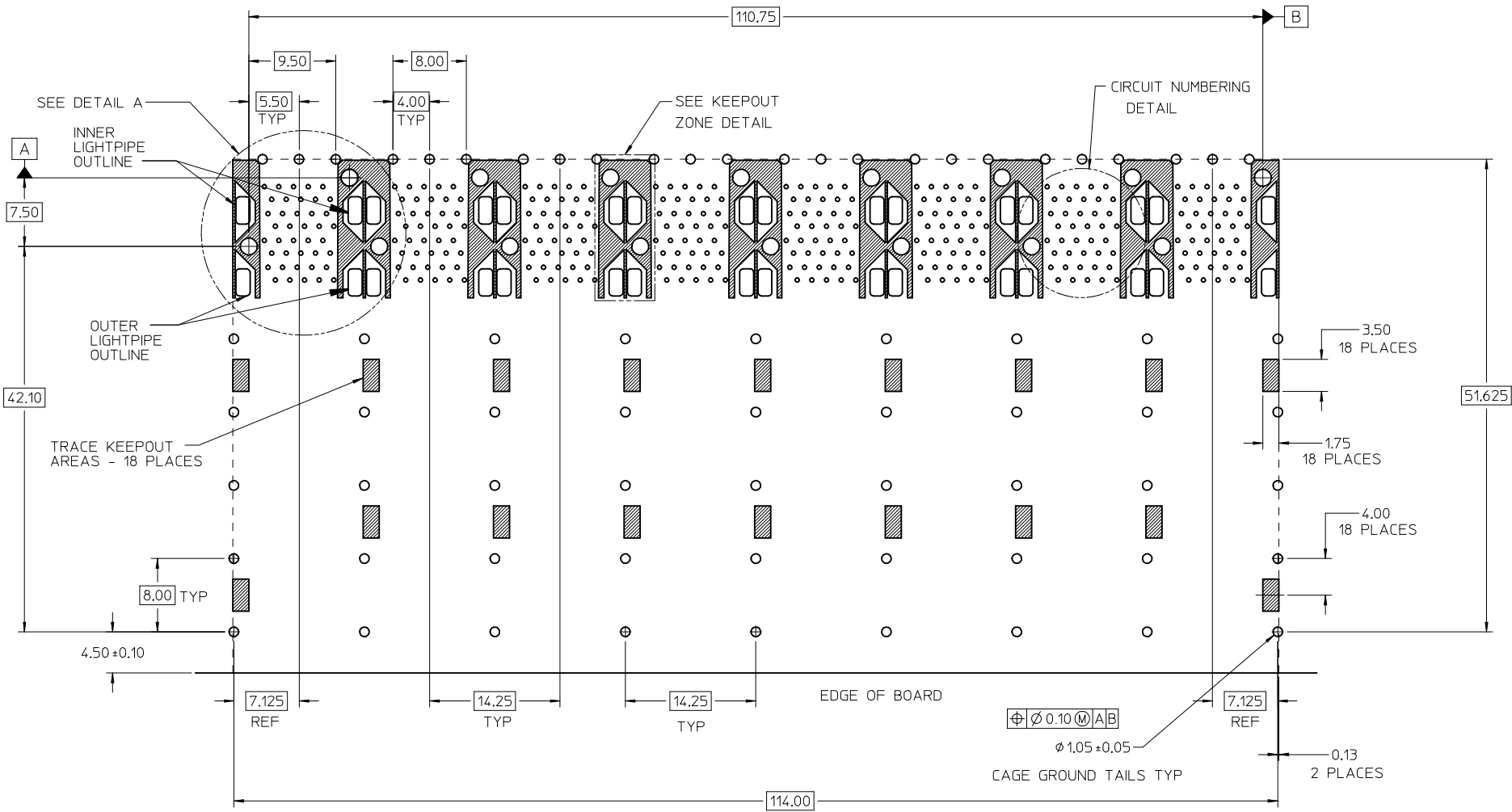
763520002 AND 763525002
WITH INNER LIGHTPIPE PORTS



763520003 AND 763525003
WITH OUTER LIGHTPIPE PORTS



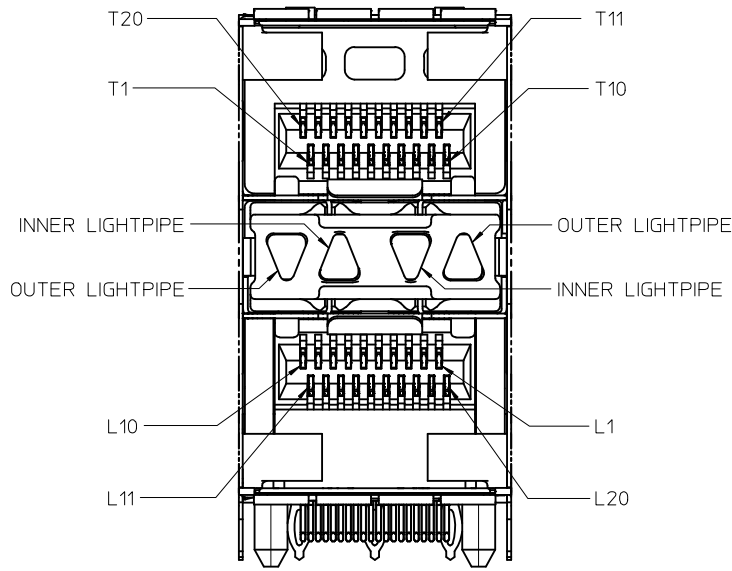
SEE SHEET 1 EC NO: UCP2013-3751 TDR:WHP/2013/03/05 CHKD:BBK/2013/03/05 APPR:SM/2013/03/18	QUALITY SYMBOLS	GENERAL TOLERANCES (UNLESS SPECIFIED)		DIMENSION STYLE MM ONLY		SCALE 2:1	DESIGN UNITS METRIC	THIRD ANGLE PROJECTION	
	▽=0	mm	INCH	DRAWN BY JLONG	DATE 06-07-2007	TITLE STACKED SFP+ 2X8 ASS'Y WITH METAL EMI GASKET AND LIGHTPIPES			
	▽=0	4 PLACES ± ---	± ---	CHECKED BY JLONG	DATE 06-07-2007	molex DOCUMENT NO. SD-76352-001 SHEET NO. 2 OF 5			
	▽=0	3 PLACES ± ---	± ---	APPROVED BY MBANAKIS	DATE 06-15-2007				
		2 PLACES ± 0.13	± ---	MATERIAL NO.		SIZE C THIS DRAWING CONTAINS INFORMATION THAT IS PROPRIETARY TO MOLEX INCORPORATED AND SHOULD NOT BE USED WITHOUT WRITTEN PERMISSION			
		1 PLACE ± 0.25	± ---	DRAFT WHERE APPLICABLE MUST REMAIN WITHIN DIMENSIONS					
		0 PLACE ±	±						



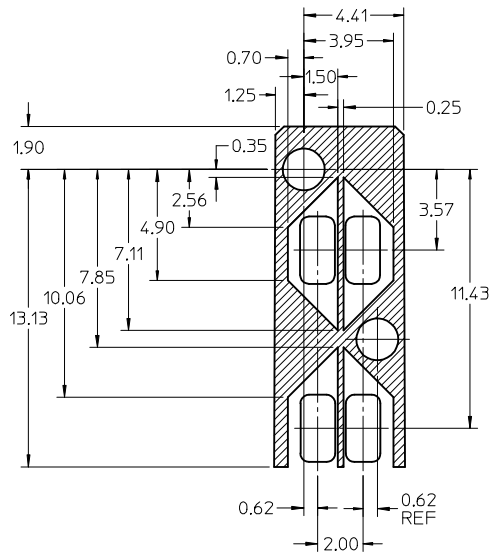
CIRCUIT NUMBERING
COMPONENT SIDE OF BOARD

RECOMMENDED PCB LAYOUT - COMPONENT SIDE
 RECOMMENDED PCB THICKNESS - 2.63 MM (.093 INCH)
 THE ENTIRE AREA OF THE CONNECTOR FOOTPRINT
 TO BE CONSIDERED THE KEEP OUT AREA FOR COMPONENTS
 (OTHER THAN LIGHTPIPE LED'S)
 THIS AREA IS INDICATED BY THE DASHED LINE

SEE SHEET 1 EC NO: UCP2013-3751 TDRWNRWHIPPLE 2013/03/05 CHKD:BBARKER 2013/03/05 APPR:SMILLER 2013/03/18	QUALITY SYMBOLS ▽=0 ▽=0 ▽=0	GENERAL TOLERANCES (UNLESS SPECIFIED)		DIMENSION STYLE MM ONLY		SCALE 3:1	DESIGN UNITS METRIC	THIRD ANGLE PROJECTION	
		4 PLACES ± --- ± --- 3 PLACES ± --- ± --- 2 PLACES ± 0.13 ± --- 1 PLACE ± 0.25 ± --- 0 PLACE ± ±	m/m INCH ± --- ± --- ± 0.13 ± --- ± 0.25 ± --- ± ±	DRAWN BY JLONG	DATE 06-07-2007	CHECKED BY JLONG	DATE 06-07-2007	TITLE STACKED SFP+ 2X8 ASS'Y WITH METAL EMI GASKET AND LIGHTPIPES	
		ANGULAR ± 5 °		APPROVED BY MBANAKIS		DATE 06-15-2007		MATERIAL NO. SEE SHEET 1	
DRAFT WHERE APPLICABLE MUST REMAIN WITHIN DIMENSIONS				SIZE C		DOCUMENT NO. SD-76352-001			
						SHEET NO. 3 OF 5			
THIS DRAWING CONTAINS INFORMATION THAT IS PROPRIETARY TO MOLEX INCORPORATED AND SHOULD NOT BE USED WITHOUT WRITTEN PERMISSION									

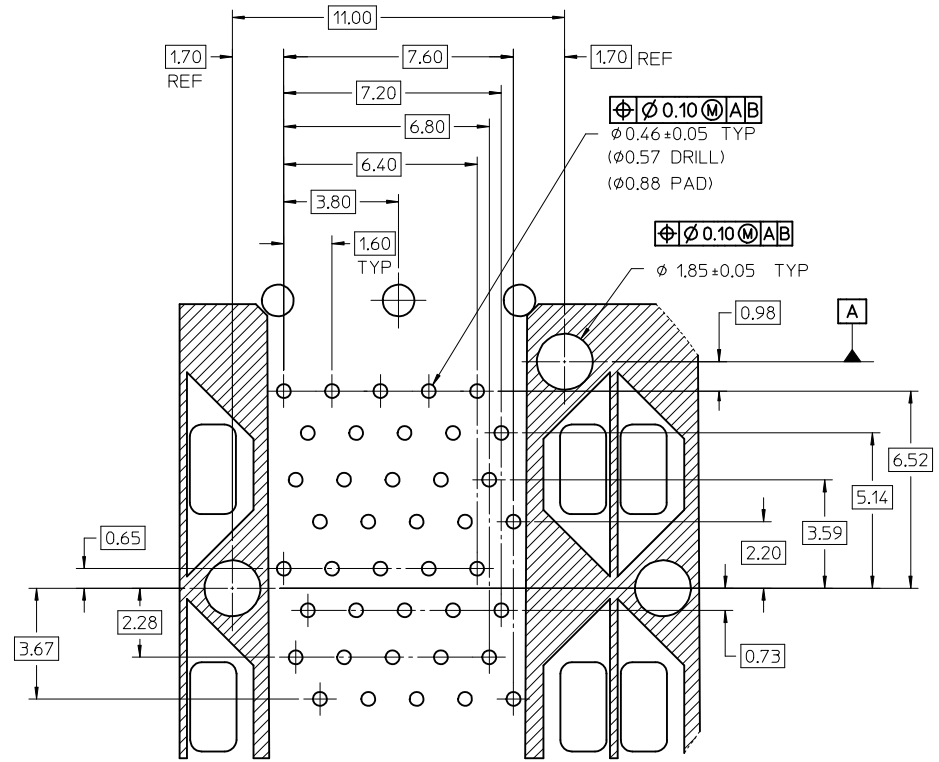


DETAIL B
SCALE 5:1
CIRCUIT NUMBERING
AND LIGHTPIPE
IDENTIFICATION



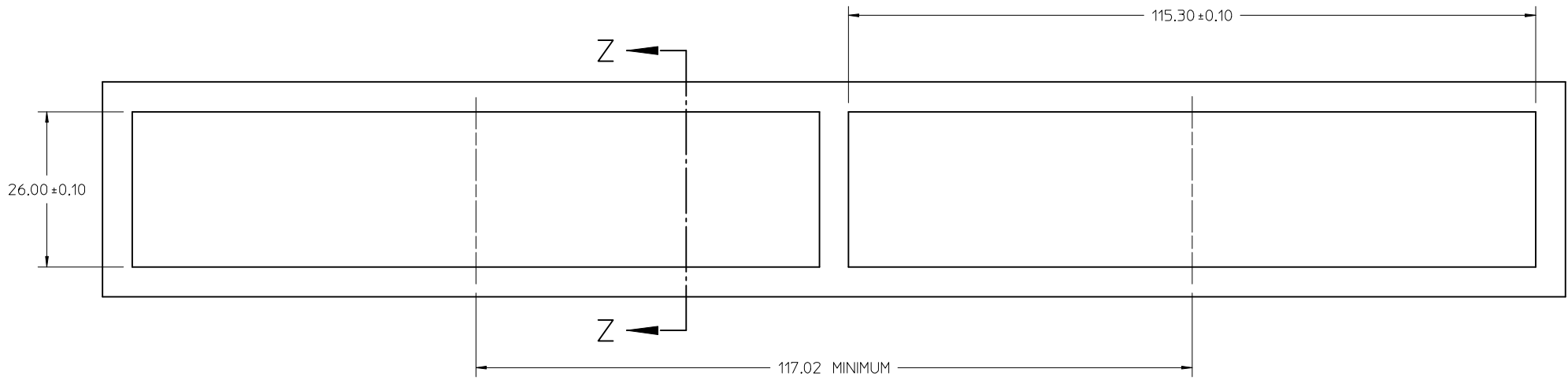
KEEP OUT ZONE DETAIL - LIGHTPIPE AND OTHER ZONES

THE HATCHED AREA IN THIS VIEW INDICATES ZONES THAT ARE OCCUPIED BY THE PLASTIC HOUSING THAT SEATS AGAINST THE PCB AND BY THE VERTICAL METAL CAGE WALL THAT STOPS JUST SHORT OF THE PCB

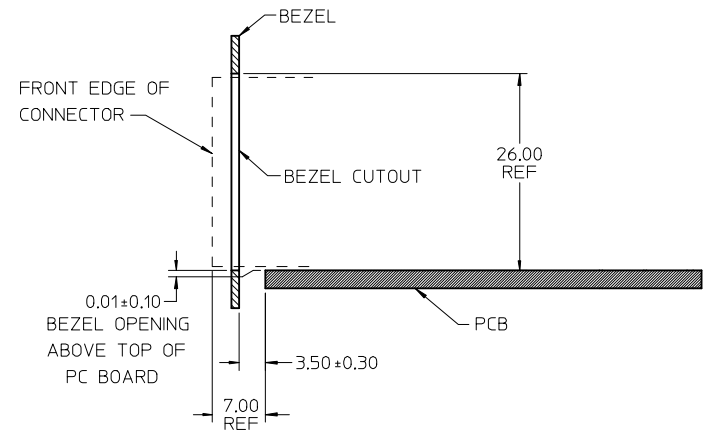


DETAIL A
SCALE 8:1

SEE SHEET 1 EC NO: UCP2013-3751 TDRW:RWHIPPLE 2013/03/05 CHKD:BBARKER 2013/03/05 APPR:SMILLER 2013/03/18	DESCRIPTION QUALITY SYMBOLS ▽=0 ▽=0 ▽=0	GENERAL TOLERANCES (UNLESS SPECIFIED)		DIMENSION STYLE MM ONLY	SCALE 2:1	DESIGN UNITS METRIC	THIRD ANGLE PROJECTION	
		4 PLACES ± --- ± ---	3 PLACES ± --- ± ---	DRAWN BY JLONG	DATE 06-07-2007	TITLE STACKED SFP+ 2X8 ASS'Y WITH METAL EMI GASKET AND LIGHTPIPES		
		2 PLACES ± 0.13 ± ---	1 PLACE ± 0.25 ± ---	CHECKED BY JLONG	DATE 06-07-2007	molex		
		0 PLACE ± ±	APPROVED BY MBANAKIS		DATE 06-15-2007			
ANGULAR ± 5 °		MATERIAL NO.		DOCUMENT NO.		SHEET NO.		
DRAFT WHERE APPLICABLE MUST REMAIN WITHIN DIMENSIONS		SEE SHEET 1		SD-76352-001		4 OF 5		
THIS DRAWING CONTAINS INFORMATION THAT IS PROPRIETARY TO MOLEX INCORPORATED AND SHOULD NOT BE USED WITHOUT WRITTEN PERMISSION								



BEZEL CUT-OUT DETAIL
RECOMMENDED BEZEL THICKNESS: 0.8MM - 2.6MM



SECTION Z-Z

SEE SHEET 1 EC NO: UCP2013-3751 TDR: WRM/HP/PLE 2013/03/05 CHKD: BBARKER 2013/03/05 APPR: SMILLER 2013/03/18	QUALITY SYMBOLS	GENERAL TOLERANCES (UNLESS SPECIFIED)	DIMENSION STYLE	SCALE	DESIGN UNITS	THIRD ANGLE PROJECTION
	▽=0	mm INCH	MM ONLY	2:1	METRIC	☉
	▽=0	4 PLACES ± --- ± ---	DRAWN BY DATE	JLONG 06-07-2007	TITLE	
	▽=0	3 PLACES ± --- ± ---	CHECKED BY DATE	JLONG 06-07-2007	STACKED SFP+ 2X8 ASS'Y WITH METAL EMI GASKET AND LIGHTPIPES	
	▽=0	1 PLACE ± 0.13 ± ---	APPROVED BY DATE	MBANAK I S 06-15-2007	molex	
REV/	DESCRIPTION	ANGULAR ± 5 °	MATERIAL NO.	DOCUMENT NO.	SHEET NO.	
		DRAFT WHERE APPLICABLE MUST REMAIN WITHIN DIMENSIONS	SEE SHEET 1	SD-76352-001	5 OF 5	
			SIZE C	THIS DRAWING CONTAINS INFORMATION THAT IS PROPRIETARY TO MOLEX INCORPORATED AND SHOULD NOT BE USED WITHOUT WRITTEN PERMISSION		