



Chipsmall Limited consists of a professional team with an average of over 10 year of expertise in the distribution of electronic components. Based in Hongkong, we have already established firm and mutual-benefit business relationships with customers from,Europe,America and south Asia,supplying obsolete and hard-to-find components to meet their specific needs.

With the principle of “Quality Parts,Customers Priority,Honest Operation,and Considerate Service”,our business mainly focus on the distribution of electronic components. Line cards we deal with include Microchip,ALPS,ROHM,Xilinx,Pulse,ON,Everlight and Freescale. Main products comprise IC,Modules,Potentiometer,IC Socket,Relay,Connector.Our parts cover such applications as commercial,industrial, and automotives areas.

We are looking forward to setting up business relationship with you and hope to provide you with the best service and solution. Let us make a better world for our industry!



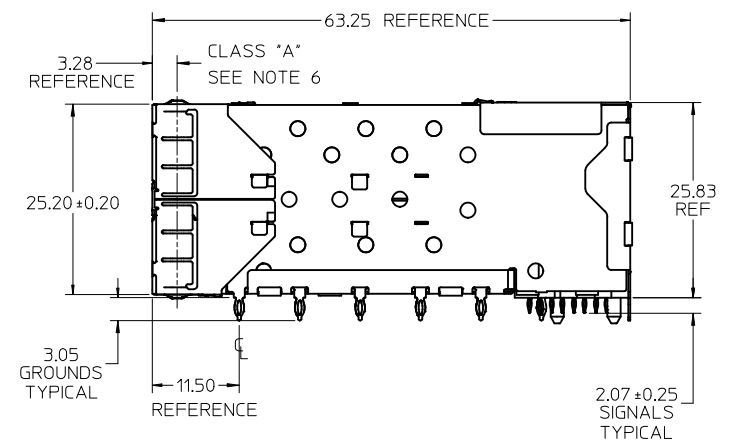
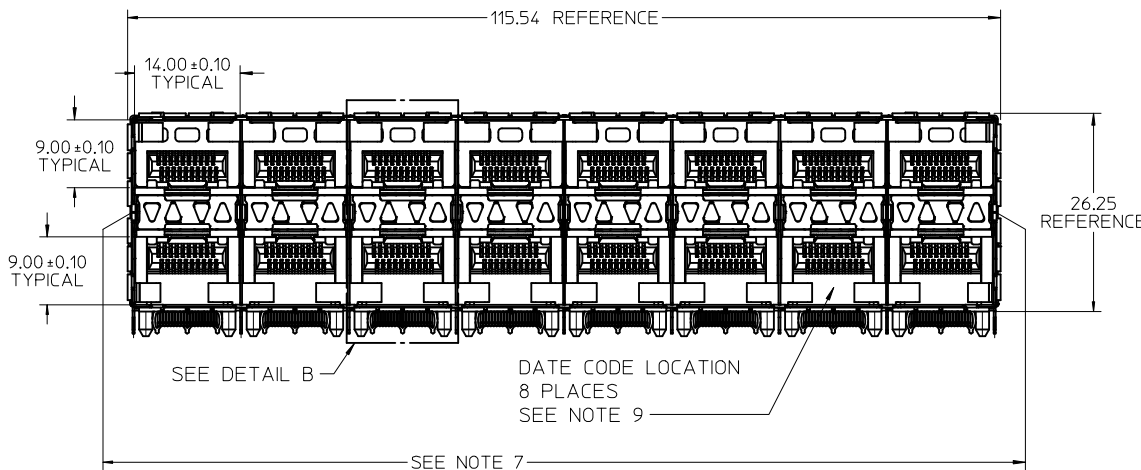
## Contact us

Tel: +86-755-8981 8866 Fax: +86-755-8427 6832

Email & Skype: info@chipsmall.com Web: www.chipsmall.com

Address: A1208, Overseas Decoration Building, #122 Zhenhua RD., Futian, Shenzhen, China

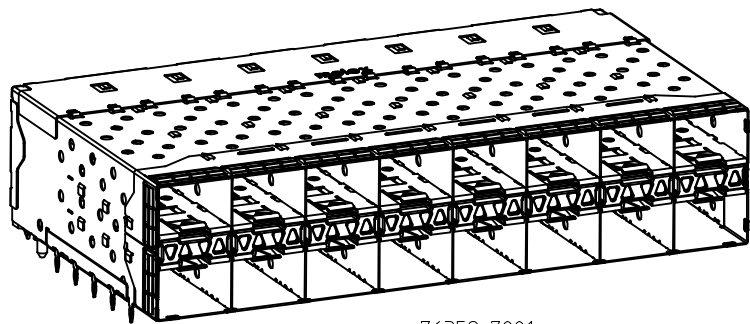




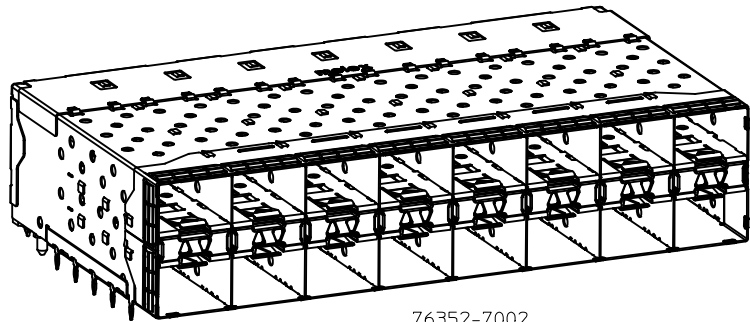
- NOTES:
- MATERIAL:
    - CAGE: NICKEL SILVER, THICKNESS: 0.25mm
    - CONNECTOR HOUSING: GLASS FILLED, LIQUID CRYSTAL POLYMER (LCP), UL 94V-0
    - COLOR: BLACK
    - OVERMOLDED TERMINAL HOUSING: GLASS FILLED, LIQUID CRYSTAL POLYMER (LCP), UL 94V-0, COLOR: BLACK
    - TERMINALS: TIN BRASS
    - LIGHT PIPES: POLYCARBONATE, UL 94V-0, COLOR: CLEAR
    - LIGHT PIPE HOUSING: ZINC
  - FINISH:
    - LIGHT PIPE HOUSING: 150 MICROMETERS MINIMUM NICKEL OVER 150 MICROMETERS MINIMUM COPPER
    - TERMINALS: CONTACT AREA: 0.76 MICROMETERS MINIMUM HARD GOLD OVER 1.27 MICROMETERS MINIMUM NICKEL.
    - COMPLIANT TAIL - 0.76 - 1.52 MICROMETERS MATTE TIN OVER 0.76 - 1.52 MICROMETERS NICKEL
  - REFER TO PS-75310-001 PRODUCT SPEC FOR ALL ELECTRICAL, MECHANICAL AND ENVIRONMENTAL SPECIFICATIONS.
  - LIGHT PIPE PAD LAYOUT IS FOR 0805 LOW-PROFILE LED PACKAGE, FOR OTHER RECOMMENDED LAYOUTS REFER TO MOLEX'S REPORT TS-75310-001.
  - REFER TO PK-76352-001 FOR ALL PACKAGING SPECIFICATIONS.
  - ALL EXTERIOR SURFACES TO BE CLASS "B" SURFACE EXCEPT THE UNDER SIDE OF THE CAGE WHERE THE PCB WOULD BE LOCATED AND AS NOTED. THE SURFACES TO CONFORM TO THE MOLEX COSMETIC DOC PS-45499-002.
  - THE OVERALL CAGE WIDTH AT THE VERTICAL CENTER OF THE FRONT EDGE WILL FALL WITHIN THIS DIMENSION: 114.80+/-0.30 MM. THIS PORTION OF THE CAGE WILL FLEX INWARD AS THE CAGE IS BEING INSERTED INTO THE BEZEL OPENING.
  - REFER TO AS-76090-001 FOR HIGH SPEED ROUTING RECOMMENDATIONS.
  - DATE CODE LOCATION IS SHOWN ABOVE.
    - DATE CODE FORMAT: DDDY MX A1
    - DDD = DAY OF THE YEAR
    - Y = YEAR
    - MX = MOLEX
    - A = ALPHA CHARACTER - INDICATES MANUFACTURING LINE
    - 1 = NUMERIC CHARACTER - INDICATES PRODUCTION SHIFT

PART NUMBER	LIGHTPIPE CONFIGURATION - SEE SHEET 2
763527001	4 LIGHT PORTS
763527002	INNER 2 PORTS
	OUTER 2 PORTS

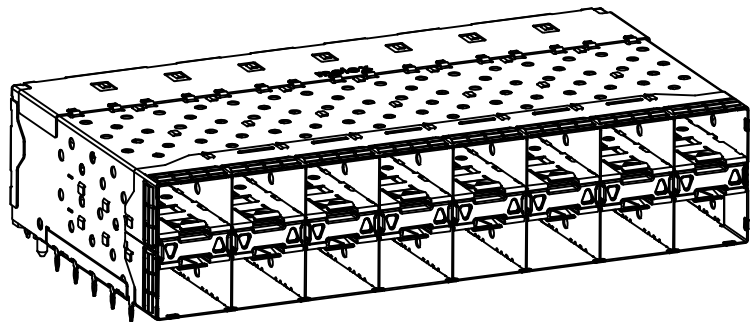
ADD 763527002 EC NO: UCP2012-0818 DRWN:BBARKER 2011/09/13 CHKD:DMORGAN APPR:SMILLER 2011/09/20	DESCRIPTION REV 1	QUALITY SYMBOLS	GENERAL TOLERANCES (UNLESS SPECIFIED)	DIMENSION STYLE	SCALE	DESIGN UNITS	THIRD ANGLE PROJECTION	
		$\nabla = 0$ $\nabla = 0$ $\nabla = 0$	mm INCH 4 PLACES ± --- ± --- 3 PLACES ± --- ± --- 2 PLACES ± 0.13 ± --- 1 PLACE ± 0.25 ± --- ANGULAR ± 5°	MM ONLY DRAWN BY DATE MS IBARRA 2010/09/03 CHECKED BY DATE DMORGAN 2010/09/03 APPROVED BY DATE SMILLER 2010/10/06	2:1 METRIC	MOLEX INCORPORATED MOLEX INCORPORATED	TITLE STACKED SFP+ 2X8 ASS'Y WITH METAL EMI GASKET LIGHTPIPES-IMPROVED EMI	DOCUMENT NO. SD-76352-0002
DRAFT WHERE APPLICABLE MUST REMAIN WITHIN DIMENSIONS			SEE TABLE					THIS DRAWING CONTAINS INFORMATION THAT IS PROPRIETARY TO MOLEX INCORPORATED AND SHOULD NOT BE USED WITHOUT WRITTEN PERMISSION



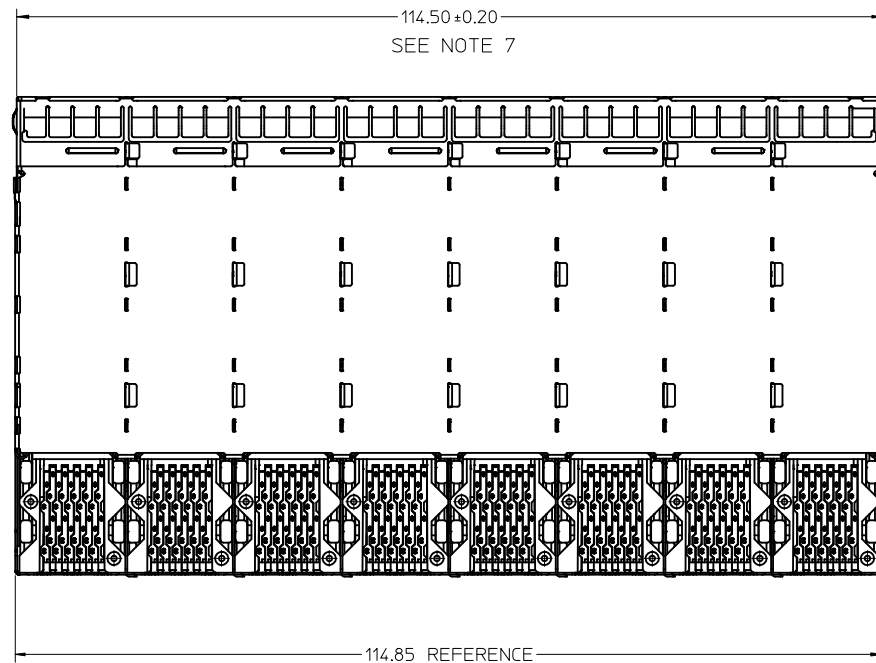
76352-7001  
WITH INNER & OUTER LIGHT PIPE PORTS



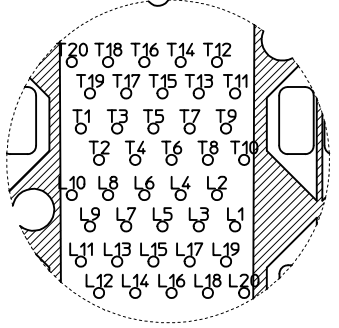
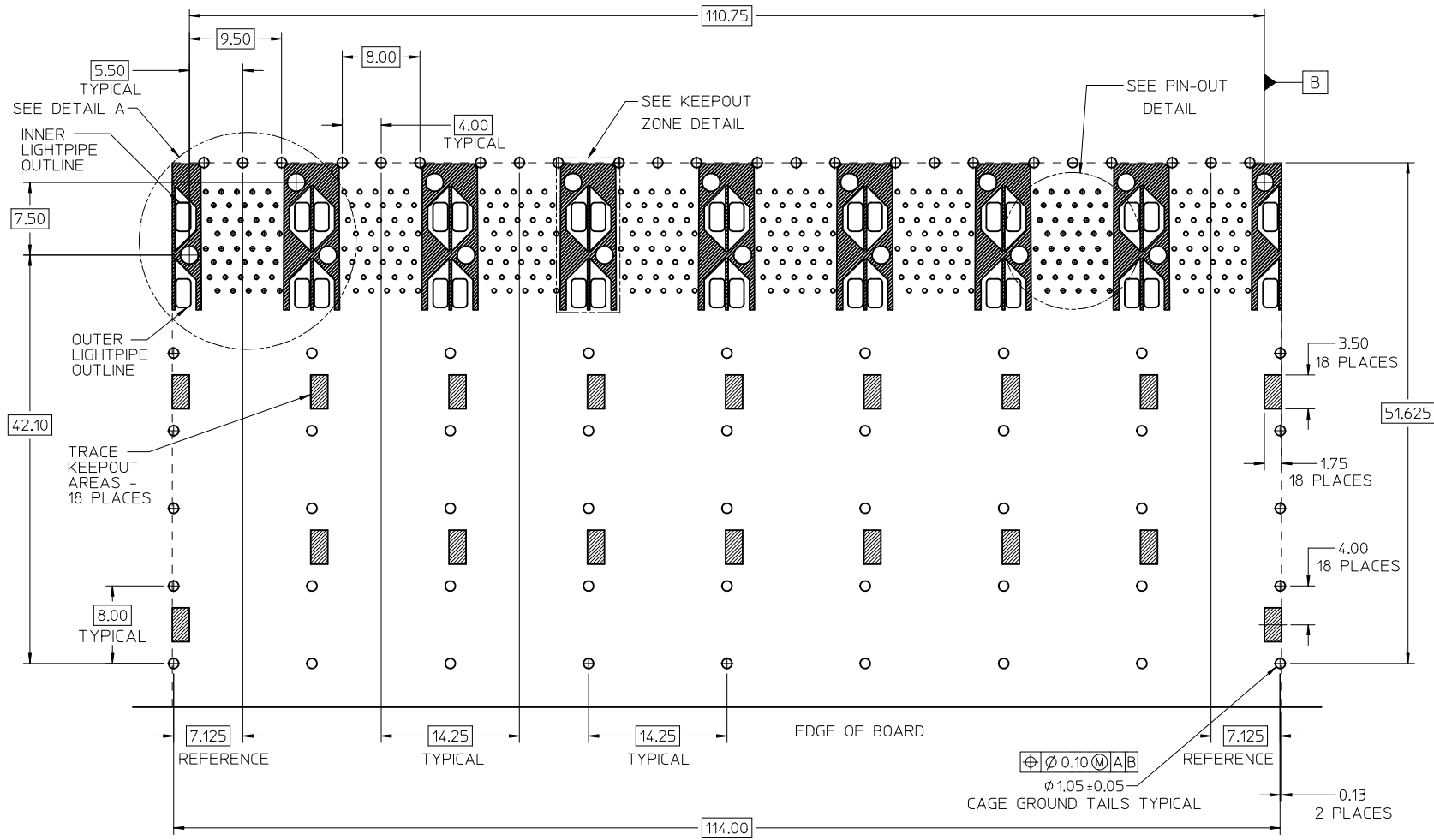
76352-7002  
WITH INNER LIGHT PIPE PORTS



WITH OUTER LIGHT PIPE PORTS



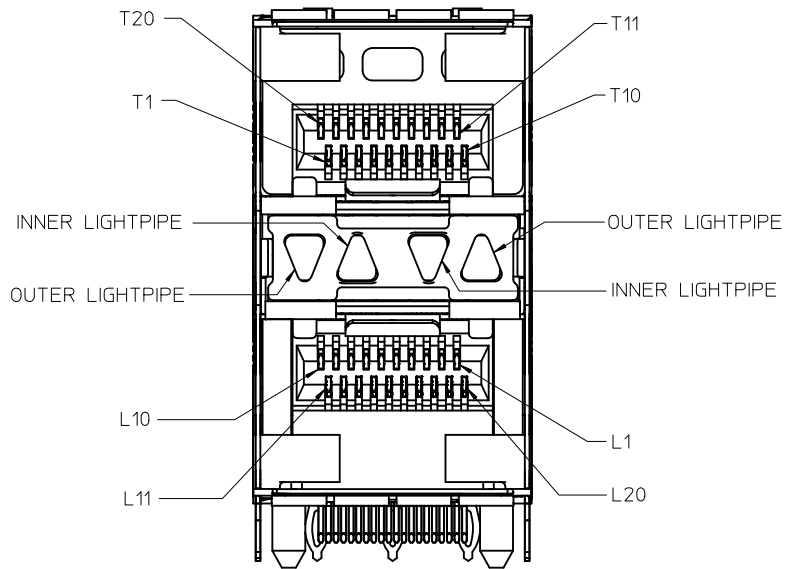
<b>SEE SHEET 1</b> EC NO: UCP2012-0818 DRWN:BBARKER 2011/09/13 CHKD:DMORGAN APPR:SMILLER 2011/09/20	QUALITY SYMBOLS = 0 = 0 = 0	GENERAL TOLERANCES (UNLESS SPECIFIED) <table border="1"> <thead> <tr> <th></th> <th>mm</th> <th>INCH</th> </tr> </thead> <tbody> <tr> <td>4 PLACES</td> <td>± .13</td> <td>± .005</td> </tr> <tr> <td>3 PLACES</td> <td>± .15</td> <td>± .006</td> </tr> <tr> <td>2 PLACES</td> <td>± 0.13</td> <td>± .005</td> </tr> <tr> <td>1 PLACE</td> <td>± 0.25</td> <td>± .010</td> </tr> </tbody> </table>		mm	INCH	4 PLACES	± .13	± .005	3 PLACES	± .15	± .006	2 PLACES	± 0.13	± .005	1 PLACE	± 0.25	± .010	DIMENSION STYLE <b>MM ONLY</b> DRAWN BY DATE MSIBARRA 2010/09/03 CHECKED BY DATE DMORGAN 2010/09/03 APPROVED BY DATE SMILLER 2010/10/06	SCALE <b>2:1</b> DESIGN UNITS <b>METRIC</b> THIRD ANGLE PROJECTION	TITLE <b>STACKED SFP+ 2X8 ASS'Y WITH METAL EMI GASKET LIGHTPIPES-IMPROVED EMI</b>
		mm	INCH																	
	4 PLACES	± .13	± .005																	
	3 PLACES	± .15	± .006																	
2 PLACES	± 0.13	± .005																		
1 PLACE	± 0.25	± .010																		
MATERIAL NO. <b>SEE SHEET 1</b>	DOCUMENT NO. <b>SD-76352-0002</b>	SHEET NO. <b>2 OF 5</b>																		
DRAFT WHERE APPLICABLE MUST REMAIN WITHIN DIMENSIONS	SIZE <b>THIS DRAWING CONTAINS INFORMATION THAT IS PROPRIETARY TO MOLEX INCORPORATED AND SHOULD NOT BE USED WITHOUT WRITTEN PERMISSION</b>	<b>MOLEX INCORPORATED</b>																		



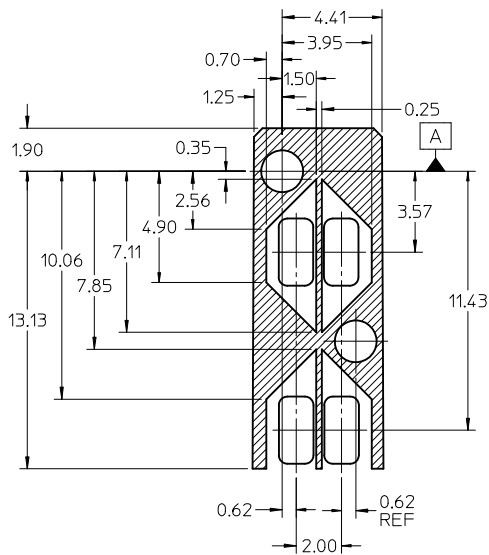
CONNECTOR PIN-OUT  
COMPONENT SIDE OF BOARD

RECOMMENDED PCB LAYOUT - COMPONENT SIDE  
 RECOMMENDED PCB THICKNESS - 2.63 MM (.093 INCH)  
 THE ENTIRE AREA OF THE CONNECTOR FOOTPRINT  
 TO BE CONSIDERED THE KEEP OUT AREA FOR COMPONENTS  
 (OTHER THAN LIGHT PIPE LED'S)  
 THIS AREA IS INDICATED BY THE DASHED LINE

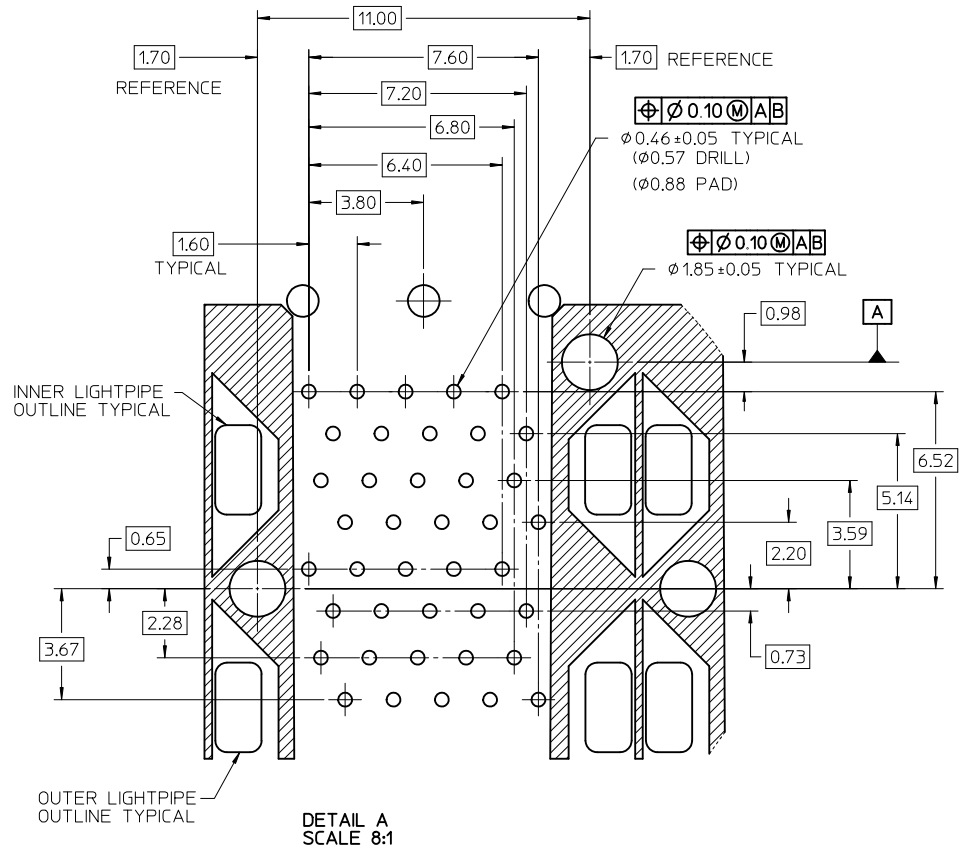
SEE SHEET 1 EC NO: UCP2012-0818 DRWN:BBARKER 2011/09/13 CHKD:DMORGAN APPR:SMILLER 2011/09/20	QUALITY SYMBOLS	GENERAL TOLERANCES (UNLESS SPECIFIED)	DIMENSION STYLE MM ONLY	SCALE 3:1	DESIGN UNITS METRIC	THIRD ANGLE PROJECTION
	▽=0	mm INCH	DRAWN BY DATE MSIBARRA 2010/09/03	TITLE	STACKED SFP+ 2X8 ASS'Y WITH METAL EMI GASKET LIGHTPIPES-IMPROVED EMI	
	▽=0	4 PLACES ± --- ± --- 3 PLACES ± --- ± --- 2 PLACES ± 0.13 ± --- 1 PLACE ± 0.25 ± ---	CHECKED BY DATE DMORGAN 2010/09/03	APPROVED BY DATE SMILLER 2010/10/06		
	▽=0	ANGULAR ± 5 °	MATERIAL NO.	MOLEX INCORPORATED DOCUMENT NO. SD-76352-0002		SHEET NO. 3 OF 5
		DRAFT WHERE APPLICABLE MUST REMAIN WITHIN DIMENSIONS	SEE SHEET 1	THIS DRAWING CONTAINS INFORMATION THAT IS PROPRIETARY TO MOLEX INCORPORATED AND SHOULD NOT BE USED WITHOUT WRITTEN PERMISSION		



DETAIL B  
SCALE 5:1  
CIRCUIT NUMBERING  
AND LIGHTPIPE  
IDENTIFICATION



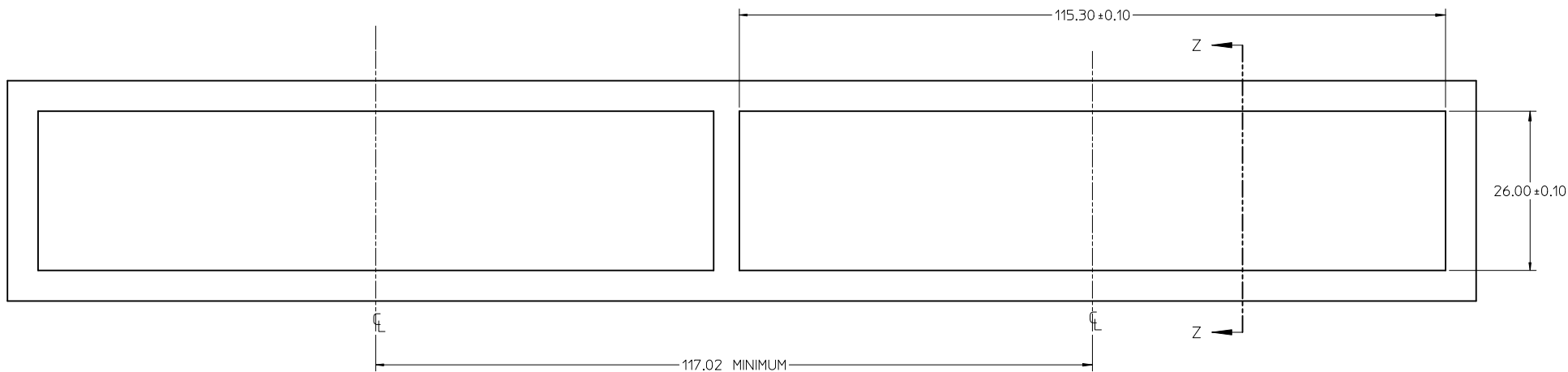
DETAIL - LIGHT PIPE AND OTHER ZONES  
THE HATCHED AREA IN THIS VIEW INDICATES ZONES THAT ARE OCCUPIED BY THE PLASTIC HOUSING THAT SEATS AGAINST THE PCB AND BY THE VERTICAL METAL CAGE WALL THAT STOPS JUST SHORT OF THE PCB



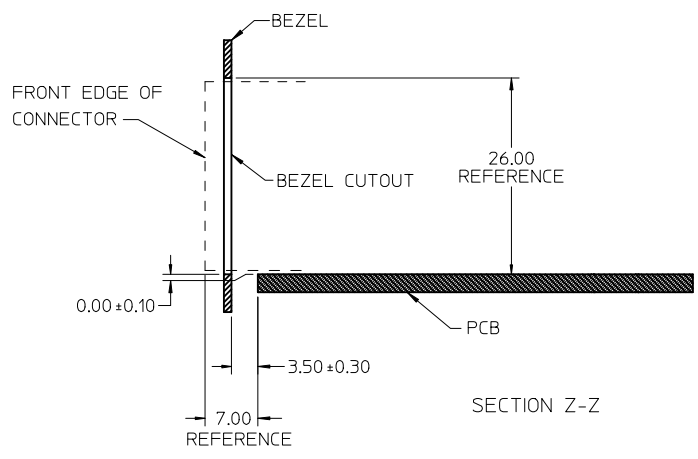
DETAIL A  
SCALE 8:1

ADD DETAIL B EC NO: UCP2012-0818 DRAWN: BARKER 2011/09/13 CHKD: DMORGAN APPR: SMILLER 2011/09/20	DESCRIPTION REV	QUALITY SYMBOLS	GENERAL TOLERANCES (UNLESS SPECIFIED)	DIMENSION STYLE MM ONLY	SCALE 5:1	DESIGN UNITS METRIC	THIRD ANGLE PROJECTION																									
		$\nabla = 0$ $\nabla = 0$ $\nabla = 0$	<table border="1"> <tr> <th></th> <th>mm</th> <th>INCH</th> </tr> <tr> <td>4 PLACES</td> <td><math>\pm 0.13</math></td> <td><math>\pm 0.005</math></td> </tr> <tr> <td>3 PLACES</td> <td><math>\pm 0.13</math></td> <td><math>\pm 0.005</math></td> </tr> <tr> <td>2 PLACES</td> <td><math>\pm 0.13</math></td> <td><math>\pm 0.005</math></td> </tr> <tr> <td>1 PLACE</td> <td><math>\pm 0.25</math></td> <td><math>\pm 0.010</math></td> </tr> </table>		mm	INCH	4 PLACES	$\pm 0.13$	$\pm 0.005$	3 PLACES	$\pm 0.13$	$\pm 0.005$	2 PLACES	$\pm 0.13$	$\pm 0.005$	1 PLACE	$\pm 0.25$	$\pm 0.010$	<table border="1"> <tr> <th>DRAWN BY</th> <th>DATE</th> </tr> <tr> <td>MSIBARRA</td> <td>2010/09/03</td> </tr> <tr> <th>CHECKED BY</th> <th>DATE</th> </tr> <tr> <td>DMORGAN</td> <td>2010/09/03</td> </tr> <tr> <th>APPROVED BY</th> <th>DATE</th> </tr> <tr> <td>SMILLER</td> <td>2010/10/06</td> </tr> </table>	DRAWN BY	DATE	MSIBARRA	2010/09/03	CHECKED BY	DATE	DMORGAN	2010/09/03	APPROVED BY	DATE	SMILLER	2010/10/06	TITLE STACKED SFP+ 2X8 ASS'Y WITH METAL EMI GASKET LIGHTPIPES-IMPROVED EMI
	mm	INCH																														
4 PLACES	$\pm 0.13$	$\pm 0.005$																														
3 PLACES	$\pm 0.13$	$\pm 0.005$																														
2 PLACES	$\pm 0.13$	$\pm 0.005$																														
1 PLACE	$\pm 0.25$	$\pm 0.010$																														
DRAWN BY	DATE																															
MSIBARRA	2010/09/03																															
CHECKED BY	DATE																															
DMORGAN	2010/09/03																															
APPROVED BY	DATE																															
SMILLER	2010/10/06																															
DRAFT WHERE APPLICABLE MUST REMAIN WITHIN DIMENSIONS		SEE SHEET 1	THIS DRAWING CONTAINS INFORMATION THAT IS PROPRIETARY TO MOLEX INCORPORATED AND SHOULD NOT BE USED WITHOUT WRITTEN PERMISSION																													





BEZEL CUT-OUT DETAIL  
RECOMMENDED BEZEL THICKNESS: 0.8MM - 2.6MM



SEE SHEET 1 EC NO: UCP2012-0818 DRAWN BY: DRWINBARKER 2011/09/13 CHKD: DMORGAN APPR: SMILLER 2011/09/20	QUALITY SYMBOLS	GENERAL TOLERANCES (UNLESS SPECIFIED)		DIMENSION STYLE <b>MM ONLY</b>		SCALE <b>2:1</b>	DESIGN UNITS <b>METRIC</b>	THIRD ANGLE PROJECTION
	▽=0	mm	INCH	DRAWN BY	DATE	TITLE		
	▽=0	4 PLACES ± ---	± ---	MSIBARRA	2010/09/03	STACKED SFP+ 2X8 ASS'Y WITH METAL EMI GASKET LIGHTPIPES-IMPROVED EMI		
	▽=0	3 PLACES ± ---	± ---	CHECKED BY	DATE	MOLEX INCORPORATED		
		2 PLACES ± 0.13	± ---	DMORGAN	2010/09/03	MATERIAL NO.		
		1 PLACE ± 0.25	± ---	APPROVED BY	DATE	DOCUMENT NO.		
		ANGULAR ± 5 °		SMILLER	2010/10/06	SD-76352-0002		
		DRAFT WHERE APPLICABLE MUST REMAIN WITHIN DIMENSIONS		SEE SHEET 1		SHEET NO. 5 OF 5		
		THIS DRAWING CONTAINS INFORMATION THAT IS PROPRIETARY TO MOLEX INCORPORATED AND SHOULD NOT BE USED WITHOUT WRITTEN PERMISSION						