



Chipsmall Limited consists of a professional team with an average of over 10 year of expertise in the distribution of electronic components. Based in Hongkong, we have already established firm and mutual-benefit business relationships with customers from,Europe,America and south Asia,supplying obsolete and hard-to-find components to meet their specific needs.

With the principle of “Quality Parts,Customers Priority,Honest Operation,and Considerate Service”,our business mainly focus on the distribution of electronic components. Line cards we deal with include Microchip,ALPS,ROHM,Xilinx,Pulse,ON,Everlight and Freescale. Main products comprise IC,Modules,Potentiometer,IC Socket,Relay,Connector.Our parts cover such applications as commercial,industrial, and automotives areas.

We are looking forward to setting up business relationship with you and hope to provide you with the best service and solution. Let us make a better world for our industry!



## Contact us

Tel: +86-755-8981 8866 Fax: +86-755-8427 6832

Email & Skype: info@chipsmall.com Web: www.chipsmall.com

Address: A1208, Overseas Decoration Building, #122 Zhenhua RD., Futian, Shenzhen, China



MATERIAL NUMBER	# OF COLUMNS	# OF DIFF PAIR	DIM 'A' MAX	DIM 'B'	PTHØ
76410-8**	8	24	22.80	13.30	0.46±0.05
76410-10**	10	30	26.60	17.10	0.46±0.05
76410-16**	16	48	38.00	28.50	0.46±0.05
76410-8**	8	24	22.80	13.30	0.39±0.05
76410-10**	10	30	26.60	17.10	0.39±0.05
76410-16**	16	48	38.00	28.50	0.39±0.05

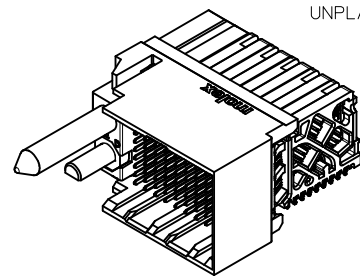
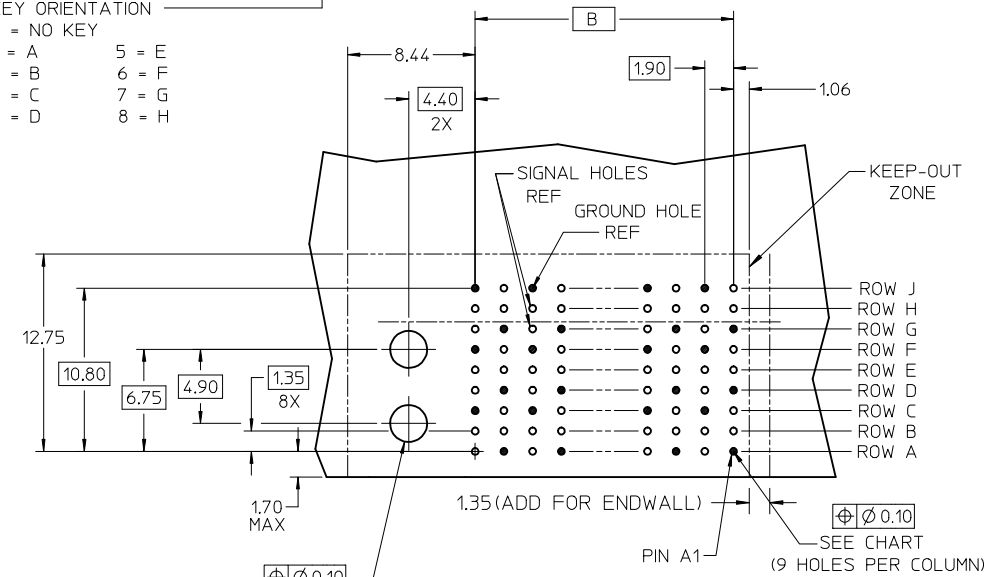
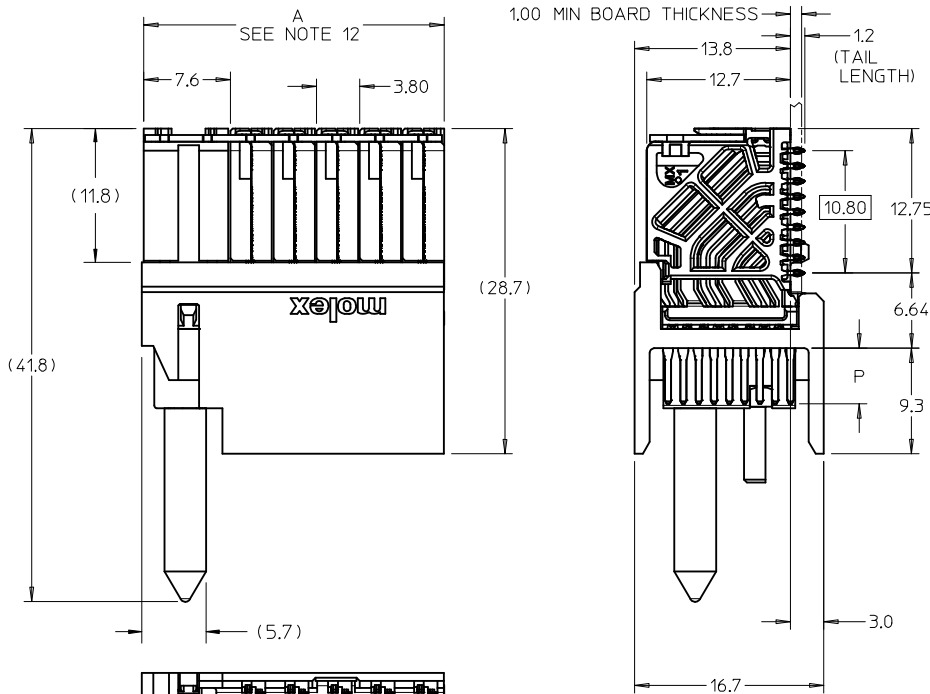
76410-\*\*\*\*

MODULE TYPE  
 3 = LEFT GUIDED LEAD-FREE  
 7 = LEFT GUIDED LEAD-FREE W/ ENDWALL

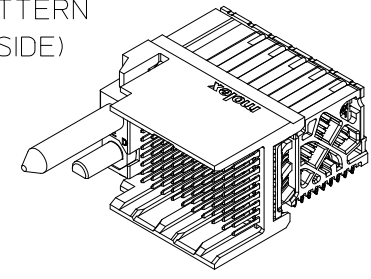
PIN LENGTH (P)  
 4 = 4.90 (0.46 PTH)  
 5 = 5.50 (0.46 PTH)  
 7 = 4.90 (0.39 PTH)  
 8 = 5.50 (0.39 PTH)

# OF COLUMNS  
 1 = 10 COL  
 6 = 16 COL  
 8 = 8 COL

KEY ORIENTATION  
 0 = NO KEY  
 1 = A    5 = E  
 2 = B    6 = F  
 3 = C    7 = G  
 4 = D    8 = H



ENDWALL OPTION

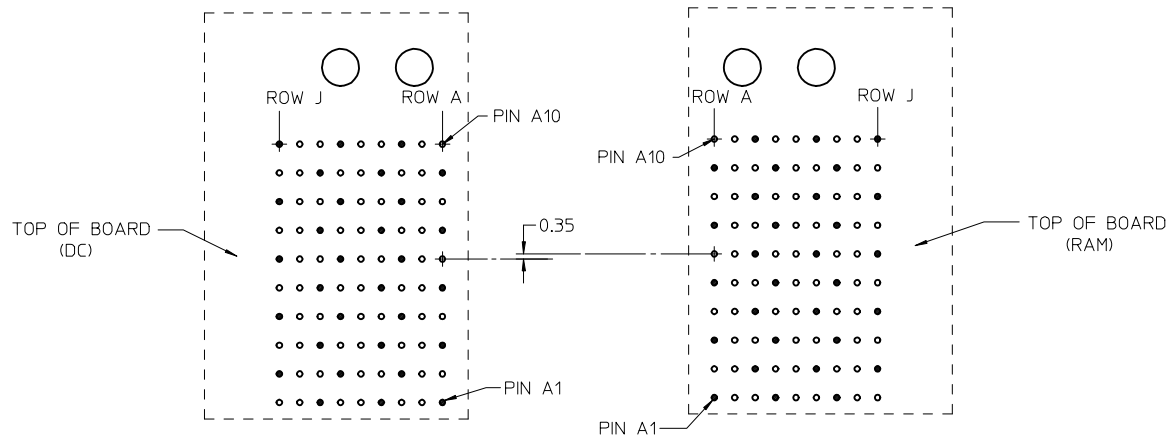
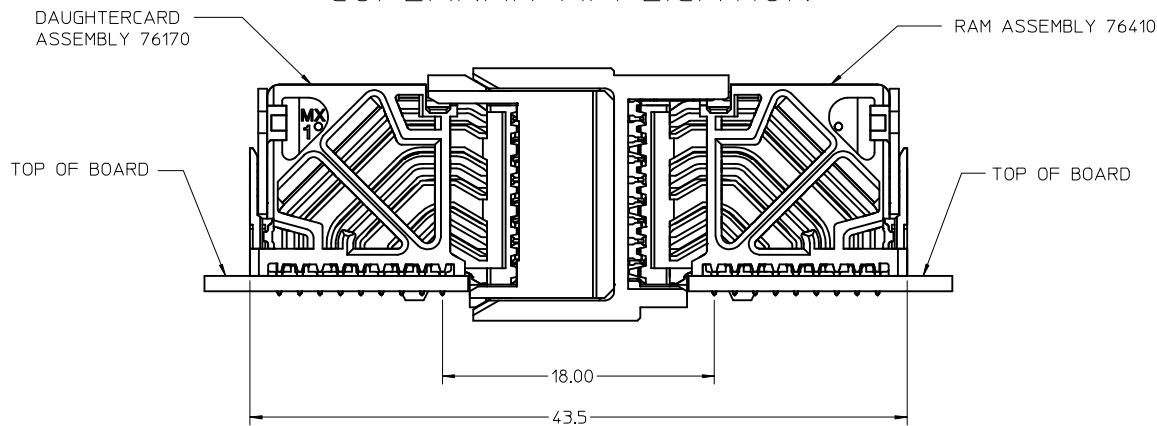


OPEN END OPTION

- NOTES:
- MATERIALS: HOUSING - LIQUID CRYSTAL POLYMER (LCP), GLASS-FILLED, UL94V-0  
TERMINALS - HIGH PERFORMANCE COPPER ALLOY
  - FINISH: 30µIN SELECTIVE GOLD IN CONTACT AREA, SELECTIVE TIN ON PCB TAILS, NICKEL OVERALL.
  - REFER TO MOLEX PRODUCT SPECIFICATION PS-76060-999 FOR PERFORMANCE SPECIFICATIONS AND ADDITIONAL PCB INFORMATION.
  - EACH SIGNAL WAFER CONTAINS 2 COLUMNS OF TERMINALS.
  - PRODUCT IS PACKAGED PER PK-70873-762.
  - THIS PART CONFORMS TO CLASS B REQUIREMENTS OF COSMETIC SPEC PS-45499-002.
  - REFER TO MOLEX SALES DRAWING SD-76170-004 FOR THE MATING RECEPTACLES.
  - REFER TO MOLEX PCB ROUTING GUIDE AS-76060-990 FOR ANTIPAD AND ROUTING RECOMMENDATIONS.
  - CONNECTORS SUPPLIED WITH A 2-56 UNC-2A SCREW.
  - GUIDE LEFT RAM MATES WITH A GUIDE RIGHT DAUGHTERCARD.
  - OPEN END OPTION SHOWN FOR CLARITY.
  - ADD 1.35mm TO DIMENSIONS FOR ASSEMBLIES WITH AN ENDWALL.

CONVERT TO LEAD-FREE EC NO: UCP2013-2489 DRWNG: JONI/IAK 2011/11/22 CHKD: TELD 2012/12/18 APPR: MILLER 2012/12/31 REV: D	QUALITY SYMBOLS ▽=0 ▽=0 ▽=0	GENERAL TOLERANCES (UNLESS SPECIFIED) <table border="1"> <thead> <tr> <th></th> <th>mm</th> <th>INCH</th> </tr> </thead> <tbody> <tr> <td>4 PLACES</td> <td>± ---</td> <td>± ---</td> </tr> <tr> <td>3 PLACES</td> <td>± ---</td> <td>± ---</td> </tr> <tr> <td>2 PLACES</td> <td>± 0.13</td> <td>± ---</td> </tr> <tr> <td>1 PLACE</td> <td>± 0.25</td> <td>± ---</td> </tr> <tr> <td>0 PLACE</td> <td>±</td> <td>±</td> </tr> </tbody> </table>		mm	INCH	4 PLACES	± ---	± ---	3 PLACES	± ---	± ---	2 PLACES	± 0.13	± ---	1 PLACE	± 0.25	± ---	0 PLACE	±	±	DIMENSION STYLE <b>MM ONLY</b> DRAWN BY DATE JL AURX 2008/10/21 CHECKED BY DATE J JONI/IAK 2008/10/21 APPROVED BY DATE JL AURX 2008/10/21	SCALE <b>3:1</b> DESIGN UNITS <b>METRIC</b> THIRD ANGLE PROJECTION	TITLE <b>IMPACT 3 PAIR RAM          GUIDE LEFT SIGNAL MODULE          SALES DRAWING</b> <b>molex</b>
		mm	INCH																				
	4 PLACES	± ---	± ---																				
	3 PLACES	± ---	± ---																				
2 PLACES	± 0.13	± ---																					
1 PLACE	± 0.25	± ---																					
0 PLACE	±	±																					
	ANGULAR ±1/2° DRAFT WHERE APPLICABLE MUST REMAIN WITHIN DIMENSIONS	MATERIAL NO. <b>SEE TABLE</b>	DOCUMENT NO. <b>SD-76410-002</b>	SHEET NO. <b>1 OF 2</b>																			
		SIZE <b>C</b>	THIS DRAWING CONTAINS INFORMATION THAT IS PROPRIETARY TO MOLEX INCORPORATED AND SHOULD NOT BE USED WITHOUT WRITTEN PERMISSION																				

### COPLANAR APPLICATION



### COPLANAR MATED SIGNAL PATHS



SEE SHEET 1 EC NO: UCP2013-2489 DRWN: JONIAK 2011/11/22 CHKD: TELO 2012/12/18 APPR: MILLER 2012/12/31	QUALITY SYMBOLS	GENERAL TOLERANCES (UNLESS SPECIFIED)	DIMENSION STYLE <b>MM ONLY</b>	SCALE <b>4:1</b>	DESIGN UNITS <b>METRIC</b>	THIRD ANGLE PROJECTION
	▽=0	4 PLACES ± --- ± ---	DRAWN BY DATE JLAURX 2008/10/21	TITLE <b>IMPACT 3 PAIR RAM GUIDE LEFT SIGNAL MODULE SALES DRAWING</b>		
	▽=0	3 PLACES ± --- ± ---	CHECKED BY DATE JJONIAK 2008/10/21			
	▽=0	2 PLACES ± 0.13 ± ---	APPROVED BY DATE JLAURX 2008/10/21	<b>molex</b> DOCUMENT NO. <b>SD-76410-002</b> SHEET NO. <b>2 OF 2</b>		
▽=0	1 PLACE ± 0.25 ± ---	MATERIAL NO.				
REV	DESCRIPTION	ANGULAR ±1/2°	SIZE	THIS DRAWING CONTAINS INFORMATION THAT IS PROPRIETARY TO MOLEX INCORPORATED AND SHOULD NOT BE USED WITHOUT WRITTEN PERMISSION		
D		DRAFT WHERE APPLICABLE MUST REMAIN WITHIN DIMENSIONS	C			