



Chipsmall Limited consists of a professional team with an average of over 10 year of expertise in the distribution of electronic components. Based in Hongkong, we have already established firm and mutual-benefit business relationships with customers from,Europe,America and south Asia,supplying obsolete and hard-to-find components to meet their specific needs.

With the principle of "Quality Parts,Customers Priority,Honest Operation,and Considerate Service",our business mainly focus on the distribution of electronic components. Line cards we deal with include Microchip,ALPS,ROHM,Xilinx,Pulse,ON,Everlight and Freescale. Main products comprise IC,Modules,Potentiometer,IC Socket,Relay,Connector.Our parts cover such applications as commercial,industrial, and automotives areas.

We are looking forward to setting up business relationship with you and hope to provide you with the best service and solution. Let us make a better world for our industry!



## Contact us

Tel: +86-755-8981 8866 Fax: +86-755-8427 6832

Email & Skype: info@chipsmall.com Web: www.chipsmall.com

Address: A1208, Overseas Decoration Building, #122 Zhenhua RD., Futian, Shenzhen, China

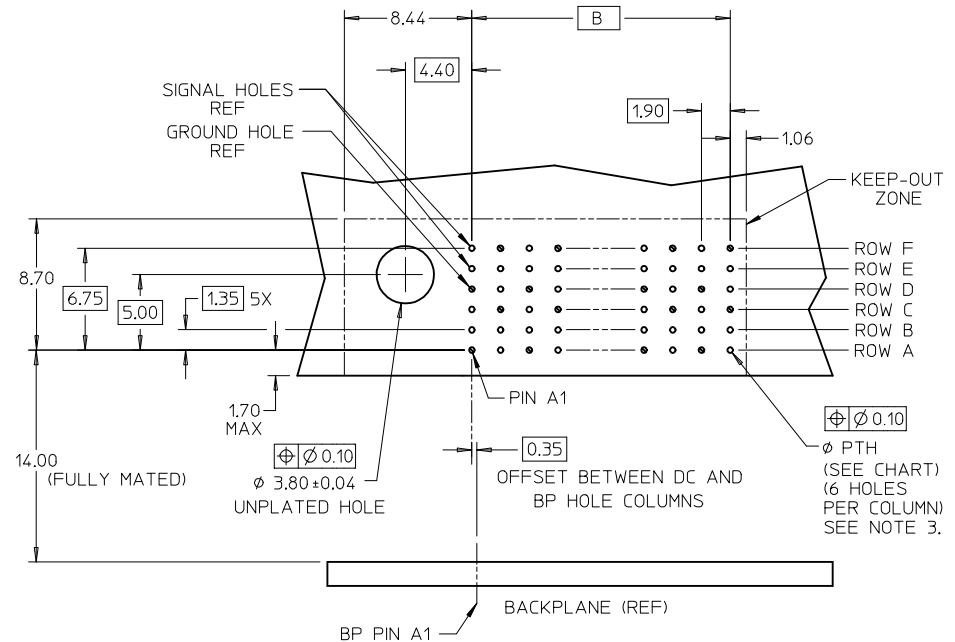
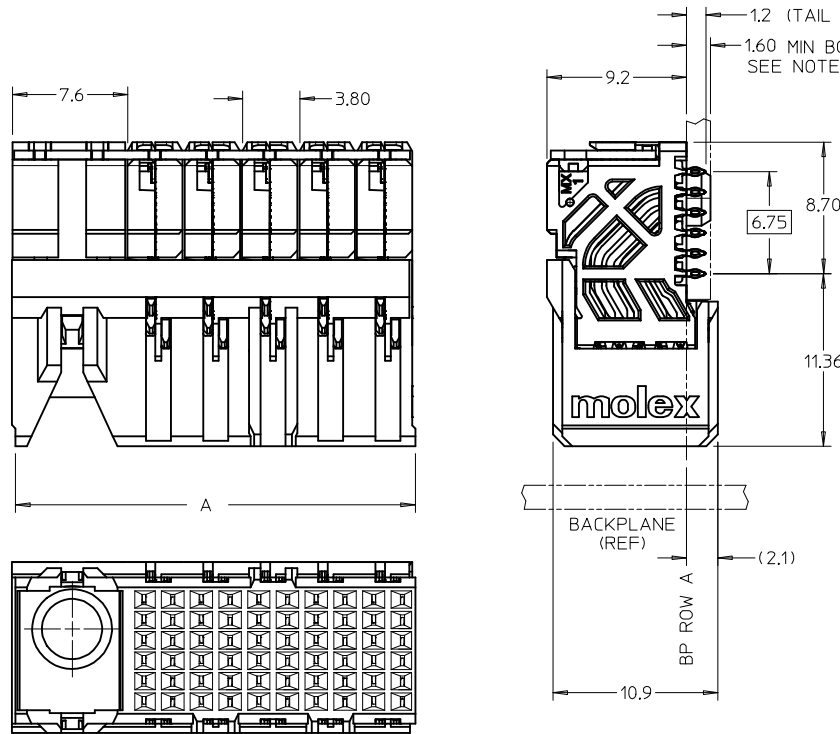
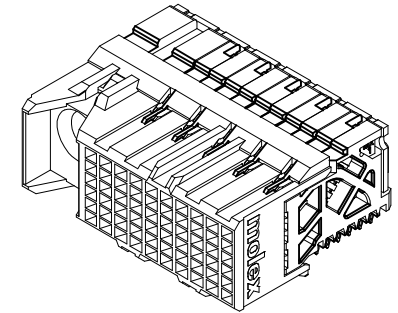


MATERIAL NUMBER	# OF COLUMNS	# OF DIFF PAIR	DIM "A" MAX	DIM "B"	PTH $\phi$
76460-*010	10	20	26.60	17.10	0.46
76460-*016	16	32	38.00	28.50	$\pm 0.05$
76460-*020	10	20	26.60	17.10	0.39
76460-*026	16	32	38.00	28.50	$\pm 0.05$

76460-\*0\*\*

MODULE & TAIL PLATING TYPE  
3 = LEFT GUIDED LEAD-FREE

# OF COLUMNS  
10 = 10 COL 0.46 PTH  
16 = 16 COL 0.46 PTH  
20 = 10 COL 0.39 PTH  
26 = 16 COL 0.39 PTH



- NOTES:
- MATERIALS: HOUSING - LIQUID CRYSTAL POLYMER (LCP), GLASS-FILLED, UL94V-0  
TERMINALS - HIGH PERFORMANCE COPPER ALLOY
  - FINISH: 30MN MIN SELECTIVE GOLD IN CONTACT AREA, SELECTIVE TIN ON PCB TAILS, NICKEL OVERALL.
  - REFER TO MOLEX PRODUCT SPEC PS-76060-999 FOR PERFORMANCE SPECIFICATIONS AND ADDITIONAL PCB INFORMATION.
  - EACH SIGNAL WAFER CONTAINS 2 COLUMNS OF TERMINALS.
  - PRODUCT IS PACKAGED PER PK-70873-592.
  - THIS PART CONFORMS TO CLASS B REQUIREMENTS OF COSMETIC SPEC PS-45499-002.
  - REFER TO MOLEX SALES DRAWING SD-76455-002 FOR THE MATING HEADERS.
  - WHEN USING MOLEX SUPPLIED #2-32 SCREW 73726-4000 (4.31mm  $\pm 0.38$  THREADABLE SCREW LENGTH), THE MAXIMUM BOARD THICKNESS IS 1.8 mm TO 2.4 mm.
  - REFER TO MOLEX PCB ROUTING GUIDE AS-76060-990 FOR ANTI PAD AND ROUTING RECOMMENDATIONS.

DAUGHTERCARD HOLE PATTERN  
(CONNECTOR SIDE)

CONVERT TO LEAD-FREE EC NO: UCP2013-2489 DRWIN: LIBARRA 2012/12/17 CHKD: TELO 2012/12/18 APPR: SMILLER 2012/12/31	QUALITY SYMBOLS 	GENERAL TOLERANCES (UNLESS SPECIFIED)		DIMENSION STYLE <b>MM ONLY</b>		SCALE 4:1	DESIGN UNITS METRIC	THIRD ANGLE PROJECTION	
		mm	INCH	DRAWN BY JLAURX	DATE 2008/04/11	<b>IMPACT DAUGHTERCARD 2 PAIR SIGNAL MODULE GUIDE LEFT SALES DWG</b>   DOCUMENT NO. SD-76460-002 SHEET NO. 1 OF 1			
		4 PLACES $\pm$ --- $\pm$ ---		CHECKED BY TELO	DATE 2008/04/11				
		2 PLACES $\pm 0.13$ $\pm$ ---		APPROVED BY JLAURX	DATE 2008/04/11				
1 PLACE $\pm 0.25$ $\pm$ ---		MATERIAL NO. <b>SEE TABLE</b>							
0 PLACE $\pm$ --- $\pm$ ---		ANGULAR $\pm 1/2^\circ$		SIZE C		THIS DRAWING CONTAINS INFORMATION THAT IS PROPRIETARY TO MOLEX INCORPORATED AND SHOULD NOT BE USED WITHOUT WRITTEN PERMISSION			
DRAFT WHERE APPLICABLE MUST REMAIN WITHIN DIMENSIONS									