



Chipsmall Limited consists of a professional team with an average of over 10 year of expertise in the distribution of electronic components. Based in Hongkong, we have already established firm and mutual-benefit business relationships with customers from,Europe,America and south Asia,supplying obsolete and hard-to-find components to meet their specific needs.

With the principle of “Quality Parts,Customers Priority,Honest Operation,and Considerate Service”,our business mainly focus on the distribution of electronic components. Line cards we deal with include Microchip,ALPS,ROHM,Xilinx,Pulse,ON,Everlight and Freescale. Main products comprise IC,Modules,Potentiometer,IC Socket,Relay,Connector.Our parts cover such applications as commercial,industrial, and automotives areas.

We are looking forward to setting up business relationship with you and hope to provide you with the best service and solution. Let us make a better world for our industry!



Contact us

Tel: +86-755-8981 8866 Fax: +86-755-8427 6832

Email & Skype: info@chipsmall.com Web: www.chipsmall.com

Address: A1208, Overseas Decoration Building, #122 Zhenhua RD., Futian, Shenzhen, China



MATERIAL NUMBER	# OF COLUMNS	# OF DIFF PAIR	DIM 'A' MAX	DIM 'B'	PTH ϕ
76500-#8**	8	32	22.80	13.30	0.46±0.05
76500-#1**	10	40	26.60	17.10	0.46±0.05
76500-#6**	16	64	38.00	28.50	0.46±0.05
76500-#8**	8	32	22.80	13.30	0.39±0.05
76500-#1**	10	40	26.60	17.10	0.39±0.05
76500-#6**	16	64	38.00	28.50	0.39±0.05

76500-****

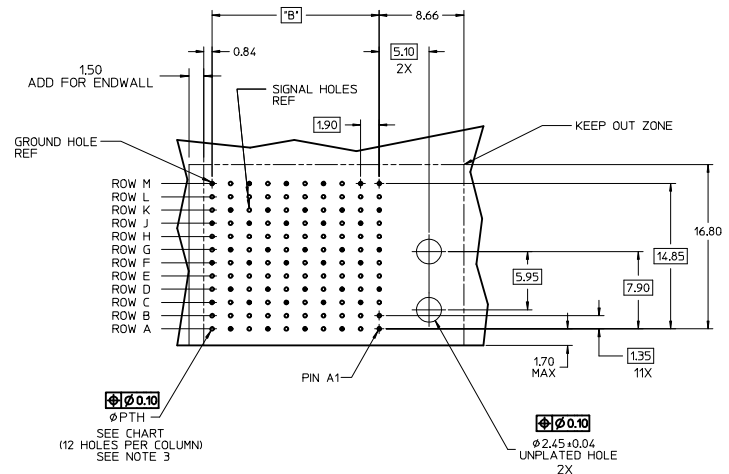
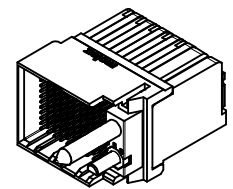
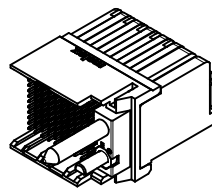
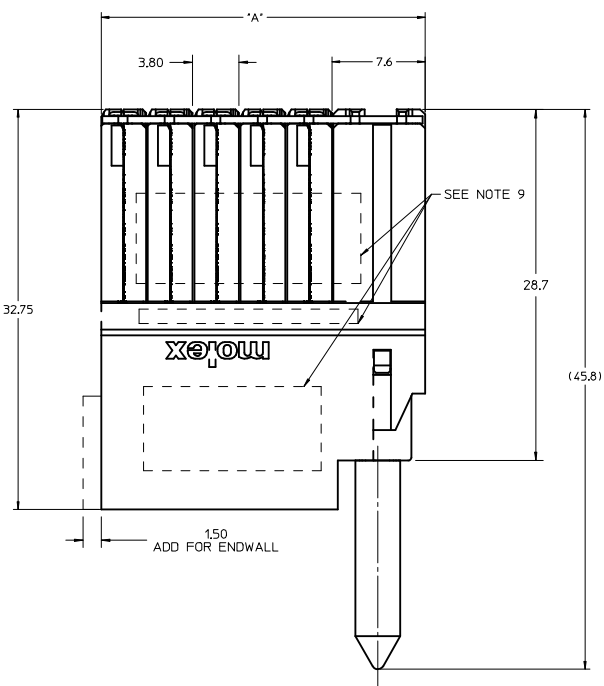
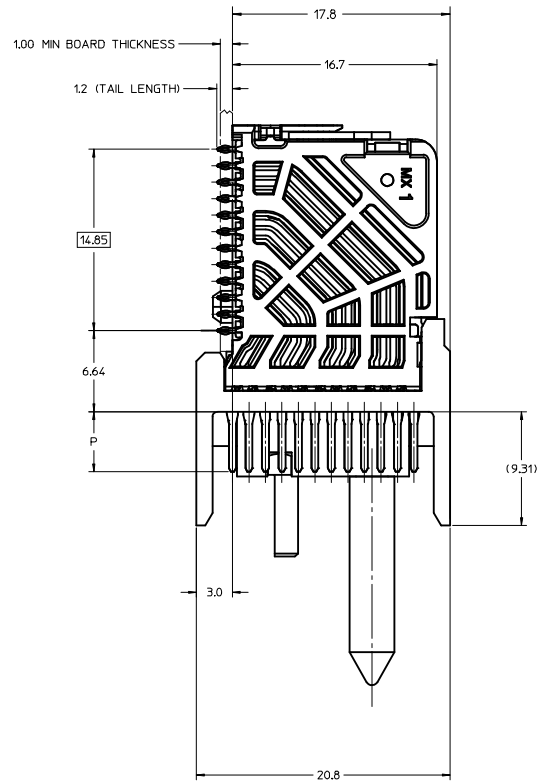
MODULE TYPE
 5 = RIGHT GUIDED, LEAD-FREE
 9 = RIGHT GUIDED, LEAD-FREE W/ ENDWALL

OF COLUMNS
 1 = 10 COLUMNS
 6 = 16 COLUMNS
 8 = 8 COLUMNS

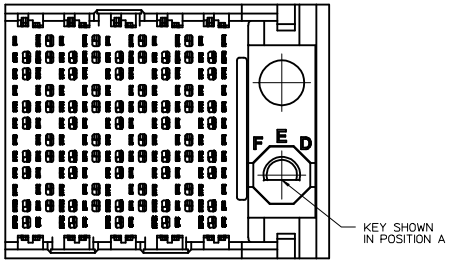
PIN LENGTH (P)
 4 = 4.90 (0.46 PTH)
 5 = 5.50 (0.46 PTH)
 7 = 4.90 (0.39 PTH)
 8 = 5.50 (0.39 PTH)

KEY ORIENTATION
 0 = NO KEY
 1 = A 5 = E
 2 = B 6 = F
 3 = C 7 = G
 4 = D 8 = H

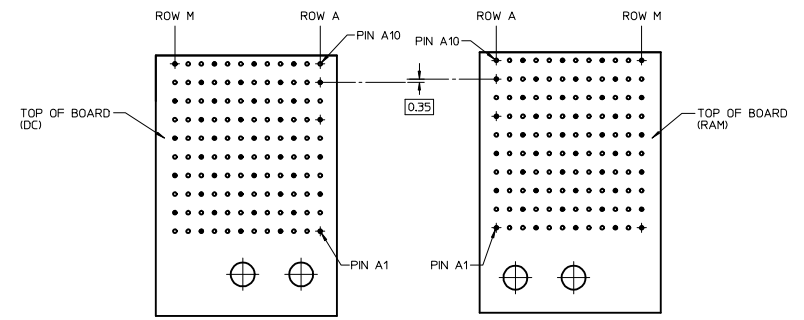
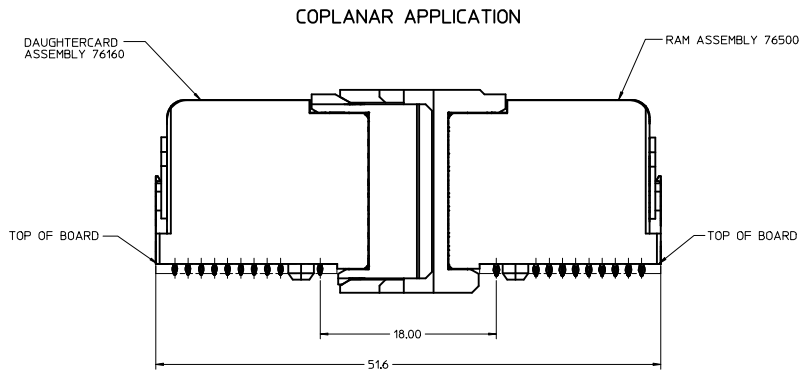
- NOTES:
- MATERIALS: HOUSING - LIQUID CRYSTAL POLYMER (LCP), GLASS-FILLED, UL94V-0
TERMINALS - HIGH PERFORMANCE COPPER ALLOY
 - FINISH: 304N SELECTIVE GOLD IN CONTACT AREA, SELECTIVE TIN ON PCB TAILS, NICKEL OVERALL.
 - REFER TO MOLEX PRODUCT SPECIFICATION PS-76060-999 FOR PERFORMANCE SPECIFICATIONS AND ADDITIONAL PCB INFORMATION.
 - EACH SIGNAL WAFER CONTAINS 2 COLUMNS OF TERMINALS.
 - PRODUCT IS PACKAGED PER PK-70873-041.
 - THIS PART CONFORMS TO CLASS B REQUIREMENTS OF COSMETIC SPEC PS-45499-002.7. REFER TO MOLEX SALES DRAWING SD-76160-002 FOR THE MATING RECEPTACLES.
 - REFER TO MOLEX PCB ROUTING GUIDE AS-76060-990 FOR ANTIPAD AND ROUTING RECOMMENDATIONS.
 - WHEN USING MOLEX SUPPLIED #2-32 SCREW 73726-0000 (9.50mm ±0.38 THREADABLE SCREW LENGTH), THE MAXIMUM BOARD THICKNESS IS 4.4mm.
 - GUIDE RIGHT RAM MATES WITH A GUIDE LEFT DAUGHTERCARD.
 - MARKING: LOCATED APPROXIMATELY AS SHOWN. PART NUMBER AND DATE CODE.



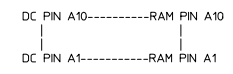
RAM HOLE PATTERN (CONNECTOR SIDE)



ADD LASER MARK INFO		QUALITY SYMBOLS		GENERAL TOLERANCES (UNLESS SPECIFIED)		DIMENSION STYLE		SCALE		DESIGN UNITS		THIRD ANGLE PROJECTION	
LEC NO.	DATE	DRWN BY	DATE	mm	INCH	MM ONLY	DATE	5:1	METRIC	IMPACT 4 PAIR RAM GUIDE RIGHT SIGNAL MODULE SALES DWG			
2015/07/29	2015/07/29	JOUILES	2008/12/10	±---	±---	DATE				molex			
2016/02/22	2016/02/22	JLAURX	2008/12/11	±0.13	±---	DATE				SD-76500-004			
2016/04/20	2016/04/20	JLAURX	2008/12/12	±0.25	±---	DATE				1 OF 2			
		JLAURX	2008/12/12	±---	±---	DATE				THIS DRAWING CONTAINS INFORMATION THAT IS PROPRIETARY TO MOLEX INCORPORATED AND SHOULD NOT BE USED WITHOUT WRITTEN PERMISSION			



COPLANAR MATED SIGNAL PATHS



SEE SHEET 1 IEC NO. UCP2016-3973 DRAWN: VARARA CHKD: TELO APPR: TELO	2015/07/29	2016/02/22	2016/04/20	QUALITY SYMBOLS ▽=0 ▽=0 ▽=0	GENERAL TOLERANCES (UNLESS SPECIFIED) mm INCH		DIMENSION STYLE MM ONLY		SCALE 4:1	DESIGN UNITS METRIC	THIRD ANGLE PROJECTION	
	4 PLACES ±---		3 PLACES ±---		2 PLACES ±0.13		1 PLACE ±0.25		0 PLACE ±---		DRAWN BY JOUILLES	
	ANGULAR ±1/2°		DRAFT WHERE APPLICABLE		MUST REMAIN WITHIN DIMENSIONS		MATERIAL NO. SEE TABLE		DATE 2008/12/10		TITLE IMPACT 4 PAIR RAM GUIDE RIGHT SIGNAL MODULE SALES DWG	
	APPROVED BY JL AURX		DATE 2008/12/11		APPROVED BY JL AURX		DATE 2008/12/12		DOCUMENT NO. SD-76500-004		SHEET NO. 2 OF 2	

molex

THIS DRAWING CONTAINS INFORMATION THAT IS PROPRIETARY TO MOLEX INCORPORATED AND SHOULD NOT BE USED WITHOUT WRITTEN PERMISSION