



Chipsmall Limited consists of a professional team with an average of over 10 year of expertise in the distribution of electronic components. Based in Hongkong, we have already established firm and mutual-benefit business relationships with customers from,Europe,America and south Asia,supplying obsolete and hard-to-find components to meet their specific needs.

With the principle of “Quality Parts,Customers Priority,Honest Operation,and Considerate Service”,our business mainly focus on the distribution of electronic components. Line cards we deal with include Microchip,ALPS,ROHM,Xilinx,Pulse,ON,Everlight and Freescale. Main products comprise IC,Modules,Potentiometer,IC Socket,Relay,Connector.Our parts cover such applications as commercial,industrial, and automotives areas.

We are looking forward to setting up business relationship with you and hope to provide you with the best service and solution. Let us make a better world for our industry!



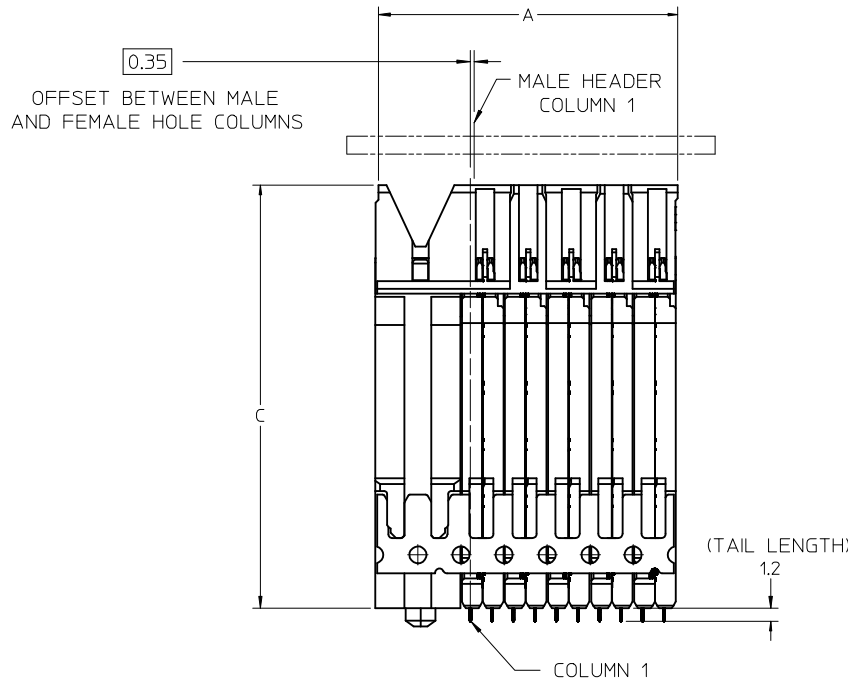
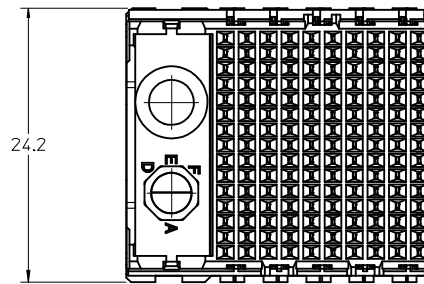
Contact us

Tel: +86-755-8981 8866 Fax: +86-755-8427 6832

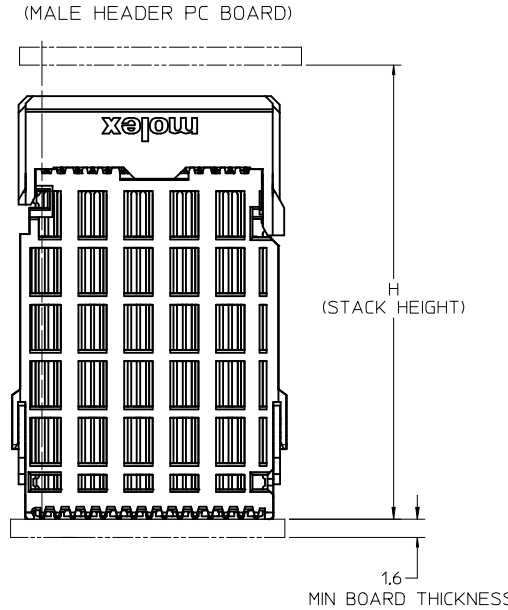
Email & Skype: info@chipsmall.com Web: www.chipsmall.com

Address: A1208, Overseas Decoration Building, #122 Zhenhua RD., Futian, Shenzhen, China





- NOTES:
1. MATERIALS: HOUSING - LIQUID CRYSTAL POLYMER (LCP), GLASS FILLED, UL94V-0
TERMINALS - HIGH PERFORMANCE COPPER ALLOY
 2. FINISH: 30 μ m MIN SELECTIVE GOLD IN CONTACT AREA.
SELECTIVE MATTE TIN ON PCB TAILS, NICKEL OVERALL.
 3. EACH SIGNAL WAFER CONTAINS TWO COLUMNS OF TERMINALS.
 4. PARTS SHALL BE PACKAGED IN TRAYS PER PACKAGING SPEC PK-70873-0040 (40mm)
OR PK-70873-0043 (38mm).
 5. FOR FURTHER INFORMATION SEE PRODUCT SPECIFICATION PS-76060-999
 6. THIS PART CONFORMS TO CLASS B REQUIREMENTS OF COSMETIC SPECIFICATION
PS-45499-002.
 7. PART SHOWN HAS AN OVERALL STACK HEIGHT OF 40mm. VARYING STACK HEIGHTS MAY
BE AVAILABLE UPON REQUEST.
 8. REFER TO MOLEX SALES DRAWING SD-76055-002 FOR THE MATING HEADERS.
 9. REFER TO MOLEX PCB ROUTING GUIDE AS-76060-990 FOR ANTIPAD AND ROUTING
RECOMMENDATIONS.
 10. CONNECTORS SUPPLIED WITH A MOUNTING SCREW.
 11. *THESE DIMENSIONS REPRESENT THE AREA NEEDED TO ACCOMMODATE CONNECTOR
INSERTION & REPAIR ON THE PC BOARD. THIS IS REFERRED TO AS THE
"CONNECTOR KEEP OUT ZONE" AND DOES NOT REPRESENT THE ACTUAL PERIMETER
OF THE CONNECTOR. WHEN LAYING OUT A PC BOARD WITH CONNECTORS STACKED
TOGETHER, USE A 1.9mm PROGRESSION.*



UPDATE PRINT EC NO: UCP2015-2453 DRWN:BJMILLER 2014/12/12 CHKD: APPR:TELO 2014/12/19 REV:	QUALITY SYMBOLS	GENERAL TOLERANCES (UNLESS SPECIFIED)	DIMENSION STYLE	SCALE	DESIGN UNITS	THIRD ANGLE PROJECTION
	▽=0	mm INCH	MM ONLY	3:1	METRIC	
	▽=0	4 PLACES ± --- ± ---	DRAWN BY DATE	TITLE IMPACT 5-PAIR VERTICAL MEZZANINE LEFT GUIDED SALES DWG molex		
	▽=0	3 PLACES ± --- ± ---	JJONIAK 2008/10/10			
	2 PLACES ± 0.13 ± ---	CHECKED BY DATE	DOCUMENT NO. SD-76530-002			
	1 PLACE ± 0.25 ± ---	TELO 2008/10/10				
	0 PLACE ± --- ± ---	APPROVED BY DATE	SHEET NO. 1 OF 2			
	ANGULAR ±1/2°	JLAURX 2010/11/04				
H2	DRAFT WHERE APPLICABLE MUST REMAIN WITHIN DIMENSIONS	SEE TABLE	THIS DRAWING CONTAINS INFORMATION THAT IS PROPRIETARY TO MOLEX INCORPORATED AND SHOULD NOT BE USED WITHOUT WRITTEN PERMISSION			

PART NUMBER	# OF COLUMNS	# OF DIFF PAIR	DIM "A"	DIM "B"	DIM "C"	STACK HEIGHT (H)
76530-***30	10	50	26.6	17.10	35.36	38.00
76530-***32	12	60	30.4	20.90	35.36	38.00
76530-***37	14	70	34.2	24.70	35.36	38.00
76530-***36	16	80	38.0	28.50	35.36	38.00
76530-***40	10	50	26.6	17.10	37.36	40.00
76530-***42	12	60	30.4	20.90	37.36	40.00
76530-***47	14	70	34.2	24.70	37.36	40.00
76530-***46	16	80	38.0	28.50	37.36	40.00

76530-***

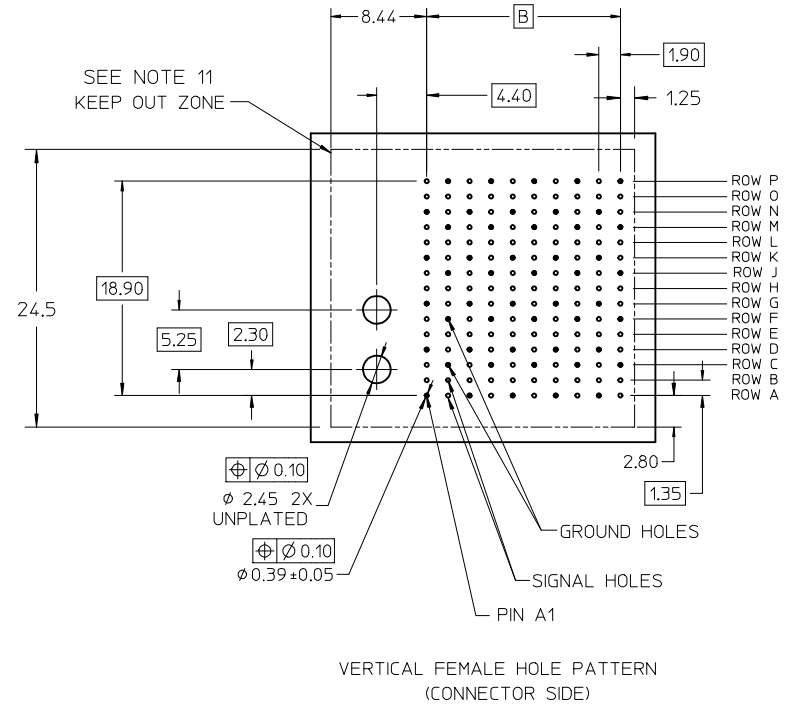
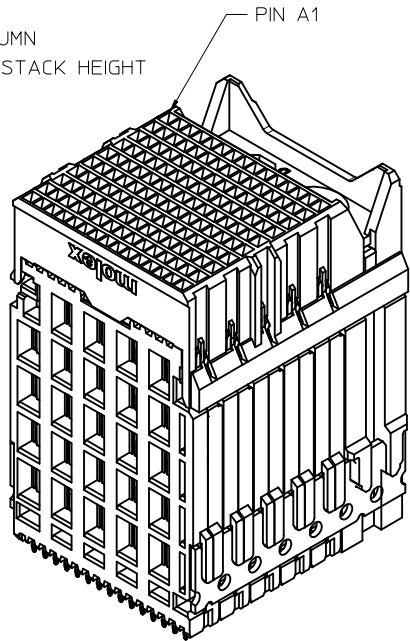
MODULE & TAIL PLATING TYPE
3 = LEFT GUIDED LEAD-FREE

OF COLUMNS
0 = 10 COL MICRO COMPLIANT
2 = 12 COL MICRO COMPLIANT
6 = 16 COL MICRO COMPLIANT
7 = 14 COL MICRO COMPLIANT

POLARIZATION KEY ORIENTATION
0 = NO KEY
1 = A 5 = E
2 = B 6 = F
3 = C 7 = G
4 = D 8 = H

STACK HEIGHT
3 = 38mm
4 = 40mm

10 COLUMN
40 MM STACK HEIGHT



VERTICAL FEMALE HOLE PATTERN
(CONNECTOR SIDE)

SEE SHEET 1 IEC NO: UCP2015-2453 DRW: BJMILLER 2014/12/12 CHKD: APPR: TELO 2014/12/19	QUALITY SYMBOLS	GENERAL TOLERANCES (UNLESS SPECIFIED)	DIMENSION STYLE MM ONLY	SCALE 3:1	DESIGN UNITS METRIC	THIRD ANGLE PROJECTION
	▽=0	mm INCH	DRAWN BY JJONIAK	DATE 2008/10/10	TITLE IMPACT 5-PAIR VERTICAL MEZZANINE LEFT GUIDED SALES DWG molex DOCUMENT NO. SD-76530-002 SHEET NO. 2 OF 2	
	▽=0	4 PLACES ± --- ± ---	CHECKED BY TELO	DATE 2008/10/10		
	▽=0	3 PLACES ± --- ± ---	APPROVED BY JLAURX	DATE 2010/11/04		
▽=0	2 PLACES ± 0.13 ± ---	MATERIAL NO.	SEE TABLE			
		1 PLACE ± 0.25 ± ---	DRAFT WHERE APPLICABLE MUST REMAIN WITHIN DIMENSIONS			
		0 PLACE ± --- ± ---	ANGULAR ±1/2°			
			SIZE C			