



Chipsmall Limited consists of a professional team with an average of over 10 year of expertise in the distribution of electronic components. Based in Hongkong, we have already established firm and mutual-benefit business relationships with customers from,Europe,America and south Asia,supplying obsolete and hard-to-find components to meet their specific needs.

With the principle of “Quality Parts,Customers Priority,Honest Operation,and Considerate Service”,our business mainly focus on the distribution of electronic components. Line cards we deal with include Microchip,ALPS,ROHM,Xilinx,Pulse,ON,Everlight and Freescale. Main products comprise IC,Modules,Potentiometer,IC Socket,Relay,Connector.Our parts cover such applications as commercial,industrial, and automotives areas.

We are looking forward to setting up business relationship with you and hope to provide you with the best service and solution. Let us make a better world for our industry!



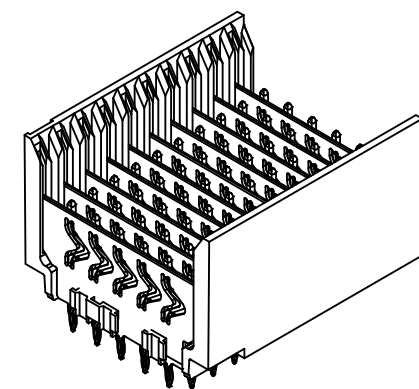
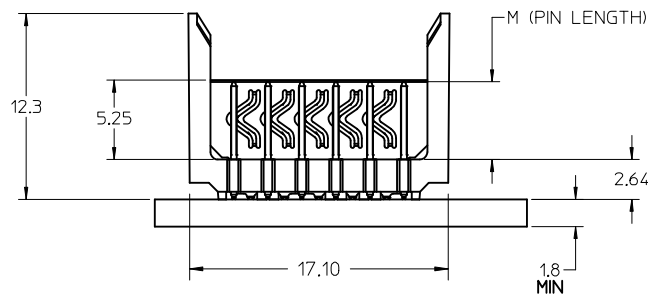
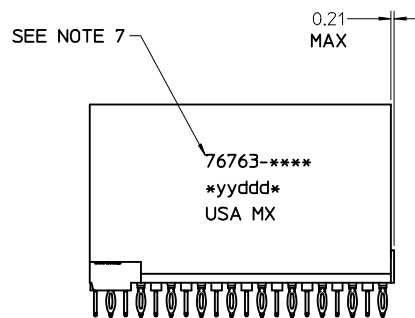
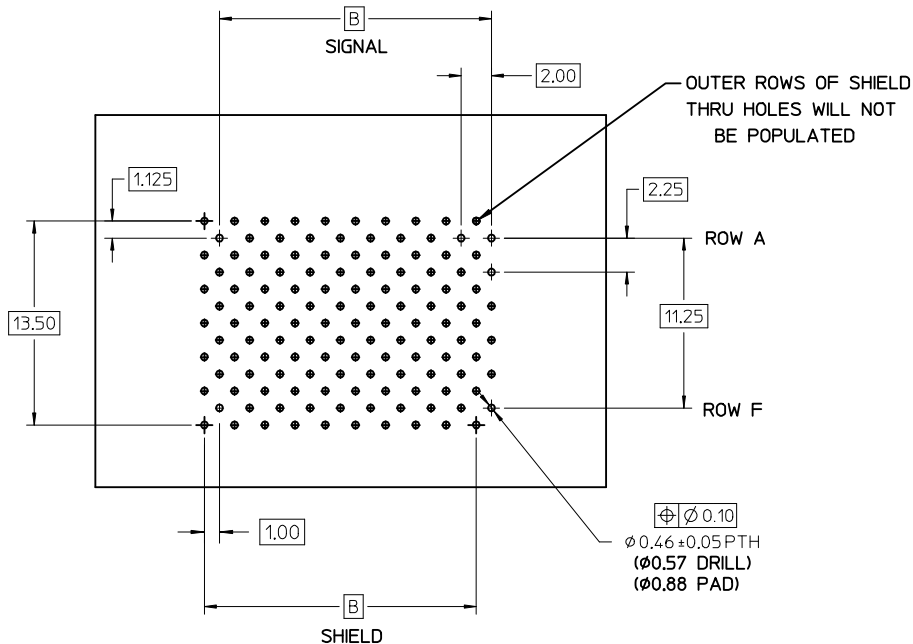
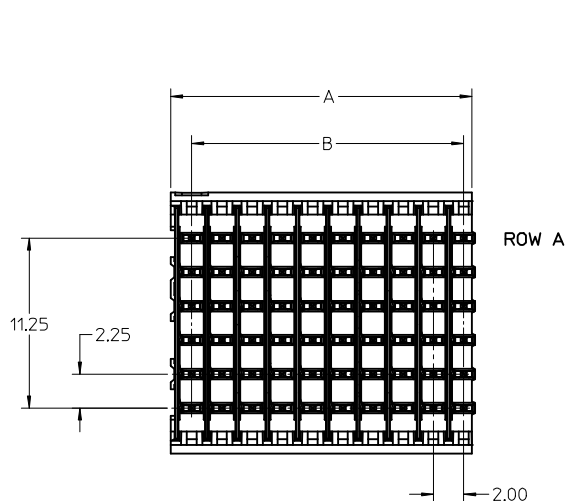
Contact us

Tel: +86-755-8981 8866 Fax: +86-755-8427 6832

Email & Skype: info@chipsmall.com Web: www.chipsmall.com

Address: A1208, Overseas Decoration Building, #122 Zhenhua RD., Futian, Shenzhen, China

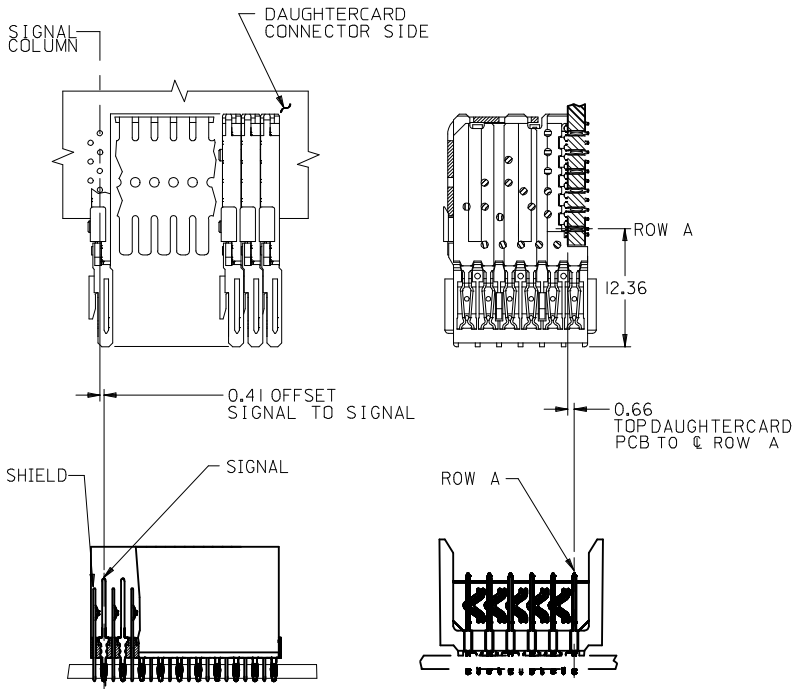




NOTES:

1. MATERIALS:
HOUSING - LIQUID CRYSTAL POLYMER (LCP)
GLASS FILLED, UL94V-0, BLACK
SIGNAL PIN AND SHIELD - COPPER ALLOY
2. FINISHES:
CONTACT AREA - SELECTIVE GOLD (Au)
PCB TAILS - SELECTIVE MATTE TIN (Sn)
3. THIS PART CONFORMS TO MOLEX PRODUCT SPECIFICATION PS-74031-999.
4. FOR MIXED CONTACT LENGTH CONTACT MOLEX FOR AVAILABILITY.
5. FOR SPECIFIC MATERIAL NUMBERS AND MATING INFORMATION REFER TO SHEET 2.
6. PACKAGE PER PK-74057-003.
7. ASSEMBLY WILL BE MARKED WITH P/N AND DATE CODE WITH LASER MARK ON SIDE OF HOUSING OR BY LABEL ON THE TUBE.
8. MAPS (MOLEX ADVANCED PLATING SYSTEM)

UPDATE HOUSING EC NO: UCP2016-3618 2016/03/21 DRW:VANG01 CHK:DMORGAN 2016/03/21 APPR:SMILLER 2016/04/13	DESCRIPTION REV	QUALITY SYMBOLS	GENERAL TOLERANCES (UNLESS SPECIFIED)		DIMENSION STYLE	SCALE	DESIGN UNITS	THIRD ANGLE PROJECTION	
			mm	INCH	MM ONLY	4:1	METRIC		
G			4 PLACES	± ---	± ---	DRAWN BY	DATE	TITLE VHDM H-SERIES 6 ROW OPEN END BACKPLANE SALES DRAWING DOCUMENT NO. SD-76763-001	
			3 PLACES	± ---	± ---	CHECKED BY	DATE		
			2 PLACES	± 0.15	± ---	JJONIAK	2008/07/09		
			1 PLACE	± 0.25	± ---	APPROVED BY	DATE		
			0 PLACE	± ---	± ---	SMILLER	2010/03/09		
			ANGULAR ±1/2°		MATERIAL NO.	DOCUMENT NO.		SHEET NO.	
			DRAFT WHERE APPLICABLE MUST REMAIN WITHIN DIMENSIONS		SEE SHT.2	SD-76763-001		1 OF 2	
					SIZE	THIS DRAWING CONTAINS INFORMATION THAT IS PROPRIETARY TO MOLEX. INCORPORATED AND SHOULD NOT BE USED WITHOUT WRITTEN PERMISSION			



LEAD FREE CHART

PART NUMBER	COLUMN	NUMBER OF SIGNAL PIN	NUMBER OF SHIELD	A	B	M	GOLD THICKNESS MICROMETER	TIN THICKNESS MICROMETER
76763-6001	10	60	10	20.00	18.00	4.75	0.25 MAPS	0.76-152
76763-9001							0.76	
76763-9006							1.27	
76763-6501	15	90	15	30.00	28.00		0.25 MAPS	
76763-9501							0.76	
76763-9506							1.27	
76763-7001	25	150	25	50.00	48.00	0.25 MAPS		
76763-8501						0.76		
76763-8506						1.27		
76763-6002	10	60	10	20.00	18.00	0.25 MAPS		
76763-9002						0.76		
76763-9007						1.27		
76763-6502	15	90	15	30.00	28.00	0.25 MAPS		
76763-9502						0.76		
76763-9507						1.27		
76763-7002	25	150	25	50.00	48.00	0.25 MAPS		
76763-8502						0.76		
76763-8507						1.27		
76763-6003	10	60	10	20.00	18.00	0.25 MAPS		
76763-9003						0.76		
76763-9008						1.27		
76763-6503	15	90	15	30.00	28.00	0.25 MAPS		
76763-9503						0.76		
76763-9508						1.27		
76763-7003	25	150	25	50.00	48.00	0.25 MAPS		
76763-8503						0.76		
76763-8508						1.27		
76763-6004	10	60	10	20.00	18.00	0.25 MAPS		
76763-9004						0.76		
76763-9009						1.27		
76763-6504	15	90	15	30.00	28.00	0.25 MAPS		
76763-9504						0.76		
76763-9509						1.27		
76763-7004	25	150	25	50.00	48.00	0.25 MAPS		
76763-8504						0.76		
76763-8509						1.27		

MATERIAL NUMBER ASSIGNMENT

76763-**-**

SEE TABLES

- NUMBER OF COLUMNS/PLATING
- 10 = 10 COLUMN MATTE TIN (FORMERLY TIN/LEAD)
 - 15 = 15 COLUMN MATTE TIN (FORMERLY TIN/LEAD)
 - 25 = 25 COLUMN MATTE TIN (FORMERLY TIN/LEAD)
 - 60 = 10 COLUMN MATTE TIN (MAPS)
 - 65 = 15 COLUMN MATTE TIN (MAPS)
 - 70 = 25 COLUMN MATTE TIN (MAPS)
 - 90 = 10 COLUMN MATTE TIN
 - 95 = 15 COLUMN MATTE TIN
 - 85 = 25 COLUMN MATTE TIN

LEAD FREE (FORMERLY TIN/LEAD) CHART

PART NUMBER	COLUMN	NUMBER OF SIGNAL PIN	NUMBER OF SHIELD	A	B	M	GOLD THICKNESS MICROMETER	TIN THICKNESS MICROMETER
76763-1001	10	60	10	20.00	18.00	4.75	0.76	0.76-152
76763-1006							1.27	
76763-1501							15	
76763-1506	1.27							
76763-2501	25	150	25	50.00	48.00			
76763-2506							1.27	
76763-1002						10	60	
76763-1007	1.27							
76763-1502	15	90	15	30.00	28.00			
76763-1507						1.27		
76763-2502						25	150	
76763-2507	1.27							
76763-1003	10	60	10	20.00	18.00			
76763-1008						1.27		
76763-1503						15	90	
76763-1508	1.27							
76763-2503	25	150	25	50.00	48.00			
76763-2508						1.27		
76763-1004						10	60	10
76763-1009	1.27							
76763-1504	15	90	15	30.00	28.00			
76763-1509						1.27		
76763-2504						25	150	25
76763-2509	1.27							

SEE SHEET 1
 EC NO: UCP2016-3618
 DRWNSVANG01 2016/03/21
 CHKDDMORGAN 2016/03/21
 APPR:SMILLER 2016/04/13

QUALITY SYMBOLS

REVISIONS

GENERAL TOLERANCES (UNLESS SPECIFIED)

mm		INCH	
4 PLACES	± ---	± ---	
3 PLACES	± ---	± ---	
2 PLACES	± 0.15	± ---	
1 PLACE	± 0.25	± ---	
0 PLACE	± ---	± ---	

ANGULAR ±1/2°

DRAFT WHERE APPLICABLE MUST REMAIN WITHIN DIMENSIONS

DIMENSION STYLE MM ONLY

SCALE 2:1

DESIGN UNITS METRIC

THIRD ANGLE PROJECTION

DRAWN BY J JONIAK DATE 2008/07/09

CHECKED BY J JONIAK DATE 2008/07/09

APPROVED BY SMILLER DATE 2010/03/09

SEE TABLE

VHDM H-SERIES 6 ROW OPEN END BACKPLANE SALES DRAWING

molex

DOCUMENT NO. SD-76763-001

SHEET NO. 2 OF 2

THIS DRAWING CONTAINS INFORMATION THAT IS PROPRIETARY TO MOLEX INCORPORATED AND SHOULD NOT BE USED WITHOUT WRITTEN PERMISSION