



Chipsmall Limited consists of a professional team with an average of over 10 year of expertise in the distribution of electronic components. Based in Hongkong, we have already established firm and mutual-benefit business relationships with customers from,Europe,America and south Asia,supplying obsolete and hard-to-find components to meet their specific needs.

With the principle of “Quality Parts,Customers Priority,Honest Operation,and Considerate Service”,our business mainly focus on the distribution of electronic components. Line cards we deal with include Microchip,ALPS,ROHM,Xilinx,Pulse,ON,Everlight and Freescale. Main products comprise IC,Modules,Potentiometer,IC Socket,Relay,Connector.Our parts cover such applications as commercial,industrial, and automotives areas.

We are looking forward to setting up business relationship with you and hope to provide you with the best service and solution. Let us make a better world for our industry!



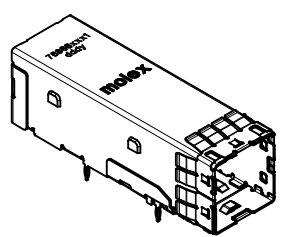
## Contact us

Tel: +86-755-8981 8866 Fax: +86-755-8427 6832

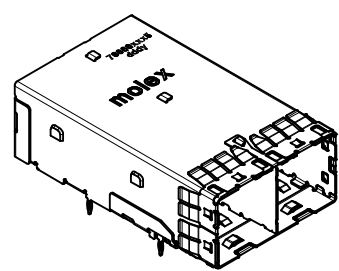
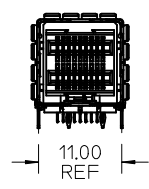
Email & Skype: info@chipsmall.com Web: www.chipsmall.com

Address: A1208, Overseas Decoration Building, #122 Zhenhua RD., Futian, Shenzhen, China

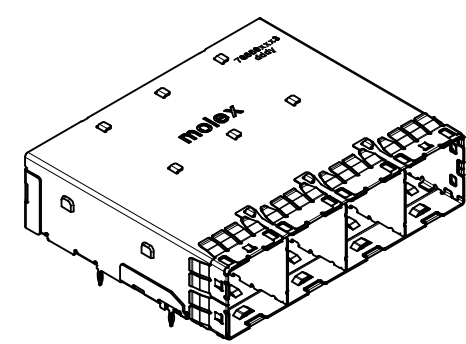
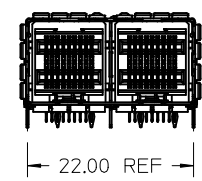




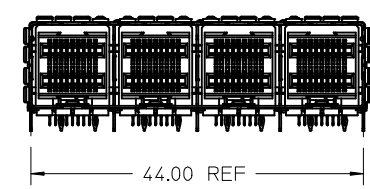
1x1



1x2



1x4

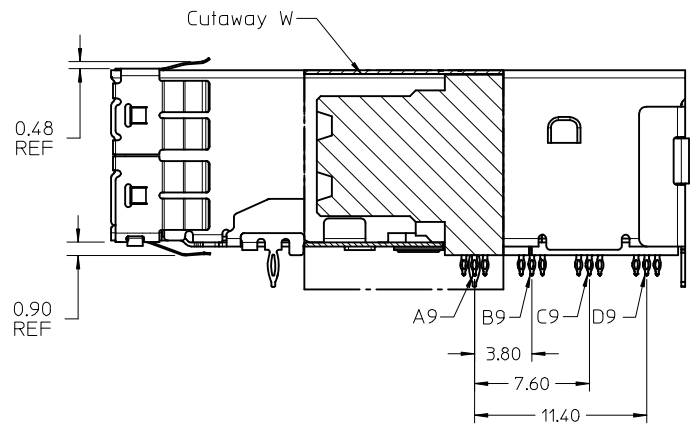
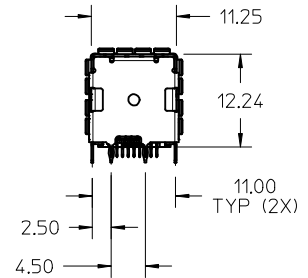
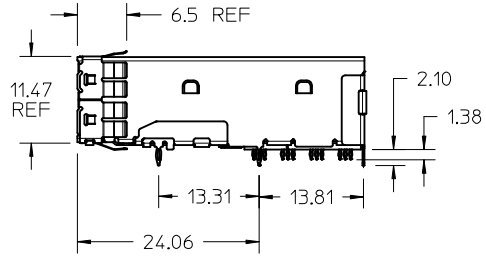
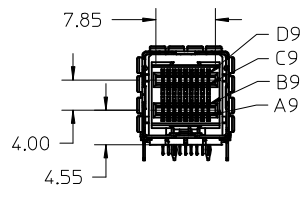
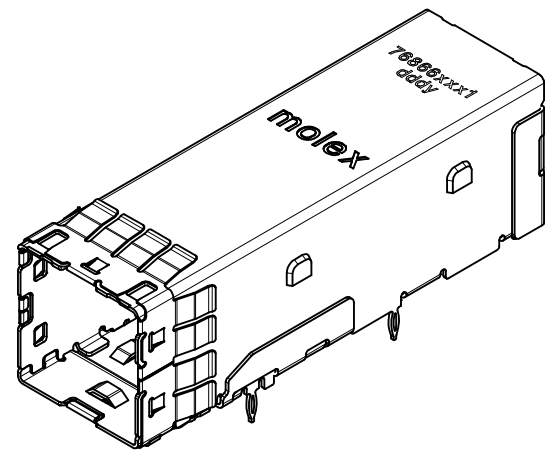
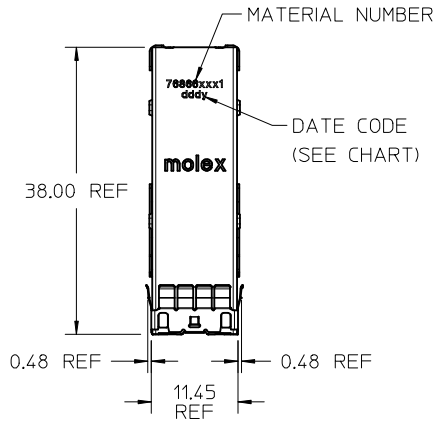


NOTES:

1. MATERIALS:  
 CONNECTOR HOUSING: HIGH TEMPERATURE THERMOPLASTIC  
 GLASS FILLED, UL 94V-0  
 EMI CAGE: NICKEL SILVER ALLOY  
 EMI CAGE BASE: STAINLESS STEEL  
 EMI FINGERS: COPPER ALLOY  
 TERMINALS: COPPER ALLOY
2. FINISHES:  
 EMI FINGERS: 0.50µM MIN NICKEL  
 CONTACT AREA: 0.76µM MIN GOLD OVER 3.81µM MIN NICKEL  
 TAIL AREA: 0.76µM-1.52µM TIN OVER 1.27µM MIN NICKEL
3. PRODUCT SPECIFICATION: PS-76866-001
4. PACKAGING SPECIFICATION: PK-76866-001
5. MATES WITH: MOLEX CABLE SERIES 111068, 111073, 111074, & 111075
6. RECOMMENDED MOUNTING HARDWARE: REFER TO APPLICATION SPECIFICATION AS-76866-001
7. THIS PART CONFORMS TO CLASS C REQUIREMENTS OF MOLEX COSMETIC SPECIFICATION PS-45499-002
8. PLUG MODULE PCB LAYOUT REFER TO SD-76866-9900

CONFIGURATION	MATERIAL NO.
1 x 1	76866-1011
1 x 2	76866-1015
1 x 4	76866-1013

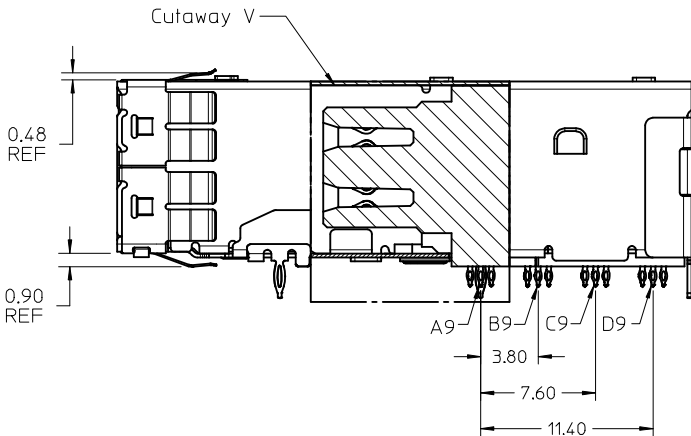
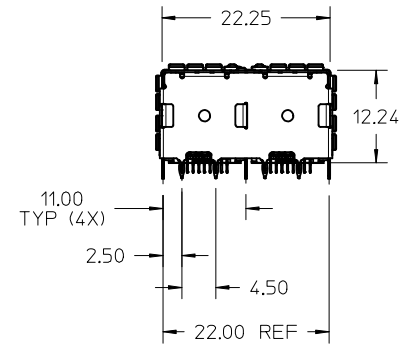
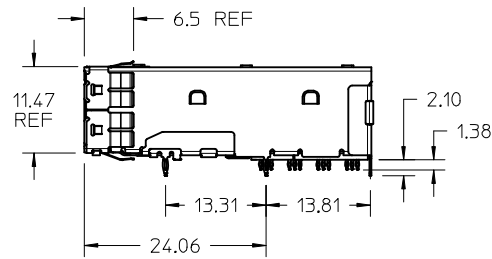
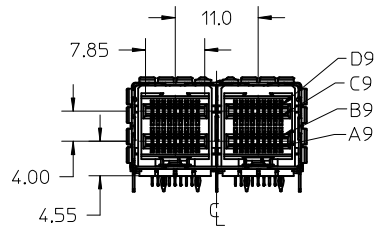
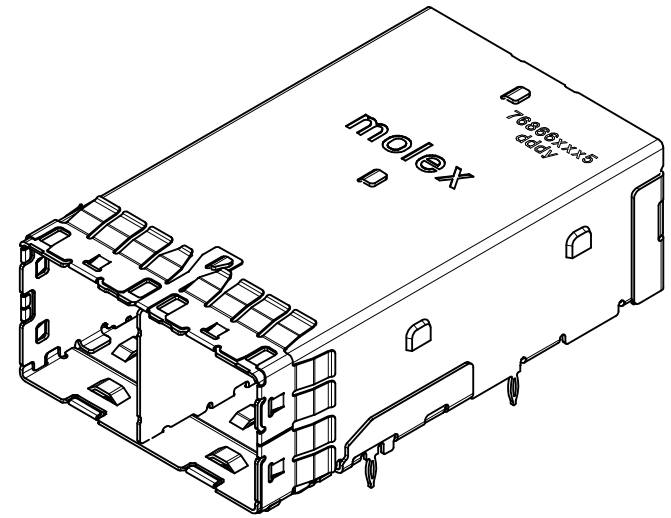
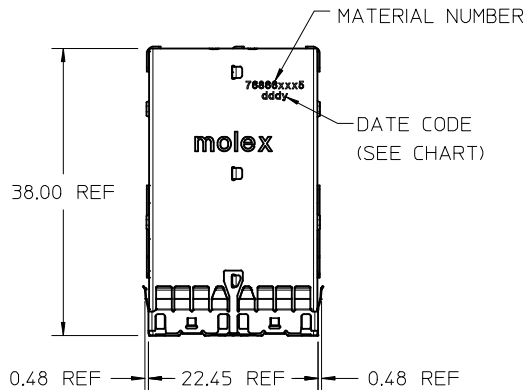
REVD ASSY DIMS IEC NO: UCP2017-1144 DRW: TMCCLELL 2016/11/17 CHKD: TMCCLELLAND 2016/11/17 APPR: TMCCLELL 2016/11/17	QUALITY SYMBOLS ▽=0 ▽=0 ▽=0	GENERAL TOLERANCES (UNLESS SPECIFIED)		DIMENSION STYLE <b>MM ONLY</b>		SCALE <b>2:1</b>	DESIGN UNITS <b>METRIC</b>	THIRD ANGLE PROJECTION  <b>molex</b> DOCUMENT NO. <b>SD-76866-1000</b> SHEET NO. <b>1 OF 12</b>	
				DRAWN BY KLANG	DATE 2011/09/29	TITLE <b>IPASS PLUS HD - 12G EXTERNAL</b>			
				CHECKED BY TMCCLELLAND	DATE 2013/07/31				
				APPROVED BY MBANAKIS	DATE 2013/08/01				
		ANGULAR ±1/2°		SIZE <b>C</b>					
		DRAFT WHERE APPLICABLE MUST REMAIN WITHIN DIMENSIONS		THIS DRAWING CONTAINS INFORMATION THAT IS PROPRIETARY TO MOLEX. INCORPORATED AND SHOULD NOT BE USED WITHOUT WRITTEN PERMISSION					



# 1X1 ASSEMBLY

MEXICO	DDDYY
CHINA	MSHDDYY
MANUFACTURING LOCATION	DATE CODE
DESIGN UNITS METRIC	THIRD ANGLE PROJECTION

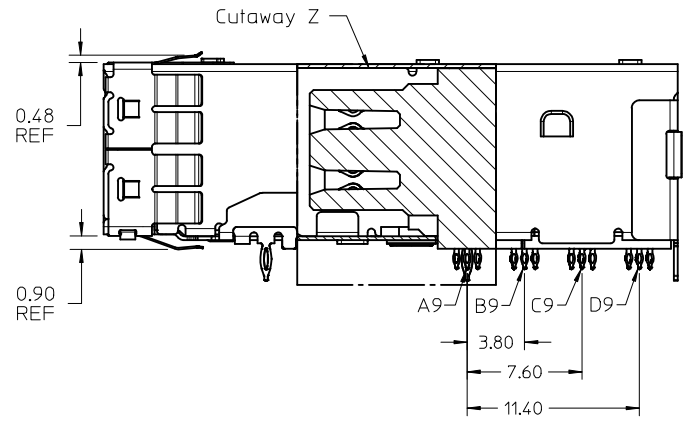
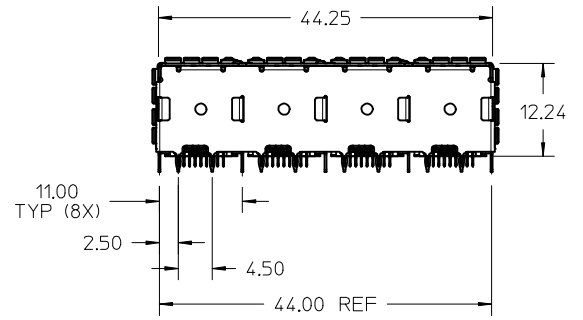
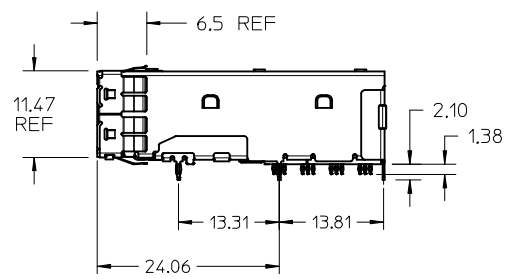
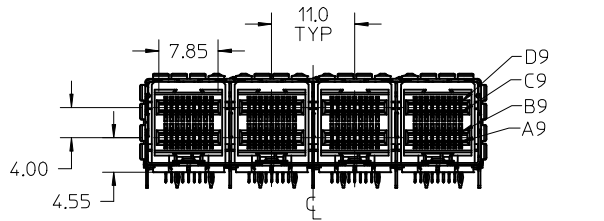
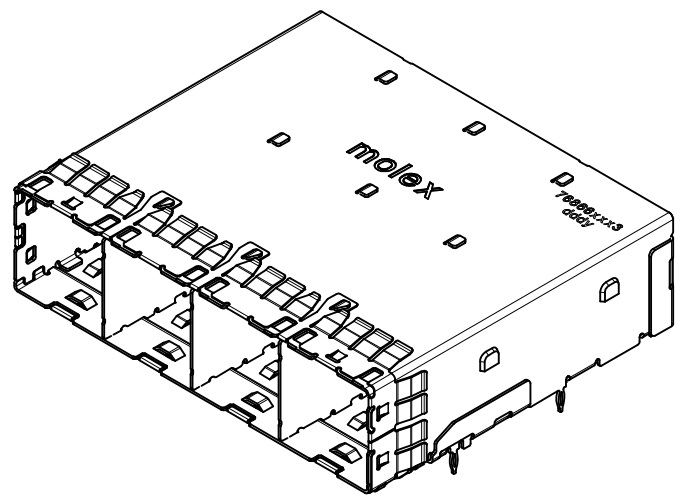
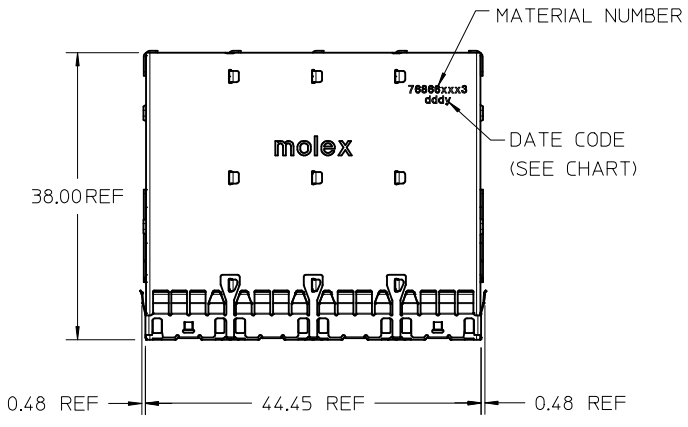
<b>SEE SHEET 1</b> EC NO: UCP2017-1144 DRWN:TMCCLELL 2016/11/17 CHKD:TMCCLELLAND 2016/11/17 APPR:TMCCLELL 2016/11/17	QUALITY SYMBOLS	GENERAL TOLERANCES (UNLESS SPECIFIED)	DIMENSION STYLE MM ONLY	SCALE 2:1
	▽=0	4 PLACES ± --- ± ---	DRAWN BY DATE KLANG 2011/09/29	IPASS PLUS HD - 12G EXTERNAL <b>molex</b> DOCUMENT NO. SD-76866-1000 SHEET NO. 2 OF 12
	▽=0	3 PLACES ± --- ± ---	CHECKED BY DATE TMCCLELLAND 2013/07/31	
	▽=0	2 PLACES ± 0.13 ± ---	APPROVED BY DATE MBANAKIS 2013/08/01	
	1 PLACE ± 0.25 ± ---	MATERIAL NO.		
	0 PLACE ± ±	ANGULAR ±1/2°	SEE CHART	
		DRAFT WHERE APPLICABLE MUST REMAIN WITHIN DIMENSIONS	SIZE C	THIS DRAWING CONTAINS INFORMATION THAT IS PROPRIETARY TO MOLEX INCORPORATED AND SHOULD NOT BE USED WITHOUT WRITTEN PERMISSION



# 1X2 ASSEMBLY

MEXICO	DDDY
CHINA	MSHDDDY
MANUFACTURING LOCATION	DATE CODE
DESIGN UNITS METRIC	THIRD ANGLE PROJECTION

<b>SEE SHEET 1</b> EC NO: UCP2017-1144 DRWN:TMCCLELL 2016/11/17 CHKD:TMCCLELLAND 2016/11/17 APPR:TMCCLELL 2016/11/17	QUALITY SYMBOLS 	GENERAL TOLERANCES (UNLESS SPECIFIED)		DIMENSION STYLE <b>MM ONLY</b>		SCALE <b>2:1</b>	TITLE <b>IPASS PLUS HD - 12G EXTERNAL</b>	
		4 PLACES ± --- ± --- 3 PLACES ± --- ± --- 2 PLACES ± 0.13 ± --- 1 PLACE ± 0.25 ± --- 0 PLACE ± ±	mm INCH ± --- ± --- ± 0.13 ± --- ± 0.25 ± --- ± ±	DRAWN BY KLANG	DATE 2011/09/29	CHECKED BY TMCCLELLAND		DATE 2013/07/31
<b>B1</b>	DESCRIPTION IPASS PLUS HD - 12G EXTERNAL	ANGULAR ±1/2°		DRAFT WHERE APPLICABLE MUST REMAIN WITHIN DIMENSIONS		MATERIAL NO. <b>SEE CHART</b>	DOCUMENT NO. <b>SD-76866-1000</b>	SHEET NO. <b>3 OF 12</b>

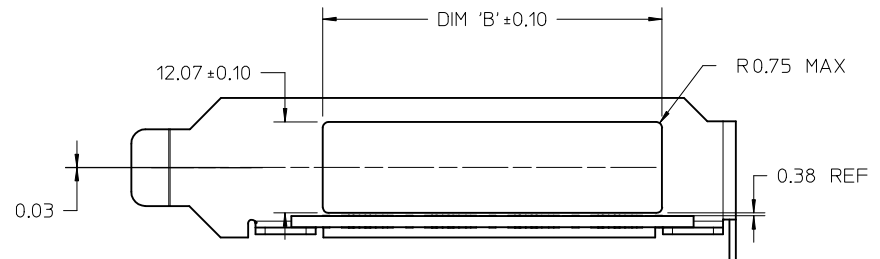
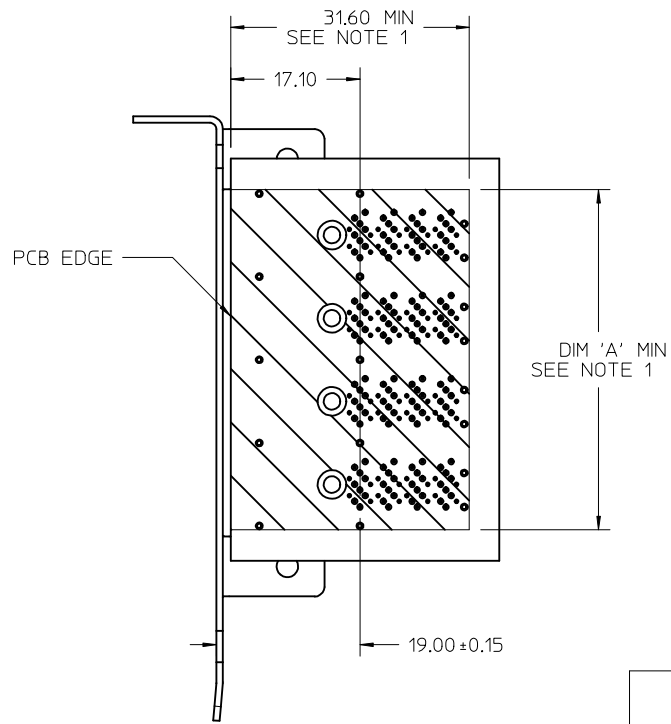
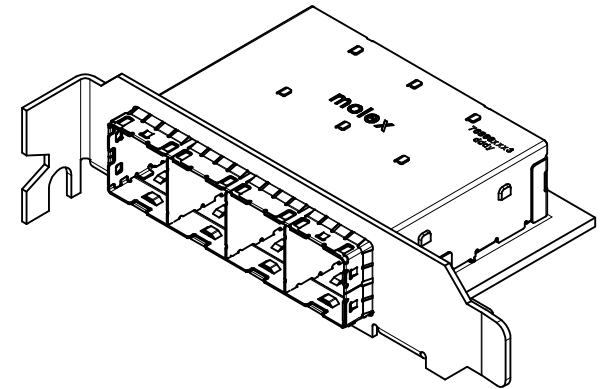
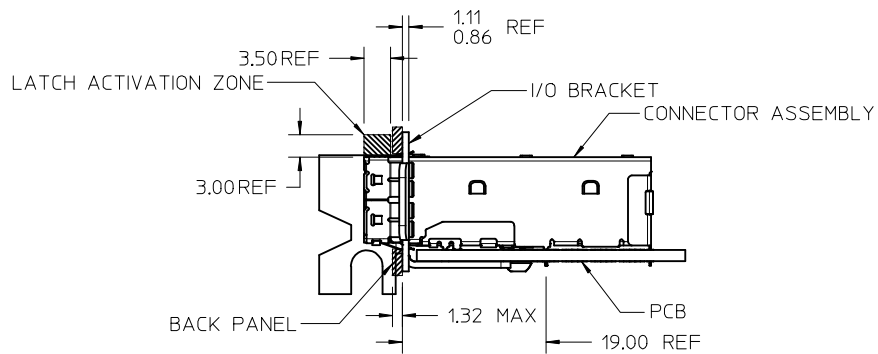


# 1X4 ASSEMBLY

MEXICO	DDDY
CHINA	MSHDDDY
MANUFACTURING LOCATION	DATE CODE
DESIGN UNITS METRIC	THIRD ANGLE PROJECTION

SEE SHEET 1 EC NO: UCP2017-1144 DRWN:TMCCLELL 2016/11/17 CHKD:TMCCLELLAND 2016/11/17 APPR:TMCCLELL 2016/11/17	QUALITY SYMBOLS ▽=0 ▽=0 ▽=0	GENERAL TOLERANCES (UNLESS SPECIFIED)		DIMENSION STYLE MM ONLY		SCALE 2:1	DESIGN UNITS METRIC		IPASS PLUS HD - 12G EXTERNAL	SHEET NO. 4 OF 12
		DRAFT WHERE APPLICABLE MUST REMAIN WITHIN DIMENSIONS		DRAWN BY DATE KLANG 2011/09/29		CHECKED BY DATE TMCCLELLAND 2013/07/31		APPROVED BY DATE MBANAKIS 2013/08/01		
B1	REV	MATERIAL NO. SEE CHART		MATERIAL NO. SEE CHART		DOCUMENT NO. SD-76866-1000		THIS DRAWING CONTAINS INFORMATION THAT IS PROPRIETARY TO MOLEX. INCORPORATED AND SHOULD NOT BE USED WITHOUT WRITTEN PERMISSION		

# PCI ADD-IN CARD APPLICATION

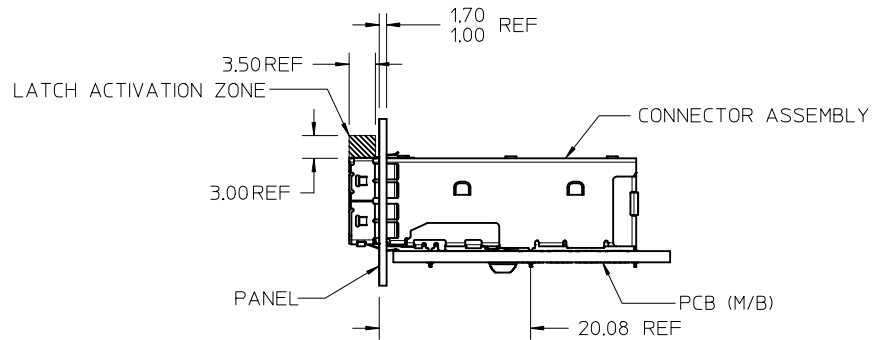


CONFIGURATION	DIM 'A' (MIN)	DIM 'B' (±0.10)
1 X 1	12.00	11.90
1 X 2	23.00	22.90
1 X 4	45.00	44.90

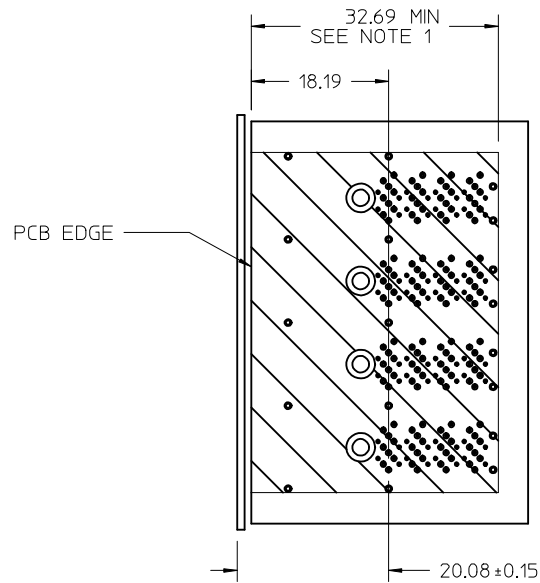
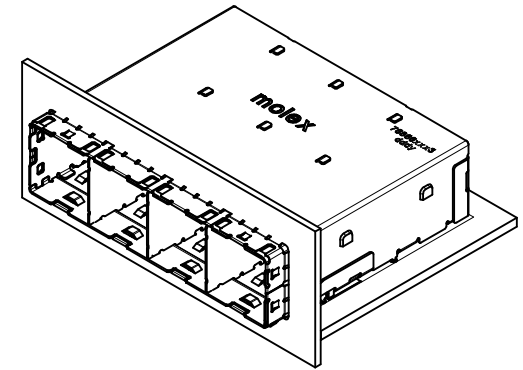
SEE SHEET 1 IEC NO: UCP2017-1144 DRWN:TMCCLELL 2016/11/17 CHKD:TMCCLELLAND 2016/11/17 APPR:TMCCLELL 2016/11/17	QUALITY SYMBOLS	GENERAL TOLERANCES (UNLESS SPECIFIED)	DIMENSION STYLE	SCALE	DESIGN UNITS	THIRD ANGLE PROJECTION  <b>IPASS PLUS HD - 12G EXTERNAL</b>  <b>molex</b>  DOCUMENT NO. SD-76866-1000 SHEET NO. 5 OF 12
	▽=0	mm INCH	MM ONLY	2:1	METRIC	
	▽=0	4 PLACES ± --- ± ---	DRAWN BY DATE	SEE CHART THIS DRAWING CONTAINS INFORMATION THAT IS PROPRIETARY TO MOLEX INCORPORATED AND SHOULD NOT BE USED WITHOUT WRITTEN PERMISSION		
	▽=0	3 PLACES ± --- ± ---	KLANG 2011/09/29			
REV	DESCRIPTION	ANGULAR ±1/2°	MATERIAL NO.			
B1		DRAFT WHERE APPLICABLE MUST REMAIN WITHIN DIMENSIONS	MBANAK IS 2013/08/01			

NOTES:  
1. CONNECTOR KEEP OUT ZONE: PCB COMPONENTS ARE NOT ALLOWED IN THIS AREA.

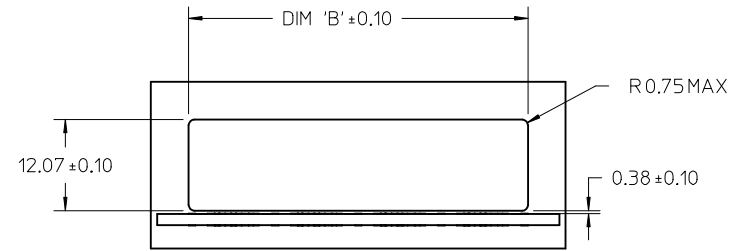
# MOTHERBOARD APPLICATION



ASSEMBLED VIEW



PCB TO PANEL VIEW



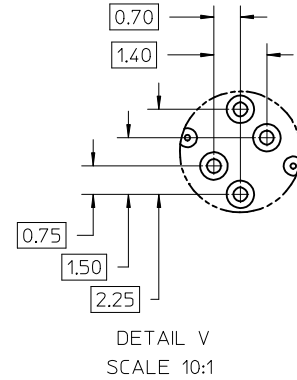
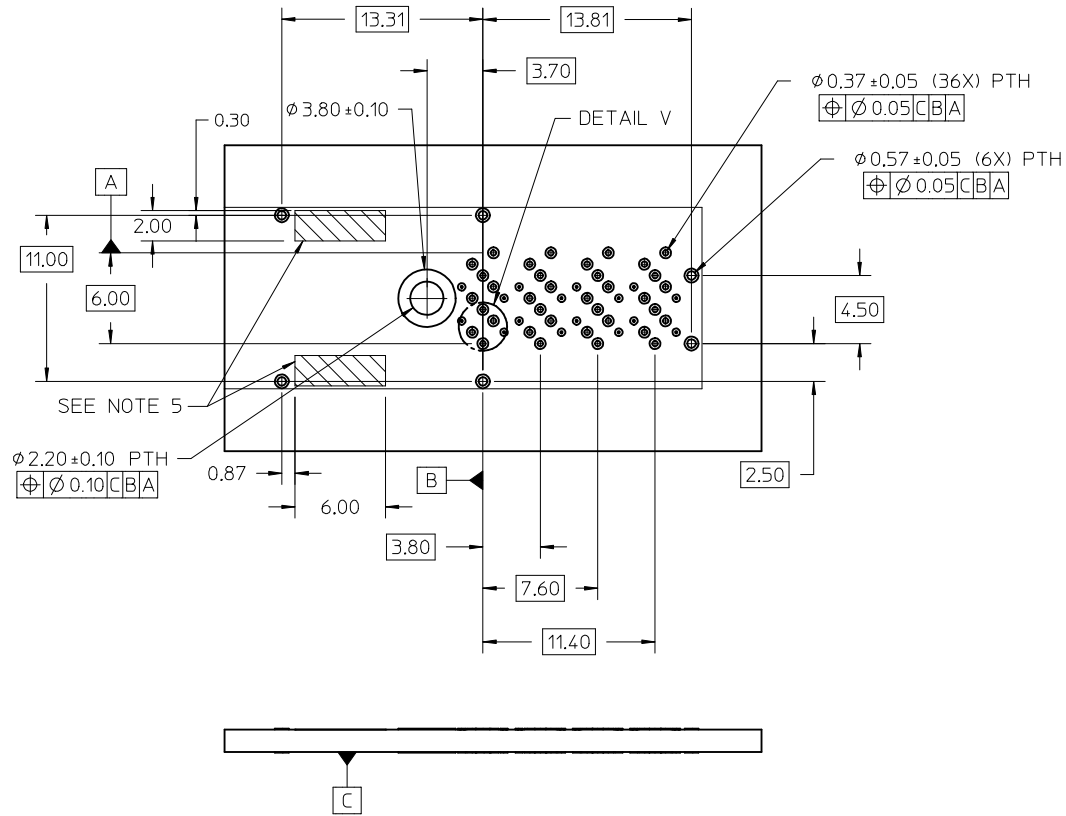
PANEL CUT OUT

CONFIGURATION	DIM 'A' (MIN)	DIM 'B' (±0.10)
1 X 1	12.00	11.90
1 X 2	23.00	22.90
1 X 4	45.00	44.90

- NOTES:
- CONNECTOR KEEP OUT ZONE: PCB COMPONENTS ARE NOT ALLOWED IN THIS AREA.

SEE SHEET 1 EC NO: UCP2017-1144 DRWN: TMCCLELL 2016/11/17 CHKD: TMCCLELLAND 2016/11/17 APPR: TMCCLELL 2016/11/17	QUALITY SYMBOLS ∇=0 ∇=0 ∇=0	GENERAL TOLERANCES (UNLESS SPECIFIED)		DIMENSION STYLE <b>MM ONLY</b>		SCALE 2:1	DESIGN UNITS METRIC	THIRD ANGLE PROJECTION
		4 PLACES ± --- ± --- 3 PLACES ± --- ± --- 2 PLACES ± 0.13 ± --- 1 PLACE ± 0.25 ± --- 0 PLACE ± ±	mm INCH DRAWN BY DATE KLANG 2011/09/29 CHECKED BY DATE TMCCLELLAND 2013/07/31 APPROVED BY DATE MBANAKIS 2013/08/01	TITLE <b>IPASS PLUS HD - 12G EXTERNAL</b>		DOCUMENT NO. <b>SD-76866-1000</b>		SHEET NO. 6 OF 12
DRAFT WHERE APPLICABLE MUST REMAIN WITHIN DIMENSIONS		ANGULAR ±1/2°		SEE CHART		THIS DRAWING CONTAINS INFORMATION THAT IS PROPRIETARY TO MOLEX. INCORPORATED AND SHOULD NOT BE USED WITHOUT WRITTEN PERMISSION		

# 1X1 RECOMMENDED FOOTPRINT

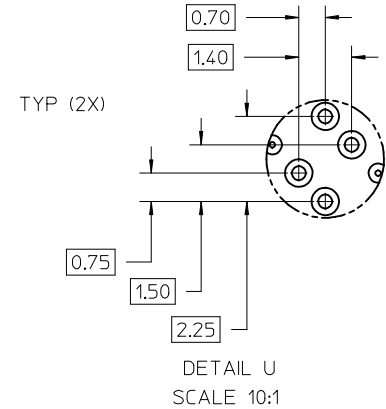
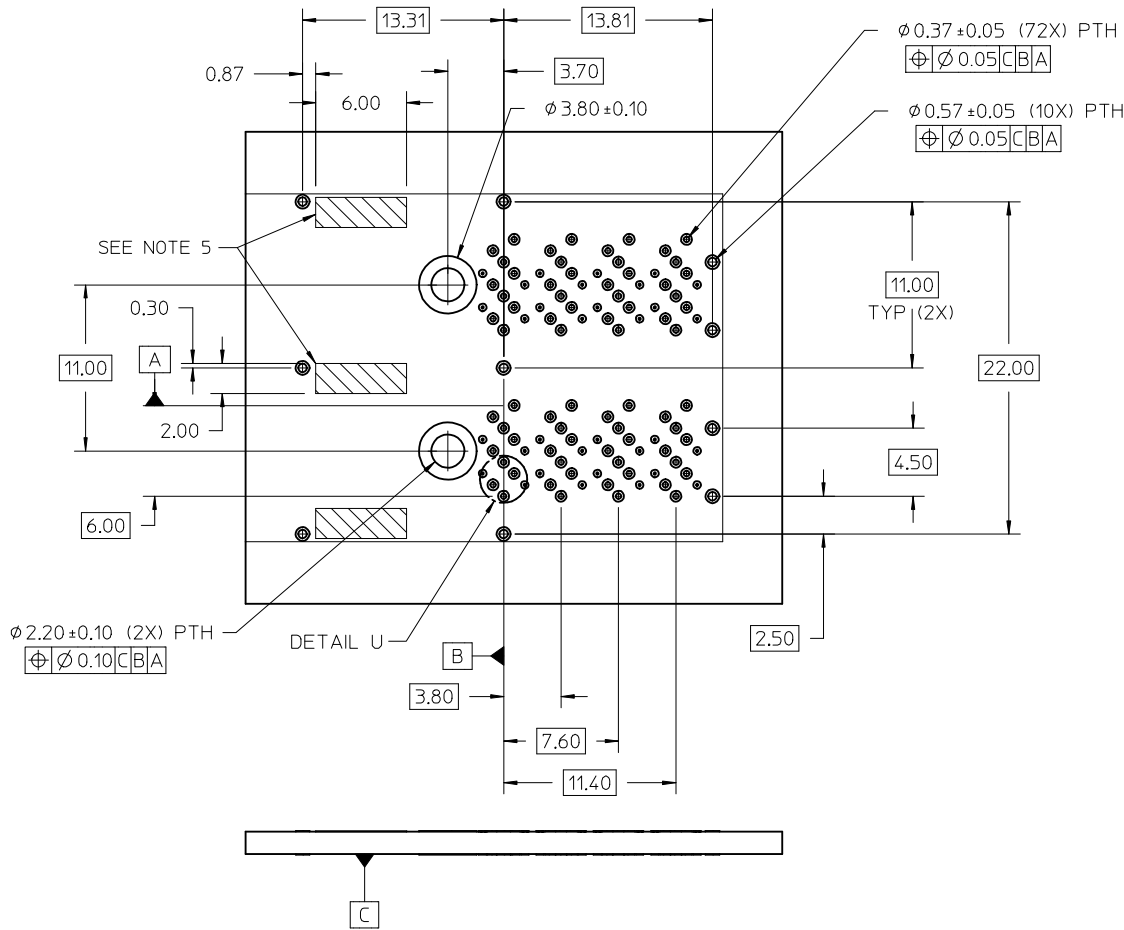


- NOTES:
1. RECOMMENDED DRILL & ANNULAR RING SIZE FOR 0.37 $\phi$  FINISHED PTH - REFER TO APPLICATION SPECIFICATION AS-76866-001
  2. MINIMUM RECOMMENDED SPACING: 14.00MM
  4. MINIMUM PCB THICKNESS: 1.57MM
  4. RECOMMENDED DRILL & ANNULAR RING SIZE FOR 0.57 $\phi$  FINISHED PTH - REFER TO APPLICATION SPECIFICATION AS-76866-001
  5. CAGE KEEP OUT ZONE: TRACES AND VIAS ARE NOT ALLOWED ON SURFACE OF PCB IN THESE AREAS.

SEE SHEET 1 EC NO: UCP2017-1144 DRWN:TMCCLELL 2016/11/17 CHKD:TMCCLELLAND 2016/11/17 APPR:TMCCLELL 2016/11/17	QUALITY SYMBOLS	GENERAL TOLERANCES (UNLESS SPECIFIED)		DIMENSION STYLE	SCALE	DESIGN UNITS	THIRD ANGLE PROJECTION
	$\nabla = 0$	mm	INCH	MM ONLY	4:1	METRIC	
	$\nabla = 0$	4 PLACES $\pm$ ---	$\pm$ ---	DRAWN BY	DATE	TITLE	
	$\nabla = 0$	3 PLACES $\pm$ ---	$\pm$ ---	KLANG	2011/09/29	IPASS PLUS HD - 12G EXTERNAL	
REV	DESCRIPTION	2 PLACES $\pm 0.13$	$\pm$ ---	CHECKED BY	DATE	DOCUMENT NO.	
B1		1 PLACE $\pm 0.25$	$\pm$ ---	TMCCLELLAND	2013/07/31	SD-76866-1000	
		0 PLACE $\pm$	$\pm$	APPROVED BY	DATE	SHEET NO.	
		ANGULAR $\pm 1/2^\circ$		MBANAKIS	2013/08/01	7 OF 12	
		DRAFT WHERE APPLICABLE MUST REMAIN WITHIN DIMENSIONS		SEE CHART		THIS DRAWING CONTAINS INFORMATION THAT IS PROPRIETARY TO MOLEX INCORPORATED AND SHOULD NOT BE USED WITHOUT WRITTEN PERMISSION	



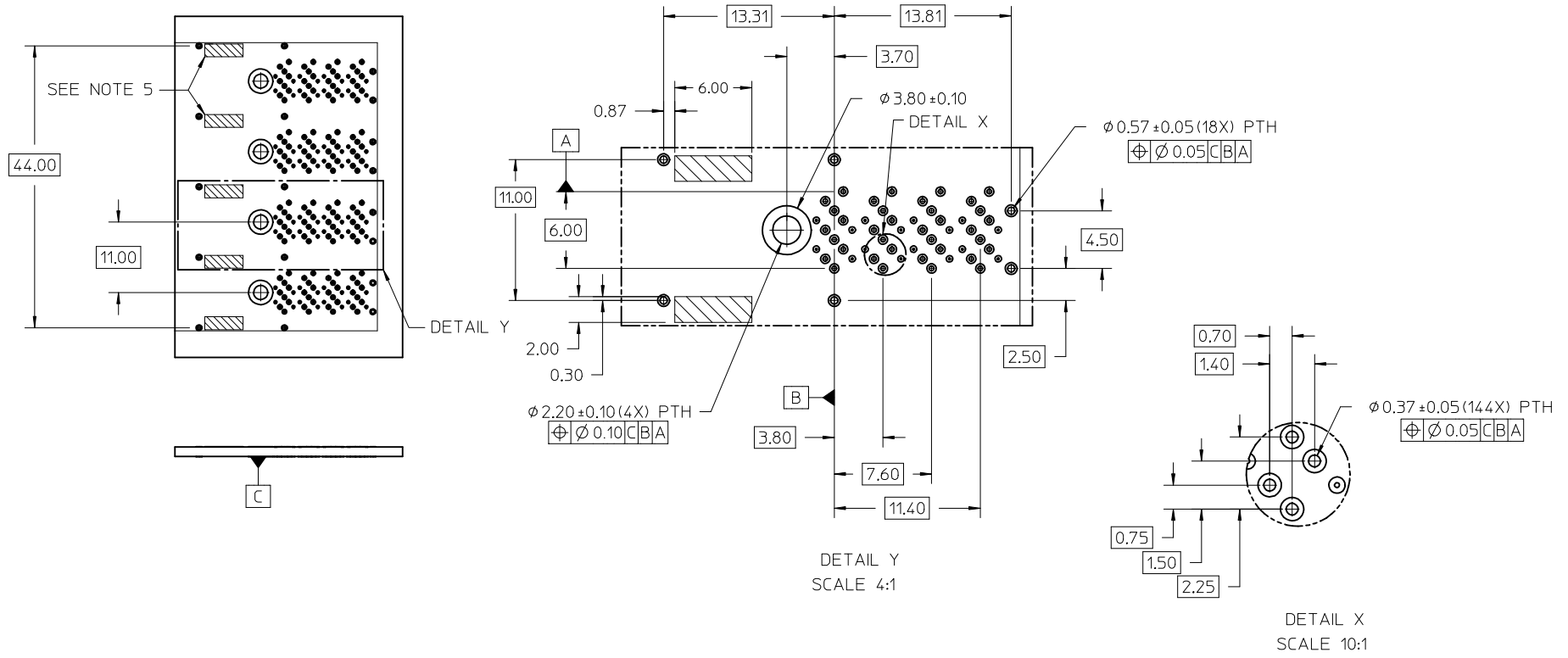
# 1X2 RECOMMENDED FOOTPRINT



- NOTES:
1. RECOMMENDED DRILL & ANNULAR RING SIZE FOR 0.37 $\phi$  FINISHED PTH - REFER TO APPLICATION SPECIFICATION AS-76866-001
  2. MINIMUM RECOMMENDED SPACING: 25.00MM
  4. MINIMUM PCB THICKNESS: 1.57MM
  4. RECOMMENDED DRILL & ANNULAR RING SIZE FOR 0.57 $\phi$  FINISHED PTH - REFER TO APPLICATION SPECIFICATION AS-76866-001
  5. CAGE KEEP OUT ZONE: TRACES AND VIAS ARE NOT ALLOWED ON SURFACE OF PCB IN THESE AREAS.

SEE SHEET 1 EC NO: UCP2017-1144 DRWN: MCLELL 2016/11/17 CHKD: MCLELLAND 2016/11/17 APPR: MCLELL 2016/11/17	QUALITY SYMBOLS ▽=0 ▽=0 ▽=0	GENERAL TOLERANCES (UNLESS SPECIFIED)		DIMENSION STYLE <b>MM ONLY</b>	SCALE <b>4:1</b>	DESIGN UNITS <b>METRIC</b>	THIRD ANGLE PROJECTION	
		4 PLACES ± --- ± --- 3 PLACES ± --- ± --- 2 PLACES ± 0.13 ± --- 1 PLACE ± 0.25 ± --- 0 PLACE ± ±	DRAWN BY KLANG	DATE 2011/09/29	CHECKED BY TMCCLELLAND	DATE 2013/07/31	TITLE <b>IPASS PLUS HD - 12G EXTERNAL</b>	
B1	DESCRIPTION	ANGULAR ±1/2° DRAFT WHERE APPLICABLE MUST REMAIN WITHIN DIMENSIONS		APPROVED BY MBANAKIS	DATE 2013/08/01	DOCUMENT NO. <b>SD-76866-1000</b>		SHEET NO. 8 OF 12
THIS DRAWING CONTAINS INFORMATION THAT IS PROPRIETARY TO MOLEX INCORPORATED AND SHOULD NOT BE USED WITHOUT WRITTEN PERMISSION				SEE CHART		molex		

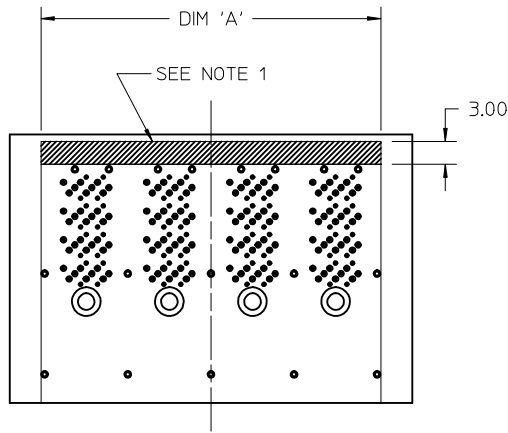
# 1X4 RECOMMENDED FOOTPRINT



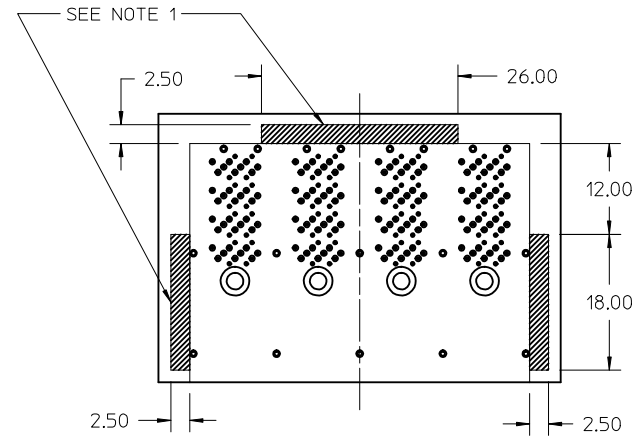
- NOTES:
1. RECOMMENDED DRILL & ANNULAR RING SIZE FOR  $0.37\phi$  FINISHED PTH - REFER TO APPLICATION SPECIFICATION AS-76866-001
  2. MINIMUM RECOMMENDED SPACING: 47.00MM
  4. MINIMUM PCB THICKNESS: 1.57MM
  4. RECOMMENDED DRILL & ANNULAR RING SIZE FOR  $0.57\phi$  FINISHED PTH - REFER TO APPLICATION SPECIFICATION AS-76866-001
  5. CAGE KEEP OUT ZONE: TRACES AND VIAS ARE NOT ALLOWED ON SURFACE OF PCB IN THESE AREAS.

SEE SHEET 1 EC NO: UCP2017-1144 DRWN:TMCCLELL 2016/11/17 CHKD:TMCCLELLAND 2016/11/17 APPR:TMCCLELL 2016/11/17	DESCRIPTION	QUALITY SYMBOLS	GENERAL TOLERANCES (UNLESS SPECIFIED)		DIMENSION STYLE	SCALE	DESIGN UNITS	THIRD ANGLE PROJECTION	
		▽=0 ▽=0 ▽=0	mm	INCH	MM ONLY	2:1	METRIC	IPASS PLUS HD - 12G EXTERNAL	
REV: B1	DESCRIPTION	4 PLACES	±	---	DRAWN BY	DATE	TITLE		
		3 PLACES	±	---	KLANG	2011/09/29			
REV: B1	DESCRIPTION	2 PLACES	±	0.13	CHECKED BY	DATE	DOCUMENT NO.		
		1 PLACE	±	0.25	TMCCLELLAND	2013/07/31			
REV: B1	DESCRIPTION	0 PLACE	±	---	APPROVED BY	DATE	SHEET NO.		
			±	---	MBANAKIS	2013/08/01			
		ANGULAR $\pm 1/2^\circ$		MATERIAL NO.		DOCUMENT NO.		SHEET NO.	
		DRAFT WHERE APPLICABLE MUST REMAIN WITHIN DIMENSIONS		SEE CHART		SD-76866-1000		9 OF 12	
THIS DRAWING CONTAINS INFORMATION THAT IS PROPRIETARY TO MOLEX INCORPORATED AND SHOULD NOT BE USED WITHOUT WRITTEN PERMISSION									

# RECOMMENDED TOOLING KEEP OUT AREAS



INSERTION TOOL KEEP OUT AREA



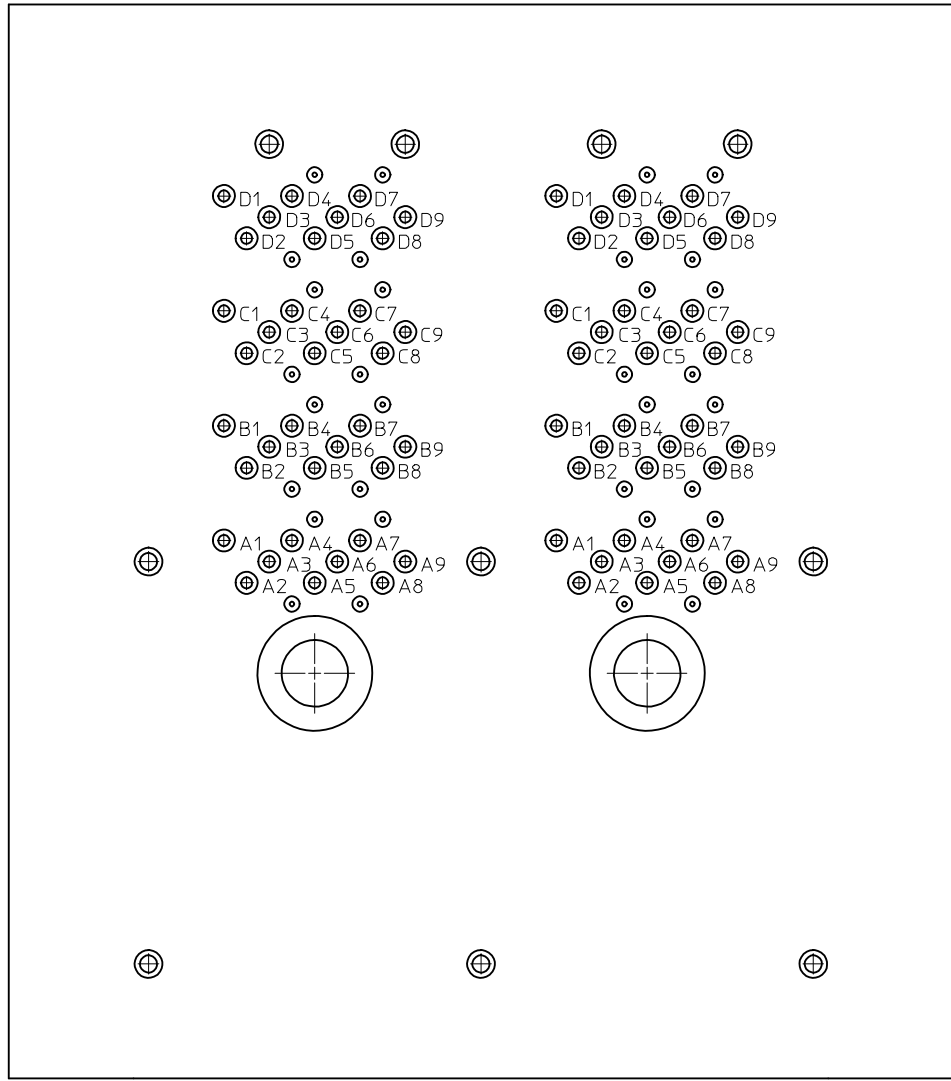
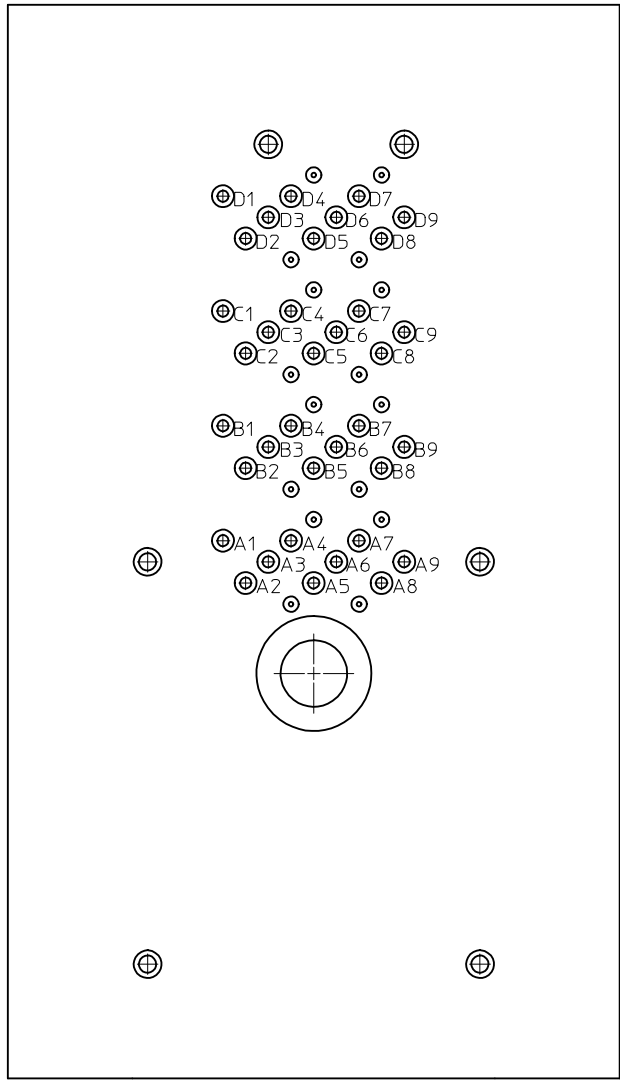
EXTRACTION TOOL KEEP OUT AREA

NOTES:  
1. NO COMPONENTS ALLOWED IN THESE AREAS

CONFIGURATION	DIM 'A' (MIN)
1 X 1	12.00
1 X 2	23.00
1 X 4	45.00

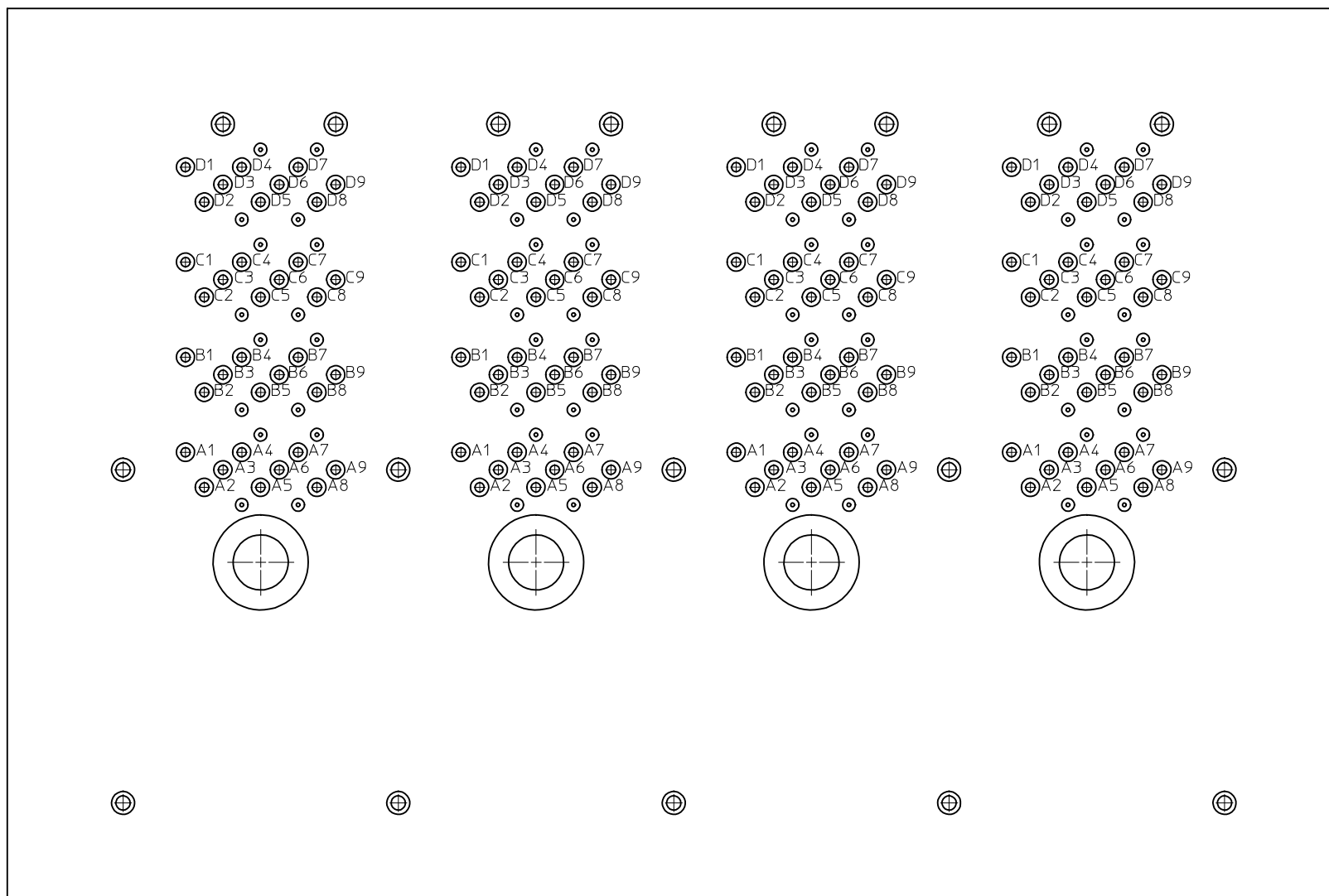
SEE SHEET 1 EC NO: UCP2017-1144 DRWN: TMCCLELL 2016/11/17 CHKD: TMCCLELLAND 2016/11/17 APPR: TMCCLELL 2016/11/17	QUALITY SYMBOLS	GENERAL TOLERANCES (UNLESS SPECIFIED)	DIMENSION STYLE <b>MM ONLY</b>	SCALE <b>2:1</b>	DESIGN UNITS <b>METRIC</b>	THIRD ANGLE PROJECTION
	▽=0	mm INCH	DRAWN BY DATE KLANG 2011/09/29	TITLE <b>IPASS PLUS HD - 12G EXTERNAL</b>		
	▽=0	4 PLACES ± --- ± ---	CHECKED BY DATE TMCCLELLAND 2013/07/31	DOCUMENT NO. <b>SD-76866-1000</b>		
	▽=0	3 PLACES ± --- ± ---	APPROVED BY DATE MBANAKIS 2013/08/01			
	2 PLACES ± 0.13 ± ---	MATERIAL NO. <b>SEE CHART</b>				
	1 PLACE ± 0.25 ± ---	ANGULAR ±1/2°	SIZE C	THIS DRAWING CONTAINS INFORMATION THAT IS PROPRIETARY TO MOLEX INCORPORATED AND SHOULD NOT BE USED WITHOUT WRITTEN PERMISSION		
	0 PLACE ± ±	DRAFT WHERE APPLICABLE MUST REMAIN WITHIN DIMENSIONS				

# 1X1 & 1X2 FOOTPRINT CIRCUIT IDENTIFICATION



SEE SHEET 1 EC NO: UCP2017-1144 DRWN:TMCCLELL 2016/11/17 CHKD:TMCCLELLAND 2016/11/17 APPR:TMCCLELL 2016/11/17	QUALITY SYMBOLS ▽=0 ▽=0 ▽=0	GENERAL TOLERANCES (UNLESS SPECIFIED) mm INCH 4 PLACES ± --- ± --- 3 PLACES ± --- ± --- 2 PLACES ± 0.13 ± --- 1 PLACE ± 0.25 ± --- 0 PLACE ± ±	DIMENSION STYLE MM ONLY DRAWN BY DATE KLANG 2011/09/29 CHECKED BY DATE TMCCLELLAND 2013/07/31 APPROVED BY DATE MBANAKIS 2013/08/01	SCALE 8:1 DESIGN UNITS METRIC THIRD ANGLE PROJECTION	TITLE IPASS PLUS HD - 12G EXTERNAL	
	MATERIAL NO. SEE CHART	DOCUMENT NO. SD-76866-1000	SHEET NO. 11 OF 12			
	DRAFT WHERE APPLICABLE MUST REMAIN WITHIN DIMENSIONS			SIZE C	THIS DRAWING CONTAINS INFORMATION THAT IS PROPRIETARY TO MOLEX. INCORPORATED AND SHOULD NOT BE USED WITHOUT WRITTEN PERMISSION	
	REV B1	DESCRIPTION				

# 1X4 FOOTPRINT CIRCUIT IDENTIFICATION



SEE SHEET 1 EC NO: UCP2017-1144 DRWN: TMCLELL 2016/11/17 CHKD: TMCLELLAND 2016/11/17 APPR: TMCLELL 2016/11/17	QUALITY SYMBOLS	GENERAL TOLERANCES (UNLESS SPECIFIED)		DIMENSION STYLE	SCALE	DESIGN UNITS	THIRD ANGLE PROJECTION
	▽=0	mm	INCH	MM ONLY	8:1	METRIC	☉
	▽=0	4 PLACES ± ---	± ---	DRAWN BY DATE	TITLE		
	▽=0	3 PLACES ± ---	± ---	KLANG 2011/09/29	IPASS PLUS HD - 12G EXTERNAL		
		2 PLACES ± 0.13	± ---	CHECKED BY DATE			
		1 PLACE ± 0.25	± ---	TMCLELLAND 2013/07/31			
		0 PLACE ±	±	APPROVED BY DATE			
				MBANAKIS 2013/08/01			
				MATERIAL NO.	DOCUMENT NO.		
				ANGULAR ±1/2°	SD-76866-1000		
				DRAFT WHERE APPLICABLE MUST REMAIN WITHIN DIMENSIONS	SEE CHART		
				SIZE C	THIS DRAWING CONTAINS INFORMATION THAT IS PROPRIETARY TO MOLEX INCORPORATED AND SHOULD NOT BE USED WITHOUT WRITTEN PERMISSION		
						SHEET NO. 12 OF 12	