



Chipsmall Limited consists of a professional team with an average of over 10 year of expertise in the distribution of electronic components. Based in Hongkong, we have already established firm and mutual-benefit business relationships with customers from,Europe,America and south Asia,supplying obsolete and hard-to-find components to meet their specific needs.

With the principle of “Quality Parts,Customers Priority,Honest Operation,and Considerate Service”,our business mainly focus on the distribution of electronic components. Line cards we deal with include Microchip,ALPS,ROHM,Xilinx,Pulse,ON,Everlight and Freescale. Main products comprise IC,Modules,Potentiometer,IC Socket,Relay,Connector.Our parts cover such applications as commercial,industrial, and automotives areas.

We are looking forward to setting up business relationship with you and hope to provide you with the best service and solution. Let us make a better world for our industry!



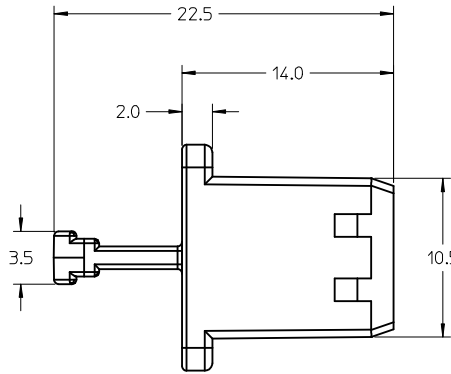
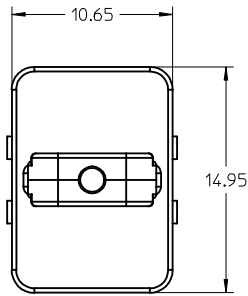
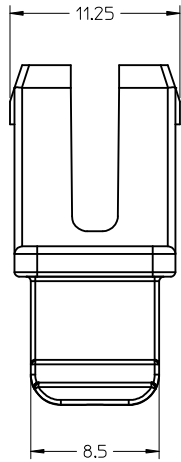
Contact us

Tel: +86-755-8981 8866 Fax: +86-755-8427 6832

Email & Skype: info@chipsmall.com Web: www.chipsmall.com

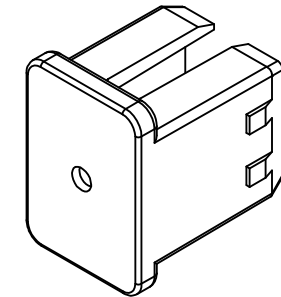
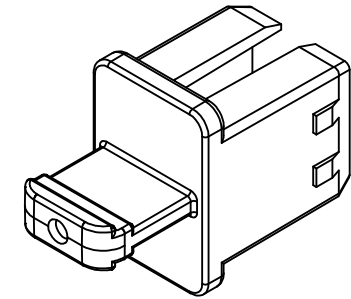
Address: A1208, Overseas Decoration Building, #122 Zhenhua RD., Futian, Shenzhen, China





NOTES:

1. MATERIAL: PLATABLE GRADE LCP 30% GLASS FILLED
2. PLATING (MINIMUM): 3.8µM BRIGHT NICKEL OVER 2.54µM COPPER UNDERPLATE.
3. PLUG CAN BE USED WITH ALL MOLEX IPASS EXTERNAL CAGE ASSEMBLIES.
4. PART CONFORMS TO MOLEX COSMETIC SPECIFICATION PS-45499-002, SURFACES TO BE CLASS 'B'.



MATERIAL NO.	PLATED	DESCRIPTION
76866-8806	NO	DUST PLUG W/PULL TAB
76866-8816	YES	DUST PLUG W/PULL TAB
76866-8807	NO	DUST PLUG
76866-8817	YES	DUST PLUG

REV PER IR28146 EC NO: UCP2013-5069 DRW:KBINGHAM 2013/05/28 CHKD:TMCCLELLAND 2013/05/29 APPR:TMCCLELL 2013/05/29	QUALITY SYMBOLS	GENERAL TOLERANCES (UNLESS SPECIFIED)		DIMENSION STYLE MM ONLY		SCALE 4:1	DESIGN UNITS METRIC	THIRD ANGLE PROJECTION
	▽=0	mm	INCH	DRAWN BY KBINGHAM	DATE 2013/03/08	TITLE IPASS PLUS HD DUST PLUG WITH & W/O PULL TAB EXTERNAL CAGES molex DOCUMENT NO. SD-76866-8806 SHEET NO. 1 OF 1		
	▽=0	4 PLACES ± ---	± ---	CHECKED BY TMCCLELLAND	DATE 2013/03/11			
	▽=0	3 PLACES ± ---	± ---	APPROVED BY TMCCLELL	DATE 2013/03/11			
▽=0	2 PLACES ± 0.13	± ---	MATERIAL NO. SEE CHART					
		1 PLACE ± 0.25	± ---	DRAFT WHERE APPLICABLE MUST REMAIN WITHIN DIMENSIONS		SIZE C THIS DRAWING CONTAINS INFORMATION THAT IS PROPRIETARY TO MOLEX INCORPORATED AND SHOULD NOT BE USED WITHOUT WRITTEN PERMISSION		
		0 PLACE ± ---	± ---	ANGULAR ± 2 °				