



Chipsmall Limited consists of a professional team with an average of over 10 year of expertise in the distribution of electronic components. Based in Hongkong, we have already established firm and mutual-benefit business relationships with customers from,Europe,America and south Asia,supplying obsolete and hard-to-find components to meet their specific needs.

With the principle of “Quality Parts,Customers Priority,Honest Operation,and Considerate Service”,our business mainly focus on the distribution of electronic components. Line cards we deal with include Microchip,ALPS,ROHM,Xilinx,Pulse,ON,Everlight and Freescale. Main products comprise IC,Modules,Potentiometer,IC Socket,Relay,Connector.Our parts cover such applications as commercial,industrial, and automotives areas.

We are looking forward to setting up business relationship with you and hope to provide you with the best service and solution. Let us make a better world for our industry!



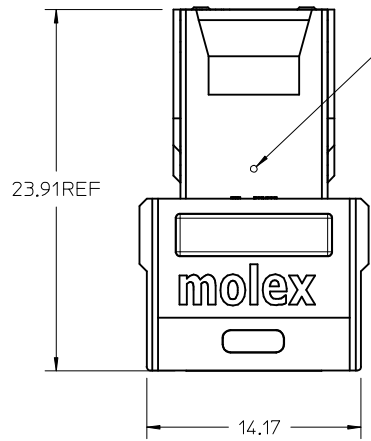
## Contact us

Tel: +86-755-8981 8866 Fax: +86-755-8427 6832

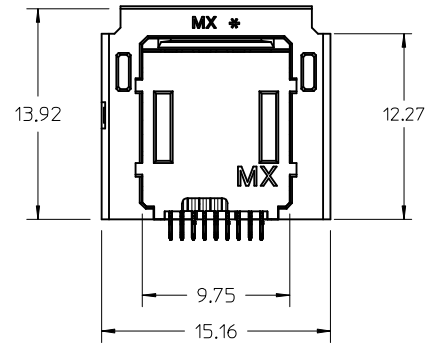
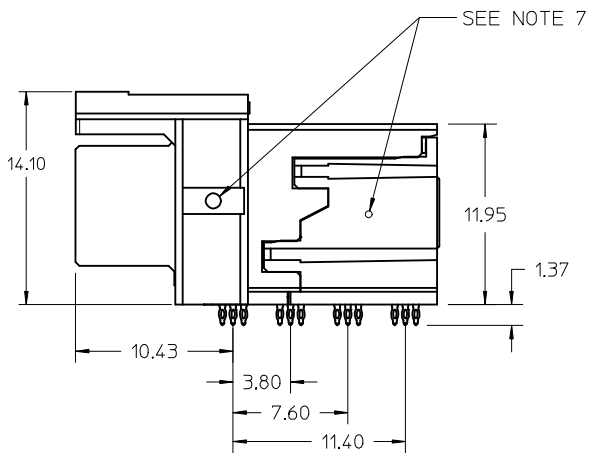
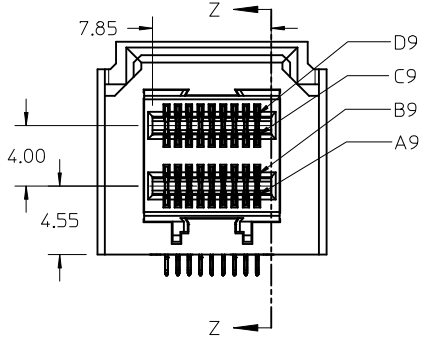
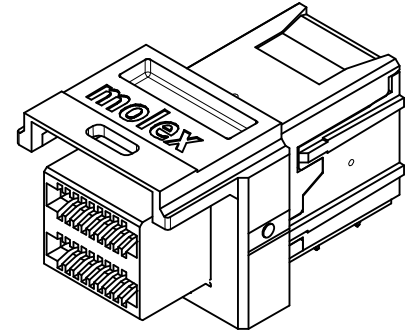
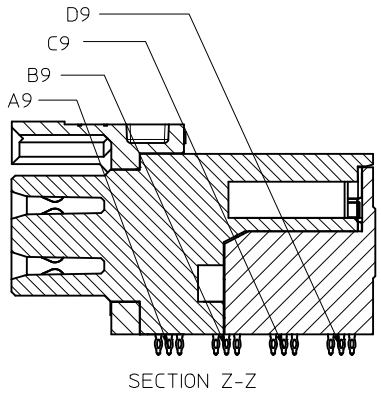
Email & Skype: info@chipsmall.com Web: www.chipsmall.com

Address: A1208, Overseas Decoration Building, #122 Zhenhua RD., Futian, Shenzhen, China





SEE NOTE 7



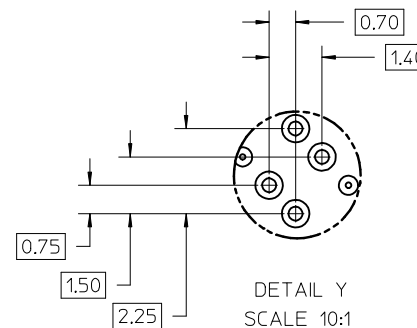
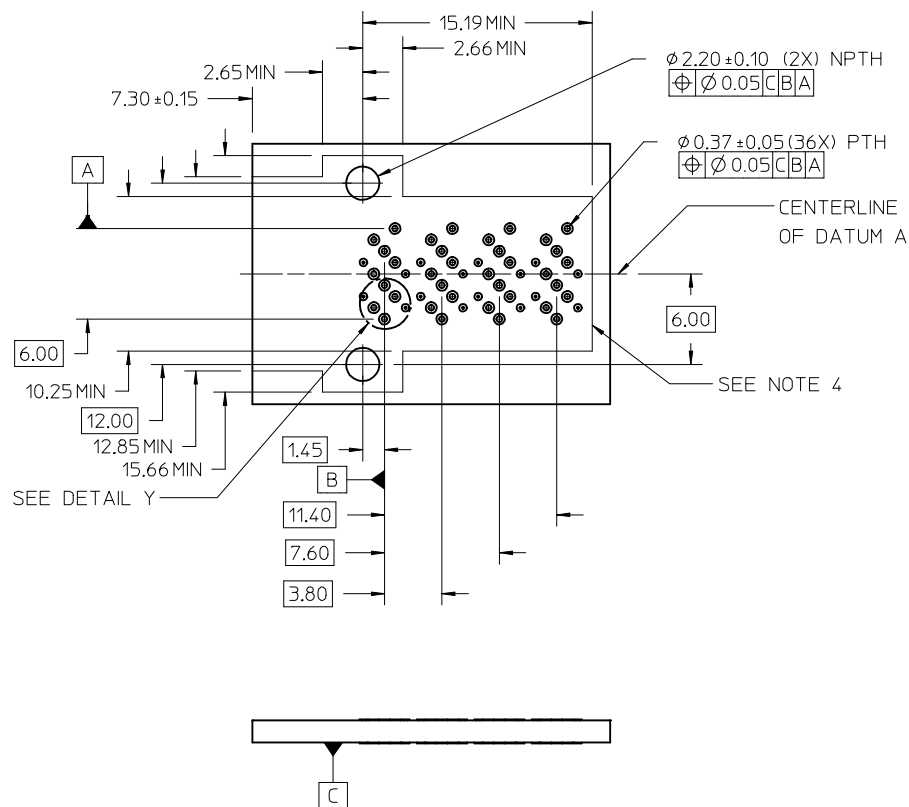
- NOTES:
- MATERIALS:  
CONNECTOR HOUSING: HIGH TEMPERATURE THERMOPLASTIC  
GLASS FILLED, UL 94V-0  
TERMINALS: COPPER ALLOY
  - FINISHES:  
CONTACT AREA: 0.76µM MIN GOLD OVER 2.54µM MIN NICKEL  
TAIL AREA:  
OPTION 1: 0.76µM-1.52µM TIN/LEAD (90/10) OVER 2.54µM MIN NICKEL  
OPTION 2: 0.76µM-1.52µM TIN (LEAD FREE) OVER 2.54µM MIN NICKEL
  - PRODUCT SPECIFICATION: PS-76867-001
  - PACKAGING SPECIFICATION: PK-76867-001
  - MATES WITH: MOLEX CABLE SERIES 100171, 100189, 100190 & 100191
  - MOUNTING HARDWARE NOT SUPPLIED, REFER TO APPLICATION SPECIFICATION AS-76867-001
  - APPROXIMATE MOLDING GATE LOCATION
  - PLUG MODULE PCB LAYOUT REFER TO SD-76866-9900

PLATING OPT.	MATERIAL NO.
OPTION 1	76867-0001
OPTION 2	76867-0011

<b>REV'D GATE LOCATION</b> IEC NO: UCP2015-4516 DRWN: TMCLELL 2015/04/28 CHKD: TMCLELLAND 2015/04/28 APPR: TMCLELL 2015/04/28	<b>QUALITY SYMBOLS</b> 	<b>GENERAL TOLERANCES (UNLESS SPECIFIED)</b>		<b>DIMENSION STYLE</b> <b>MM ONLY</b>	<b>SCALE</b> <b>4:1</b>	<b>DESIGN UNITS</b> <b>METRIC</b>	<b>THIRD ANGLE PROJECTION</b>
		4 PLACES ± --- ± --- 3 PLACES ± --- ± .005 2 PLACES ± 0.13 ± .010 1 PLACE ± 0.25 ± --- 0 PLACE ± ±	DRAWN BY DATE KLANG 2009/05/15	TITLE <b>IPASS PLUS HD 1X1 ASSEMBLY INTERNAL</b>			
		ANGULAR ±1/2° DRAFT WHERE APPLICABLE MUST REMAIN WITHIN DIMENSIONS	CHECKED BY DATE TMCLELLAND 2012/10/15	<b>molex</b>			
		MATERIAL NO. <b>SEE CHART</b>	APPROVED BY DATE MBANAKIS 2010/11/17	DOCUMENT NO. <b>SD-76867-001</b>	SHEET NO. <b>1 OF 3</b>		

THIS DRAWING CONTAINS INFORMATION THAT IS PROPRIETARY TO MOLEX INCORPORATED AND SHOULD NOT BE USED WITHOUT WRITTEN PERMISSION

# RECOMMENDED FOOTPRINT

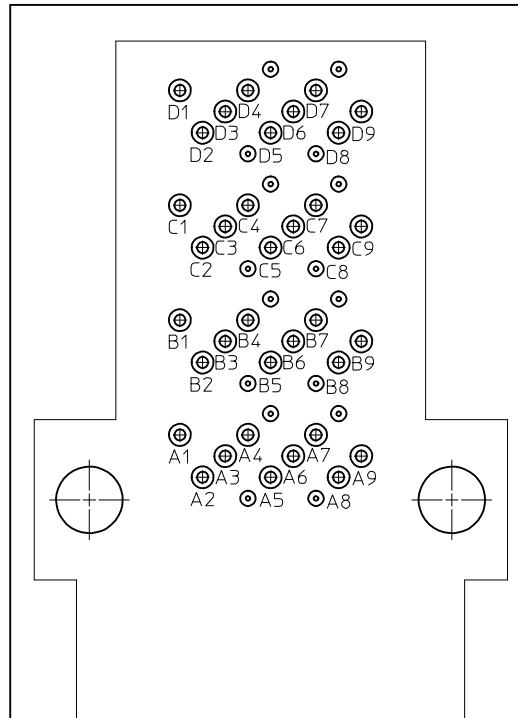


**NOTES:**

1. RECOMMENDED DRILL SIZE AND ANNULAR RING FOR A 0.37 $\phi$  FINISHED PTH - REFER TO APPLICATION SPECIFICATION AS-76867-001
2. MINIMUM RECOMMENDED SPACING: 14.00MM
3. MINIMUM PCB THICKNESS: 1.57MM
4. CONNECTOR KEEP OUT AREA

SEE SHEET 1 EC NO: UCP2015-4516 DRWN: TMCCLELL 2015/04/28 CHKD: TMCCLELL AND 2015/04/28 APPR: TMCCLELL 2015/04/28	QUALITY SYMBOLS ▽=0 ▽=0 ▽=0	GENERAL TOLERANCES (UNLESS SPECIFIED)		DIMENSION STYLE <b>MM ONLY</b>		SCALE <b>4:1</b>	DESIGN UNITS <b>METRIC</b>	THIRD ANGLE PROJECTION		
			mm	INCH	DRAWN BY KLANG	DATE 2009/05/15	TITLE <b>IPASS PLUS HD 1X1 ASSEMBLY INTERNAL</b>			
		4 PLACES	± ---	± ---	CHECKED BY TMCCLELLAND	DATE 2012/10/15				
		3 PLACES	± ---	± .005	APPROVED BY MBANAKIS		DATE 2010/11/17	DOCUMENT NO. <b>SD-76867-001</b>		
2 PLACES	± 0.13	± .010	MATERIAL NO.							
1 PLACE	± 0.25	± ---	ANGULAR ±1/2°		SIZE <b>SEE CHART</b>		SHEET NO. <b>2 OF 3</b>			
0 PLACE	±	±	DRAFT WHERE APPLICABLE MUST REMAIN WITHIN DIMENSIONS		THIS DRAWING CONTAINS INFORMATION THAT IS PROPRIETARY TO MOLEX INCORPORATED AND SHOULD NOT BE USED WITHOUT WRITTEN PERMISSION					

# FOOTPRINT CIRCUIT IDENTIFICATION



SEE SHEET 1 EC NO: UCP2015-4516 DRWN: TMCLELL 2015/04/28 CHKD: TMCLELL AND 2015/04/28 APPR: TMCLELL 2015/04/28	QUALITY SYMBOLS	GENERAL TOLERANCES (UNLESS SPECIFIED)		DIMENSION STYLE <b>MM ONLY</b>		SCALE <b>8:1</b>	DESIGN UNITS <b>METRIC</b>	THIRD ANGLE PROJECTION	
	▽=0	mm	INCH	DRAWN BY	DATE	TITLE <b>IPASS PLUS HD 1X1 ASSEMBLY INTERNAL</b>			
	▽=0	4 PLACES ± ---	± ---	KLANG	2009/05/15				
	▽=0	3 PLACES ± ---	± .005	CHECKED BY	DATE	<b>molex</b> DOCUMENT NO. <b>SD-76867-001</b>			
	▽=0	2 PLACES ± 0.13	± .010	TMCCLELLAND	2012/10/15				
REV	DESCRIPTION	1 PLACE ± 0.25	± ---	APPROVED BY	DATE	SHEET NO. <b>3 OF 3</b>			
B10		0 PLACE ±	±	MBANAKIS	2010/11/17				
		ANGULAR ±1/2°		MATERIAL NO.					
		DRAFT WHERE APPLICABLE MUST REMAIN WITHIN DIMENSIONS		SEE CHART					
				SIZE	THIS DRAWING CONTAINS INFORMATION THAT IS PROPRIETARY TO MOLEX INCORPORATED AND SHOULD NOT BE USED WITHOUT WRITTEN PERMISSION				