



Chipsmall Limited consists of a professional team with an average of over 10 year of expertise in the distribution of electronic components. Based in Hongkong, we have already established firm and mutual-benefit business relationships with customers from,Europe,America and south Asia,supplying obsolete and hard-to-find components to meet their specific needs.

With the principle of “Quality Parts,Customers Priority,Honest Operation,and Considerate Service”,our business mainly focus on the distribution of electronic components. Line cards we deal with include Microchip,ALPS,ROHM,Xilinx,Pulse,ON,Everlight and Freescale. Main products comprise IC,Modules,Potentiometer,IC Socket,Relay,Connector.Our parts cover such applications as commercial,industrial, and automotives areas.

We are looking forward to setting up business relationship with you and hope to provide you with the best service and solution. Let us make a better world for our industry!



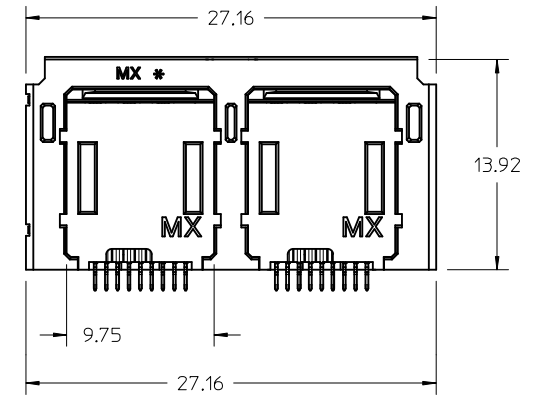
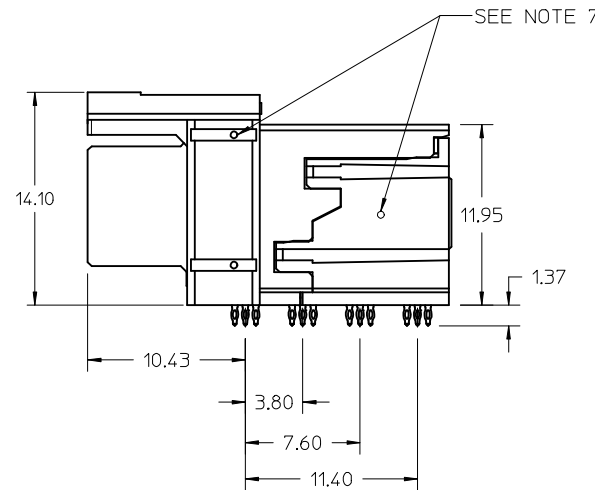
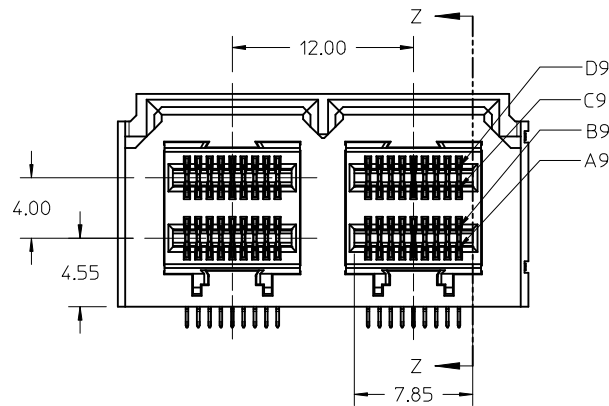
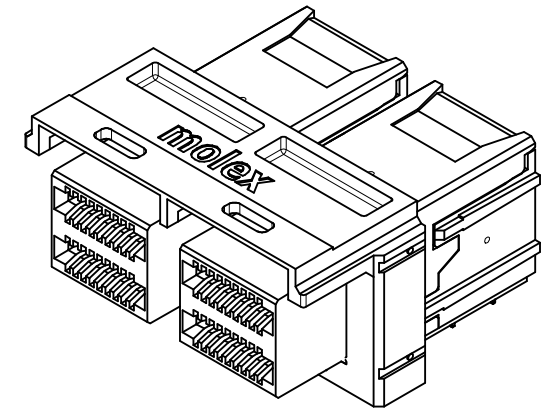
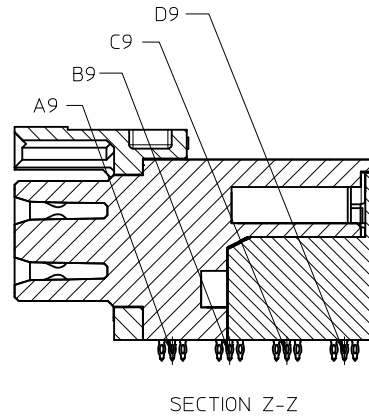
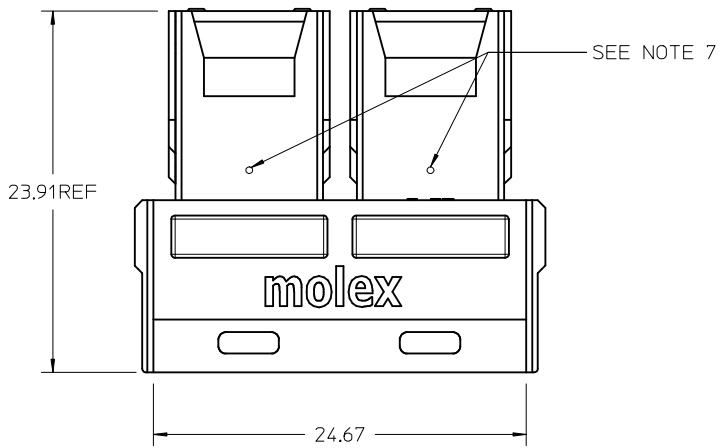
Contact us

Tel: +86-755-8981 8866 Fax: +86-755-8427 6832

Email & Skype: info@chipsmall.com Web: www.chipsmall.com

Address: A1208, Overseas Decoration Building, #122 Zhenhua RD., Futian, Shenzhen, China





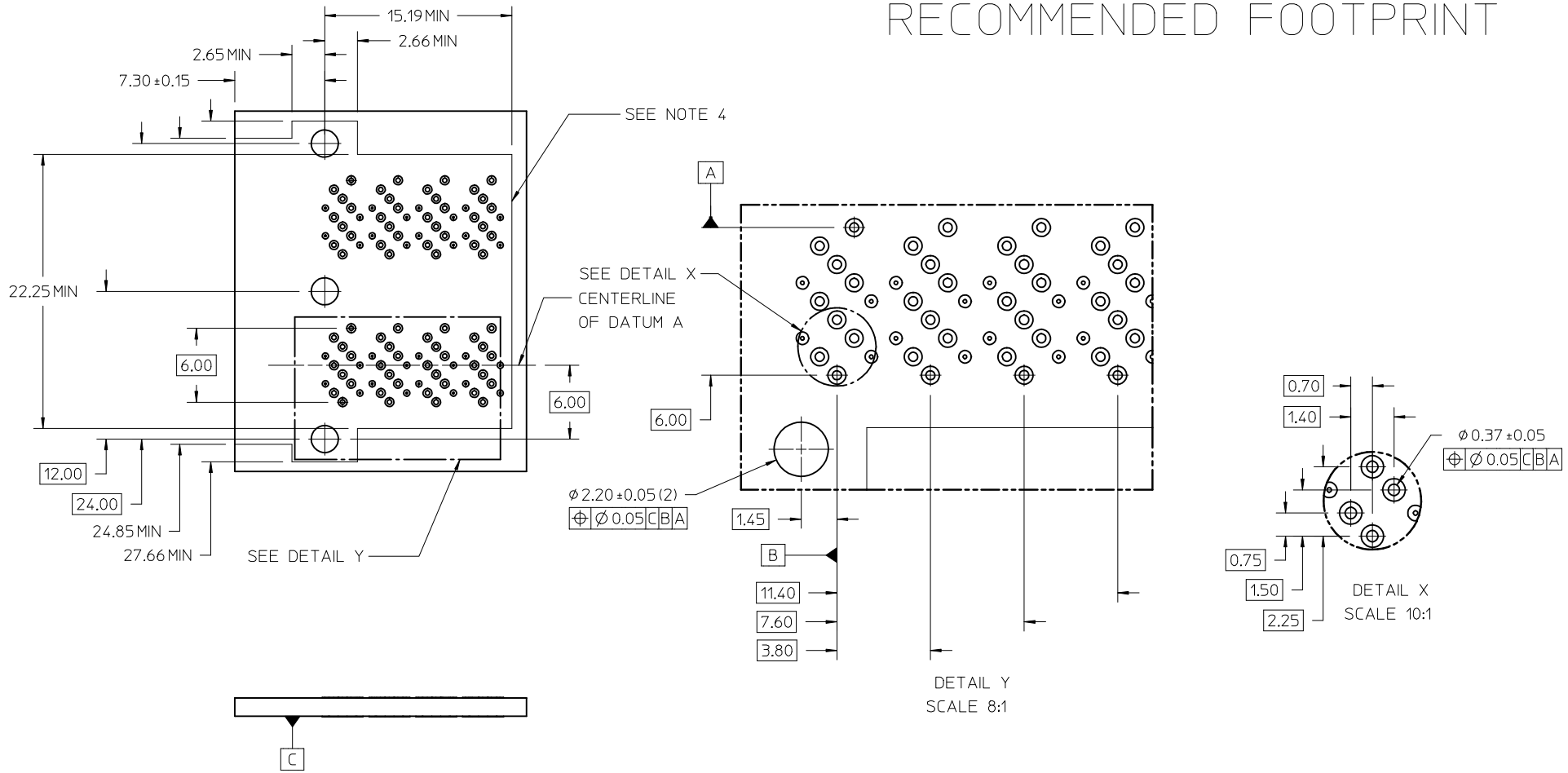
NOTES:

1. MATERIALS:
CONNECTOR HOUSING: HIGH TEMPERATURE THERMOPLASTIC
GLASS FILLED, UL 94V-0
TERMINALS: COPPER ALLOY
2. FINISHES:
CONTACT AREA: 0.76µM MIN GOLD OVER 2.54µM MIN NICKEL
TAIL AREA:
OPTION 1: 0.76µM-1.52µM TIN/LEAD (90/10) OVER 2.54µM MIN NICKEL
OPTION 2: 0.76µM-1.52µM TIN (LEAD FREE) OVER 2.54µM MIN NICKEL
3. PRODUCT SPECIFICATION: PS-76867-001
4. PACKAGING SPECIFICATION: PK-76867-001
5. MATES WITH: MOLEX CABLE SERIES 111067 & 111072
6. RECOMMENDED MOUNTING HARDWARE: M2X1.35 SELF-THREADING SCREW
MOUNTING SCREW LENGTH: PCB THICKNESS + 3.0MM MAX (1.75MM MIN)
MOUNTING HARDWARE NOT SUPPLIED
7. APPROXIMATE MOLDING GATE LOCATION

PLATING OPT.	MATERIAL NO.
OPTION 1	76867-0002
OPTION 2	76867-0012

REV NOTE REF SHT2 EC NO: UCP2013-1619 DRAWN BY: INGHAM 2012/10/25 CHKD: TMCLELL APPR: TMCLELL 2012/10/29 REV: B8	QUALITY SYMBOLS ▽=0 ▽=0	GENERAL TOLERANCES (UNLESS SPECIFIED)		DIMENSION STYLE MM ONLY	SCALE 4:1	DESIGN UNITS METRIC	THIRD ANGLE PROJECTION																					
		<table border="1"> <thead> <tr> <th></th> <th>mm</th> <th>INCH</th> </tr> </thead> <tbody> <tr> <td>4 PLACES ±</td> <td>---</td> <td>---</td> </tr> <tr> <td>3 PLACES ±</td> <td>---</td> <td>±.005</td> </tr> <tr> <td>2 PLACES ±</td> <td>0.13</td> <td>±.010</td> </tr> <tr> <td>1 PLACE ±</td> <td>0.25</td> <td>±---</td> </tr> </tbody> </table>			mm	INCH	4 PLACES ±	---	---	3 PLACES ±	---	±.005	2 PLACES ±	0.13	±.010	1 PLACE ±	0.25	±---	<table border="1"> <tr> <td>DRAWN BY</td> <td>DATE</td> </tr> <tr> <td>KLANG</td> <td>2009/05/15</td> </tr> <tr> <td>CHECKED BY</td> <td>DATE</td> </tr> </table>	DRAWN BY	DATE	KLANG	2009/05/15	CHECKED BY	DATE	TITLE IPASS PLUS HD 1X2 ASSEMBLY INTERNAL		
			mm	INCH																								
		4 PLACES ±	---	---																								
3 PLACES ±	---	±.005																										
2 PLACES ±	0.13	±.010																										
1 PLACE ±	0.25	±---																										
DRAWN BY	DATE																											
KLANG	2009/05/15																											
CHECKED BY	DATE																											
DRAFT WHERE APPLICABLE MUST REMAIN WITHIN DIMENSIONS		<table border="1"> <tr> <td>APPROVED BY</td> <td>DATE</td> </tr> <tr> <td>MBANAK I S</td> <td>2010/11/17</td> </tr> </table>	APPROVED BY	DATE	MBANAK I S	2010/11/17	MOLEX INCORPORATED		SHEET NO. 1 OF 4																			
APPROVED BY	DATE																											
MBANAK I S	2010/11/17																											
SEE CHART				DOCUMENT NO. SD-76867-002		THIS DRAWING CONTAINS INFORMATION THAT IS PROPRIETARY TO MOLEX INCORPORATED AND SHOULD NOT BE USED WITHOUT WRITTEN PERMISSION																						

RECOMMENDED FOOTPRINT

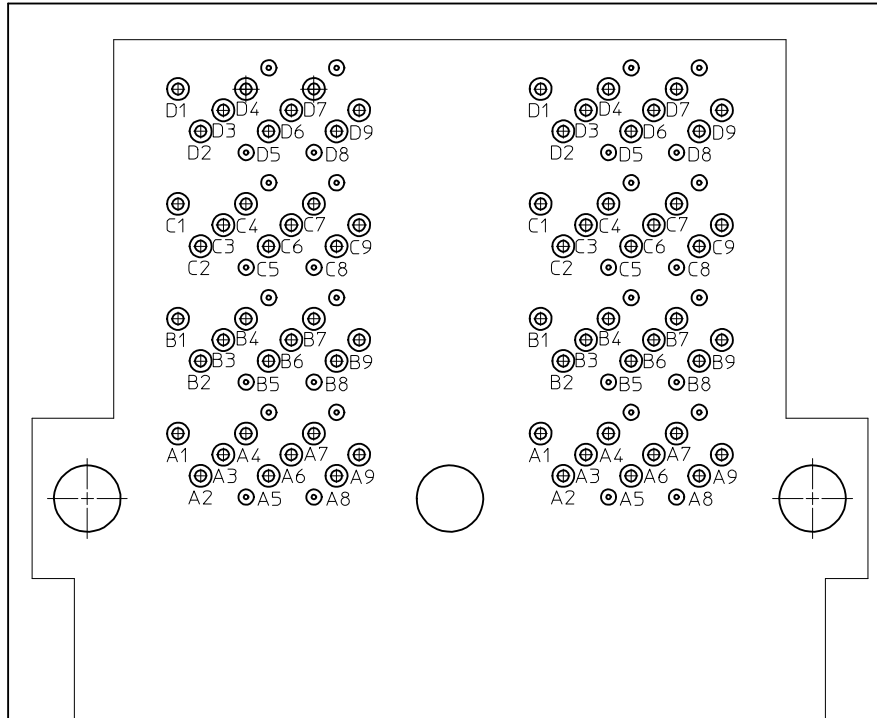


NOTES:

1. RECOMMENDED DRILL SIZE AND ANNULAR RING FOR A 0.37ϕ FINISHED PTH - REFER TO APPLICATION SPECIFICATION AS-76867-001
2. MINIMUM RECOMMENDED SPACING: 14.00MM
3. MINIMUM PCB THICKNESS: 1.57MM
4. CONNECTOR KEEP OUT AREA

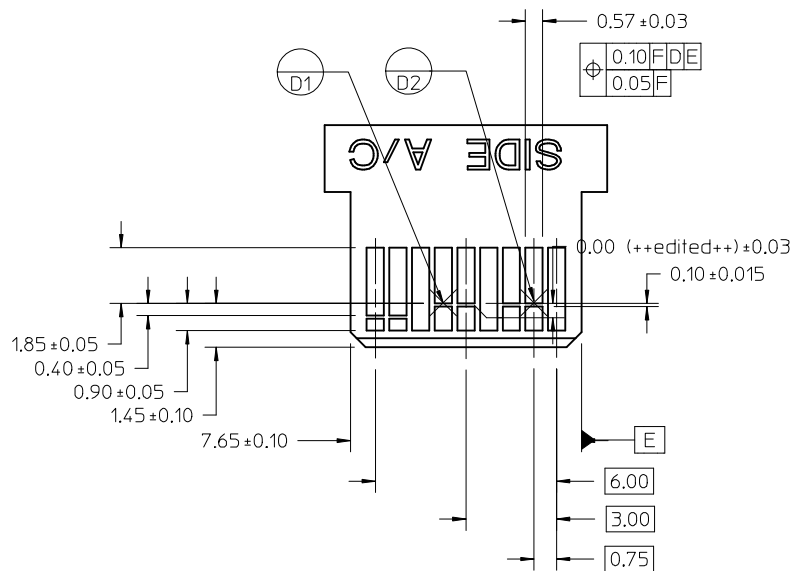
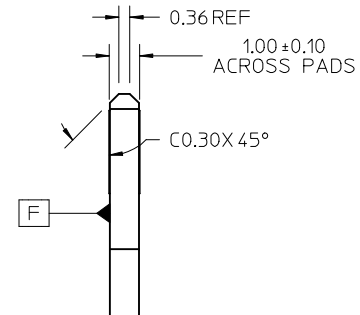
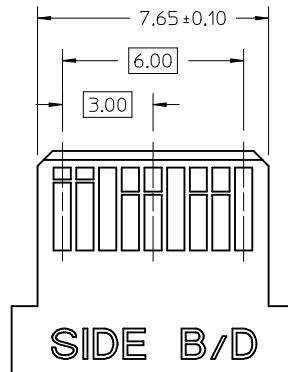
SEE SHEET 1 EC NO: UCP2013-1619 DRAWN BY: INGHAM 2012/10/25 CHKD: TMCLELL 2012/10/29 APPR: TMCLELL	DESCRIPTION B8	QUALITY SYMBOLS ▼=0 ▽=0	GENERAL TOLERANCES (UNLESS SPECIFIED)		DIMENSION STYLE MM ONLY		SCALE 4:1	DESIGN UNITS METRIC	THIRD ANGLE PROJECTION	
					DRAWN BY DATE KLANG 2009/05/15		TITLE IPASS PLUS HD 1X2 ASSEMBLY INTERNAL			
					CHECKED BY DATE		APPROVED BY DATE MBANAKIS 2010/11/17			
					MATERIAL NO.		DOCUMENT NO. SD-76867-002			
DRAFT WHERE APPLICABLE MUST REMAIN WITHIN DIMENSIONS			ANGULAR $\pm 1/2^\circ$		SEE CHART		SHEET NO. 2 OF 4			
THIS DRAWING CONTAINS INFORMATION THAT IS PROPRIETARY TO MOLEX INCORPORATED AND SHOULD NOT BE USED WITHOUT WRITTEN PERMISSION										

FOOTPRINT CIRCUIT IDENTIFICATION



SEE SHEET 1 EC NO: UCP2013-1619 DRAWN BY: DRWINKBINGHAM 2012/10/25 CHKD: APPR: TMC/LELL 2012/10/29 REV: B8	QUALITY SYMBOLS ▽=0 ▽=0	GENERAL TOLERANCES (UNLESS SPECIFIED) <table border="1"> <thead> <tr> <th></th> <th>mm</th> <th>INCH</th> </tr> </thead> <tbody> <tr> <td>4 PLACES</td> <td>± ---</td> <td>± ---</td> </tr> <tr> <td>3 PLACES</td> <td>± ---</td> <td>± .005</td> </tr> <tr> <td>2 PLACES</td> <td>± 0.13</td> <td>± .010</td> </tr> <tr> <td>1 PLACE</td> <td>± 0.25</td> <td>± ---</td> </tr> </tbody> </table> ANGULAR ±1/2°		mm	INCH	4 PLACES	± ---	± ---	3 PLACES	± ---	± .005	2 PLACES	± 0.13	± .010	1 PLACE	± 0.25	± ---	DIMENSION STYLE MM ONLY DRAWN BY: KLANG DATE: 2009/05/15 CHECKED BY: DATE:	SCALE: 8:1 DESIGN UNITS: METRIC THIRD ANGLE PROJECTION
		mm	INCH																
	4 PLACES	± ---	± ---																
	3 PLACES	± ---	± .005																
2 PLACES	± 0.13	± .010																	
1 PLACE	± 0.25	± ---																	
DRAFT WHERE APPLICABLE MUST REMAIN WITHIN DIMENSIONS		APPROVED BY: MBANAKIS DATE: 2010/11/17 MATERIAL NO.	TITLE: IPASS PLUS HD 1X2 ASSEMBLY INTERNAL MOLEX MOLEX INCORPORATED																
		SEE CHART	DOCUMENT NO. SD-76867-002																
		SIZE: C	SHEET NO. 3 OF 4 THIS DRAWING CONTAINS INFORMATION THAT IS PROPRIETARY TO MOLEX INCORPORATED AND SHOULD NOT BE USED WITHOUT WRITTEN PERMISSION																

PLUG MODULE PCB LAYOUT



NOTES:

1. 0.05 MINIMUM KEEP OUT FOR SOLDER MASK AROUND ALL PADS
2. DATUM D TARGETS ARE DEFINED BY THE RESPECTIVE PAD CENTER LINES AND THE LEADING EDGE OF THE TARGET PADS

SEE SHEET 1 EC NO: UCP2013-1619 DRAWN BY: DRANKINGHAM 2012/10/25 CHKD: CHKKD APPR: TMCLELL 2012/10/29 REV: B8	QUALITY SYMBOLS ▽=0 ▽=0	GENERAL TOLERANCES (UNLESS SPECIFIED) <table border="1"> <thead> <tr> <th></th> <th>mm</th> <th>INCH</th> </tr> </thead> <tbody> <tr> <td>4 PLACES</td> <td>± .---</td> <td>± .---</td> </tr> <tr> <td>3 PLACES</td> <td>± .---</td> <td>± .005</td> </tr> <tr> <td>2 PLACES</td> <td>± 0.13</td> <td>± .010</td> </tr> <tr> <td>1 PLACE</td> <td>± 0.25</td> <td>± .---</td> </tr> </tbody> </table> ANGULAR ±1/2°		mm	INCH	4 PLACES	± .---	± .---	3 PLACES	± .---	± .005	2 PLACES	± 0.13	± .010	1 PLACE	± 0.25	± .---	DIMENSION STYLE MM ONLY DRAWN BY: KLANG DATE: 2009/05/15 CHECKED BY: DATE:	SCALE 8:1 DESIGN UNITS METRIC THIRD ANGLE PROJECTION	TITLE IPASS PLUS HD 1X2 ASSEMBLY INTERNAL
		mm	INCH																	
	4 PLACES	± .---	± .---																	
	3 PLACES	± .---	± .005																	
2 PLACES	± 0.13	± .010																		
1 PLACE	± 0.25	± .---																		
DRAFT WHERE APPLICABLE MUST REMAIN WITHIN DIMENSIONS	APPROVED BY: MBANAK I S DATE: 2010/11/17 MATERIAL NO.	MOLEX INCORPORATED DOCUMENT NO.	SHEET NO. 4 OF 4																	
SEE SHEET 1	SEE SHEET 1	SEE SHEET 1	SEE SHEET 1																	
THIS DRAWING CONTAINS INFORMATION THAT IS PROPRIETARY TO MOLEX INCORPORATED AND SHOULD NOT BE USED WITHOUT WRITTEN PERMISSION																				