



Chipsmall Limited consists of a professional team with an average of over 10 year of expertise in the distribution of electronic components. Based in Hongkong, we have already established firm and mutual-benefit business relationships with customers from,Europe,America and south Asia,supplying obsolete and hard-to-find components to meet their specific needs.

With the principle of "Quality Parts,Customers Priority,Honest Operation,and Considerate Service",our business mainly focus on the distribution of electronic components. Line cards we deal with include Microchip,ALPS,ROHM,Xilinx,Pulse,ON,Everlight and Freescale. Main products comprise IC,Modules,Potentiometer,IC Socket,Relay,Connector.Our parts cover such applications as commercial,industrial, and automotives areas.

We are looking forward to setting up business relationship with you and hope to provide you with the best service and solution. Let us make a better world for our industry!



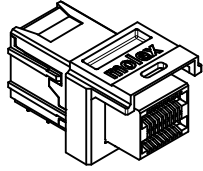
Contact us

Tel: +86-755-8981 8866 Fax: +86-755-8427 6832

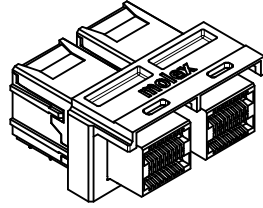
Email & Skype: info@chipsmall.com Web: www.chipsmall.com

Address: A1208, Overseas Decoration Building, #122 Zhenhua RD., Futian, Shenzhen, China

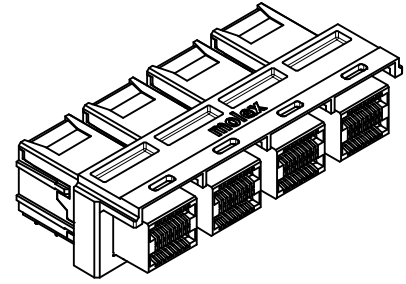




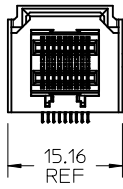
1 X 1



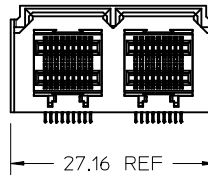
1 X 2



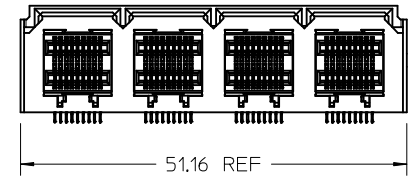
1 X 4



15.16
REF



27.16 REF



51.16 REF

NOTES:

1. MATERIALS:

CONNECTOR HOUSING: HIGH TEMPERATURE THERMOPLASTIC
GLASS FILLED, UL 94V-0
TERMINALS: COPPER ALLOY

2. FINISHES:

CONTACT AREA: 0.76µM MIN GOLD OVER 3.81µM MIN NICKEL
TAIL AREA (LEAD FREE): 0.76µM-1.52µM TIN OVER 1.27µM MIN NICKEL

3. PRODUCT SPECIFICATION: PS-76867-001

4. PACKAGING SPECIFICATION: PK-76867-001

5. MATES WITH: MOLEX CABLE SERIES 100171, 100189, 100190 & 100191

6. MOUNTING HARDWARE NOT SUPPLIED, REFER TO

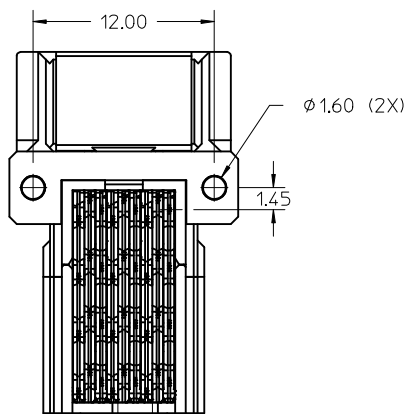
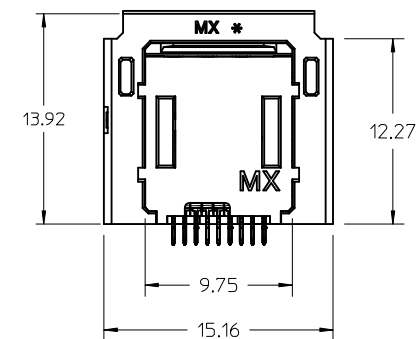
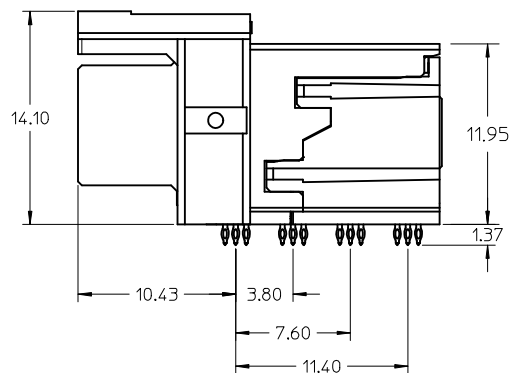
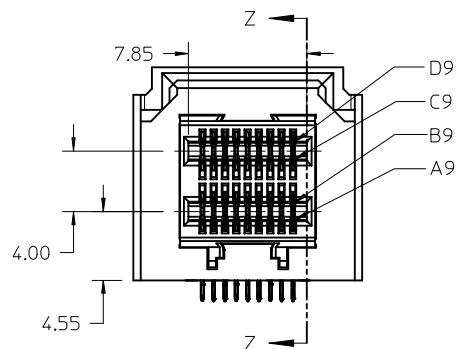
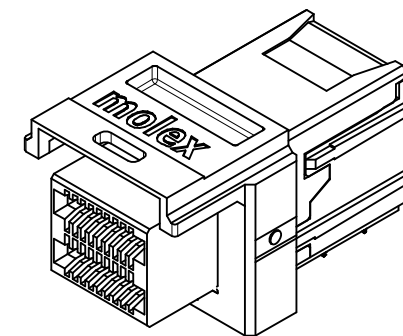
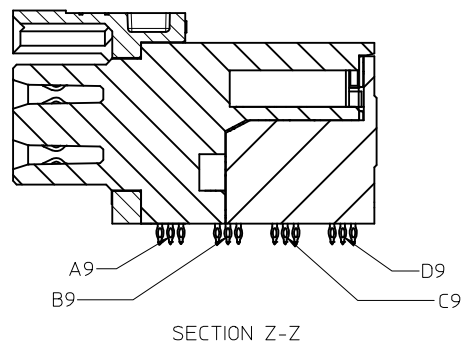
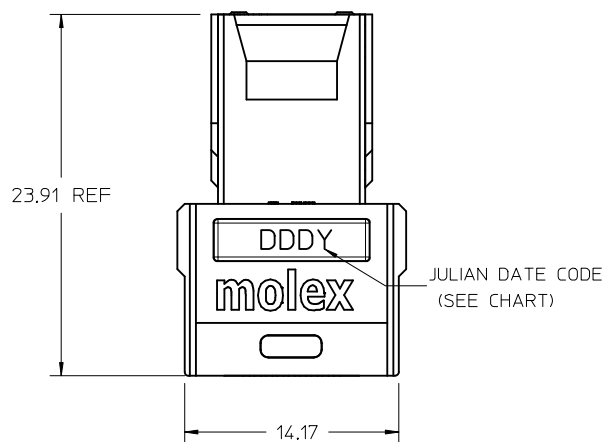
APPLICATION SPECIFICATION AS-76867-001

7. PLUG MODULE PCB LAYOUT REFER TO SD-76866-9900

CONGIFURATION	MATERIAL NO.
1 X 1	76867-1011
1 X 2	76867-1012
1 X 4	76867-1013

REVD CL DIMENSION IEC NO: UCP2017-1144 DRWN:TMCCLELL 2016/11/17 CHKD:TMCCLELLAND 2016/11/17 APPR:TMCCLELL 2016/11/17	QUALITY SYMBOLS ▽=0 ▽=0 ▽=0	GENERAL TOLERANCES (UNLESS SPECIFIED)		DIMENSION STYLE MM ONLY		SCALE 2:1	DESIGN UNITS METRIC	THIRD ANGLE PROJECTION																					
		<table border="1"> <thead> <tr> <th></th> <th>mm</th> <th>INCH</th> </tr> </thead> <tbody> <tr> <td>4 PLACES</td> <td>± ---</td> <td>± ---</td> </tr> <tr> <td>3 PLACES</td> <td>± ---</td> <td>± ---</td> </tr> <tr> <td>2 PLACES</td> <td>± 0.13</td> <td>± ---</td> </tr> <tr> <td>1 PLACE</td> <td>± 0.25</td> <td>± ---</td> </tr> <tr> <td>0 PLACE</td> <td>±</td> <td>±</td> </tr> </tbody> </table>			mm	INCH	4 PLACES	± ---	± ---	3 PLACES	± ---	± ---	2 PLACES	± 0.13	± ---	1 PLACE	± 0.25	± ---	0 PLACE	±	±	DRAWN BY DATE KLANG 2011/10/10		TITLE IPASS PLUS HD - 12G INTERNAL				SHEET NO. 1 OF 10	
			mm	INCH																									
		4 PLACES	± ---	± ---																									
3 PLACES	± ---	± ---																											
2 PLACES	± 0.13	± ---																											
1 PLACE	± 0.25	± ---																											
0 PLACE	±	±																											
ANGULAR ±1/2° DRAFT WHERE APPLICABLE MUST REMAIN WITHIN DIMENSIONS		CHECKED BY DATE TMCCLELLAND 2011/10/10		APPROVED BY DATE TMCCLELL 2012/08/29																									
MATERIAL NO. SEE CHART		DOCUMENT NO. SD-76867-1000		THIS DRAWING CONTAINS INFORMATION THAT IS PROPRIETARY TO MOLEX INCORPORATED AND SHOULD NOT BE USED WITHOUT WRITTEN PERMISSION																									

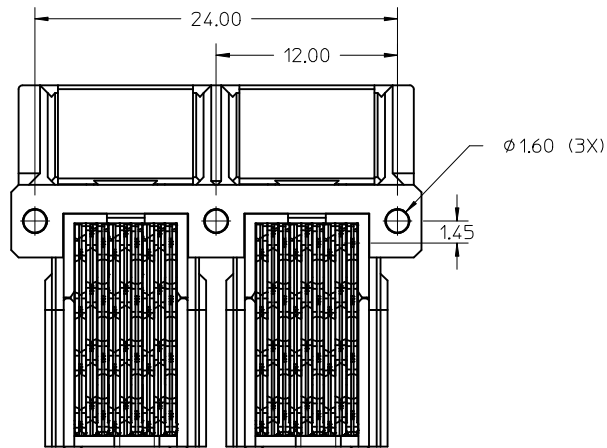
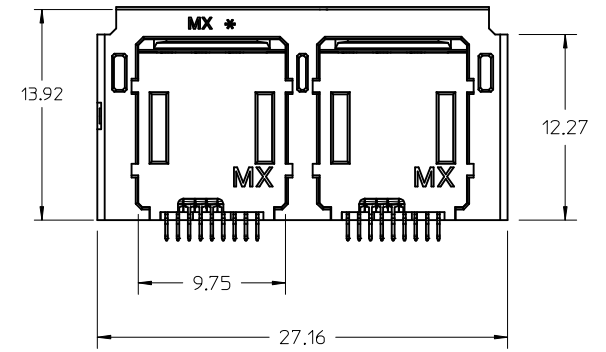
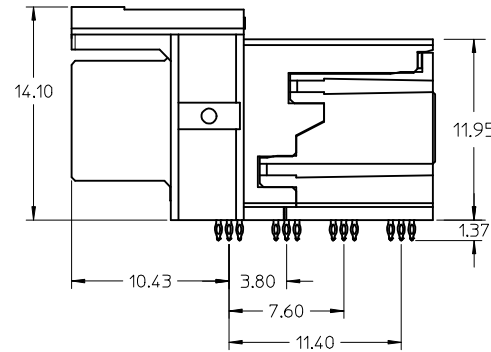
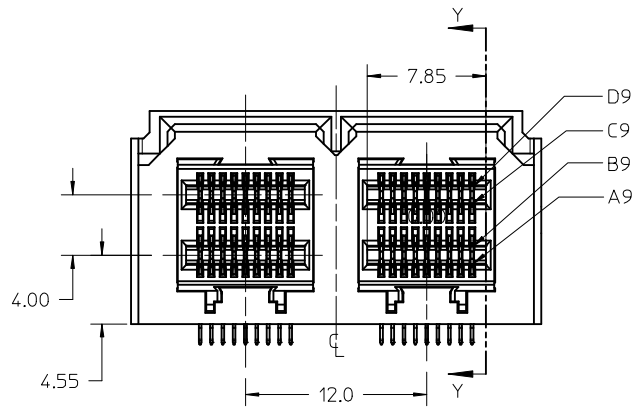
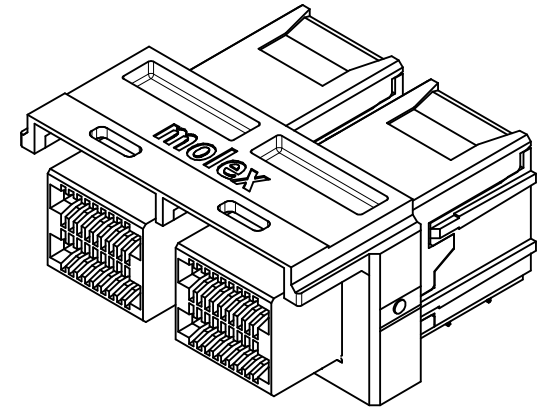
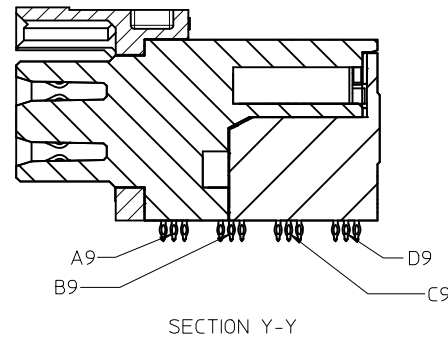
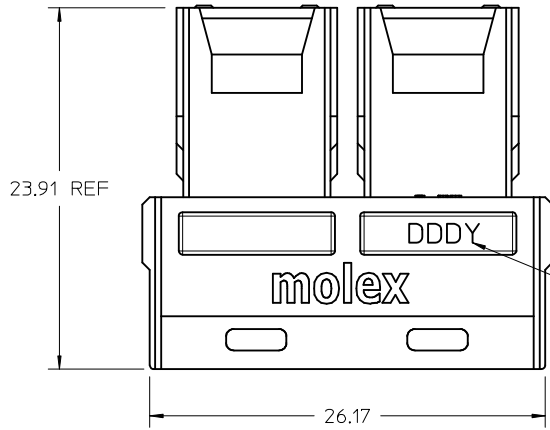
1X1 ASSEMBLY



MEXICO	DDD Y
CHINA	MSHDD Y
MANUFACTURING LOCATION	DATE CODE

SEE SHEET 1 EC NO: UCP2017-1144 DRWN:TMCCLELL 2016/11/17 CHKD:TMCCLELLAND 2016/11/17 APPR:TMCCLELL 2016/11/17	QUALITY SYMBOLS ∇=0 ∇=0 ∇=0	GENERAL TOLERANCES (UNLESS SPECIFIED)		DIMENSION STYLE MM ONLY		SCALE 4:1	DESIGN UNITS METRIC	THIRD ANGLE PROJECTION	
		4 PLACES ± --- ± ---	3 PLACES ± --- ± ---	DRAWN BY KLANG	DATE 2011/10/10	TITLE IPASS PLUS HD - 12G INTERNAL			
		2 PLACES ± 0.13 ± ---	1 PLACE ± 0.25 ± ---	CHECKED BY TMCCLELLAND	DATE 2011/10/10	APPROVED BY TMCCLELL			DATE 2012/08/29
		0 PLACE ± ±	MATERIAL NO. SEE CHART		DOCUMENT NO. SD-76867-1000				
DRAFT WHERE APPLICABLE MUST REMAIN WITHIN DIMENSIONS		ANGULAR ±1/2°		THIS DRAWING CONTAINS INFORMATION THAT IS PROPRIETARY TO MOLEX INCORPORATED AND SHOULD NOT BE USED WITHOUT WRITTEN PERMISSION					

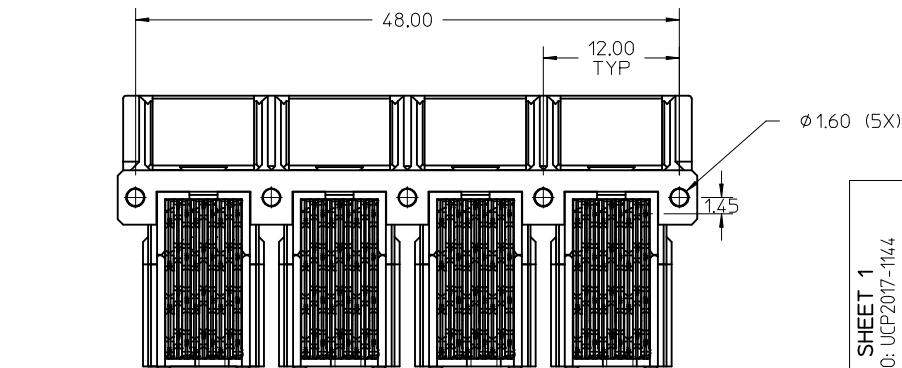
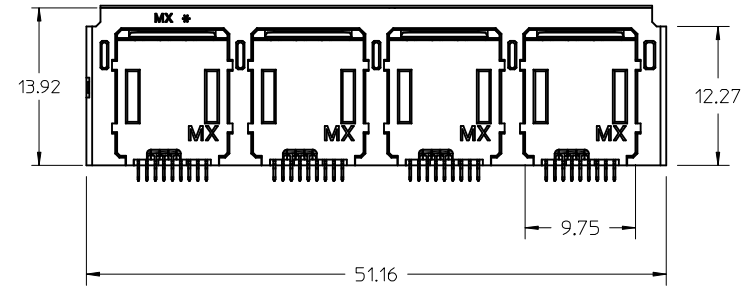
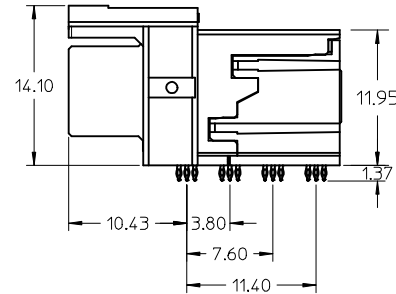
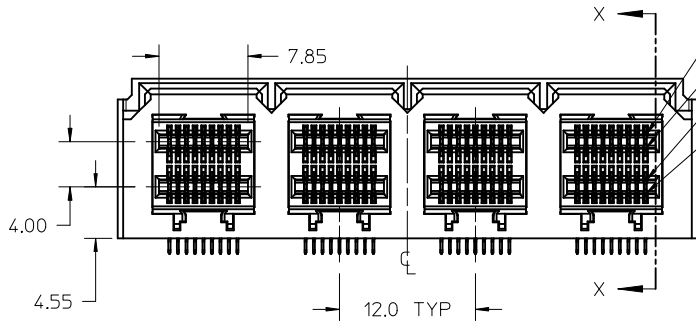
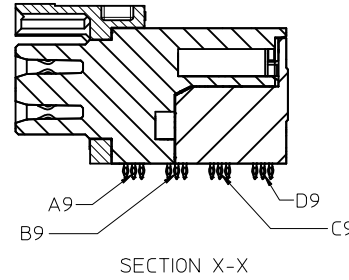
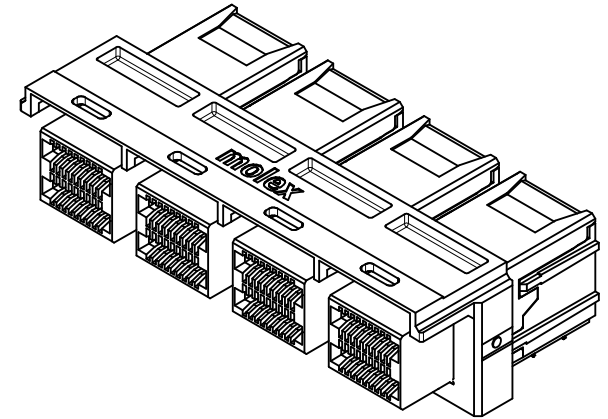
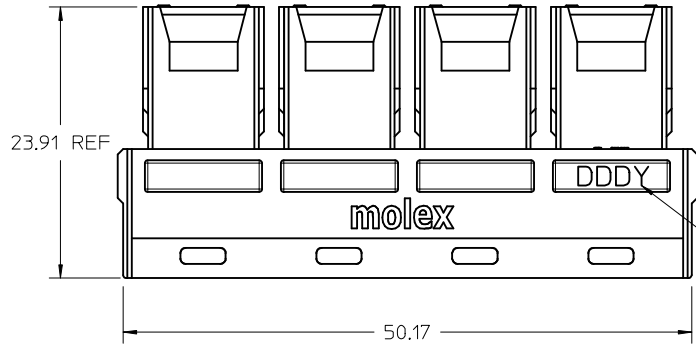
1X2 ASSEMBLY



MEXICO	DDDY
CHINA	MSHDDDY
MANUFACTURING LOCATION	DATE CODE
DESIGN UNITS METRIC	THIRD ANGLE PROJECTION

SEE SHEET 1 EC NO: UCP2017-1144 DRWN:TMCCLELL 2016/11/17 CHKD:TMCCLELLAND 2016/11/17 APPR:TMCCLELL 2016/11/17	QUALITY SYMBOLS ▽=0 ▽=0 ▽=0	GENERAL TOLERANCES (UNLESS SPECIFIED)		DIMENSION STYLE MM ONLY		SCALE 4:1	DESIGN UNITS METRIC	THIRD ANGLE PROJECTION		
				DRAWN BY KLANG	DATE 2011/10/10				IPASS PLUS HD - 12G INTERNAL	
				CHECKED BY TMCCLELLAND		DATE 2011/10/10				
				APPROVED BY TMCCLELL		DATE 2012/08/29				
REV B1	DESCRIPTION SEE CHART	ANGULAR ±1/2°		MATERIAL NO. SEE CHART		DOCUMENT NO. SD-76867-1000	SHEET NO. 3 OF 10			
DRAFT WHERE APPLICABLE MUST REMAIN WITHIN DIMENSIONS		THIS DRAWING CONTAINS INFORMATION THAT IS PROPRIETARY TO MOLEX INCORPORATED AND SHOULD NOT BE USED WITHOUT WRITTEN PERMISSION								

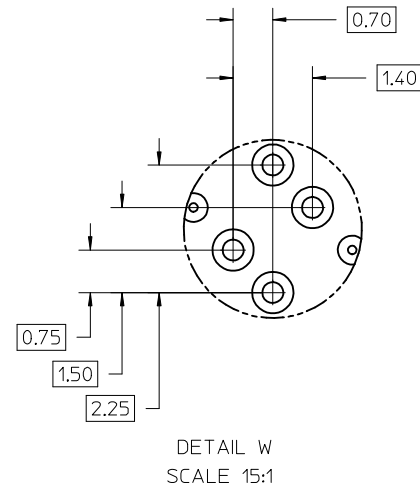
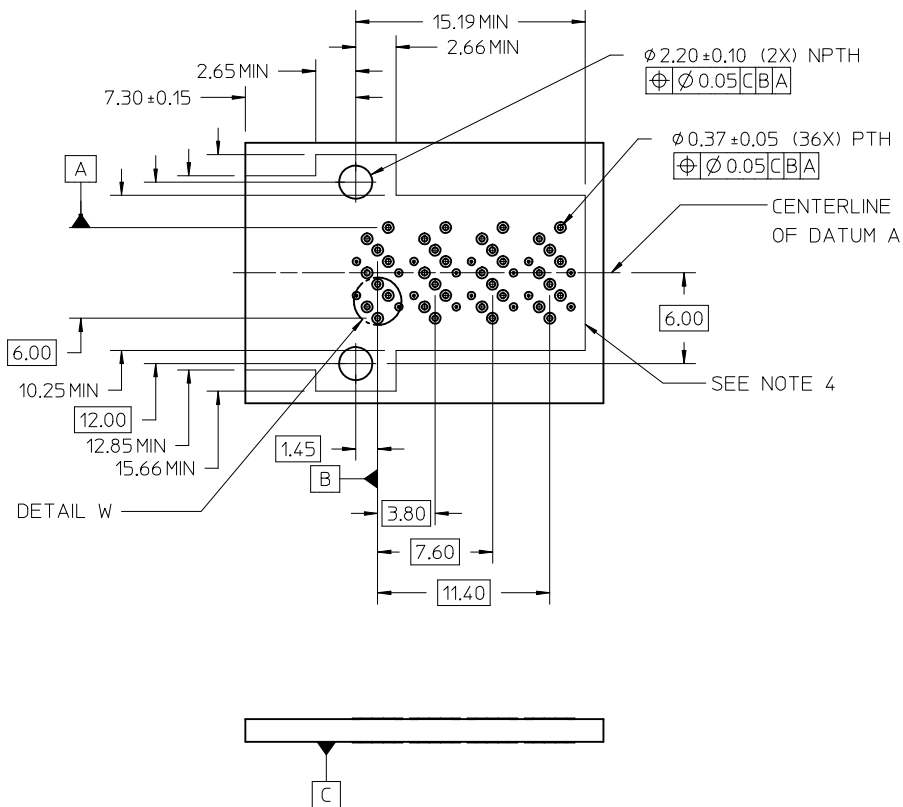
1X4 ASSEMBLY



MEXICO	DDDY
CHINA	MSHDDDY
MANUFACTURING LOCATION	DATE CODE

SEE SHEET 1 EC NO: UCP2017-1144 DRWN:TMCCLELL 2016/11/17 CHKD:TMCCLELLAND 2016/11/17 APPR:TMCCLELL 2016/11/17	QUALITY SYMBOLS ▽=0 ▽=0 ▽=0	GENERAL TOLERANCES (UNLESS SPECIFIED)		DIMENSION STYLE MM ONLY		SCALE 3:1	DESIGN UNITS METRIC	THIRD ANGLE PROJECTION
		4 PLACES ± --- ± ---	DRAWN BY KLANG	DATE 2011/10/10	TITLE IPASS PLUS HD - 12G INTERNAL			
		3 PLACES ± --- ± ---	CHECKED BY TMCCLELLAND	DATE 2011/10/10	MATERIAL NO. SEE CHART			
		2 PLACES ± 0.13 ± ---	APPROVED BY TMCCLELL	DATE 2012/08/29	DOCUMENT NO. SD-76867-1000	SHEET NO. 4 OF 10		
1 PLACE ± 0.25 ± ---	ANGULAR ±1/2°		DRAFT WHERE APPLICABLE MUST REMAIN WITHIN DIMENSIONS		THIS DRAWING CONTAINS INFORMATION THAT IS PROPRIETARY TO MOLEX INCORPORATED AND SHOULD NOT BE USED WITHOUT WRITTEN PERMISSION			
0 PLACE ± ±	SIZE C							

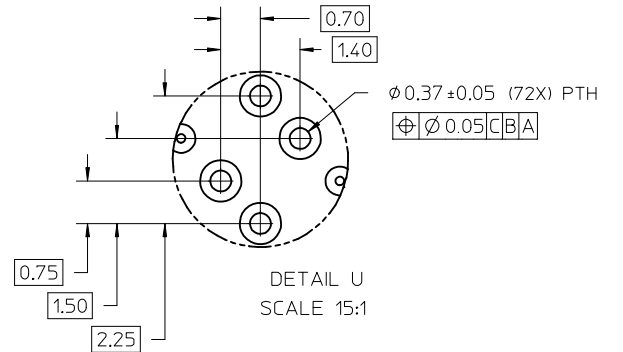
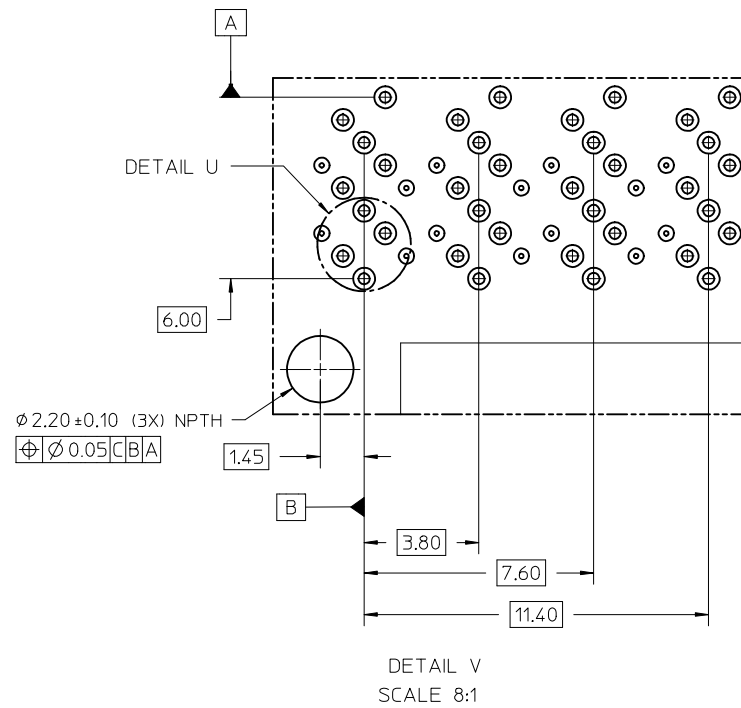
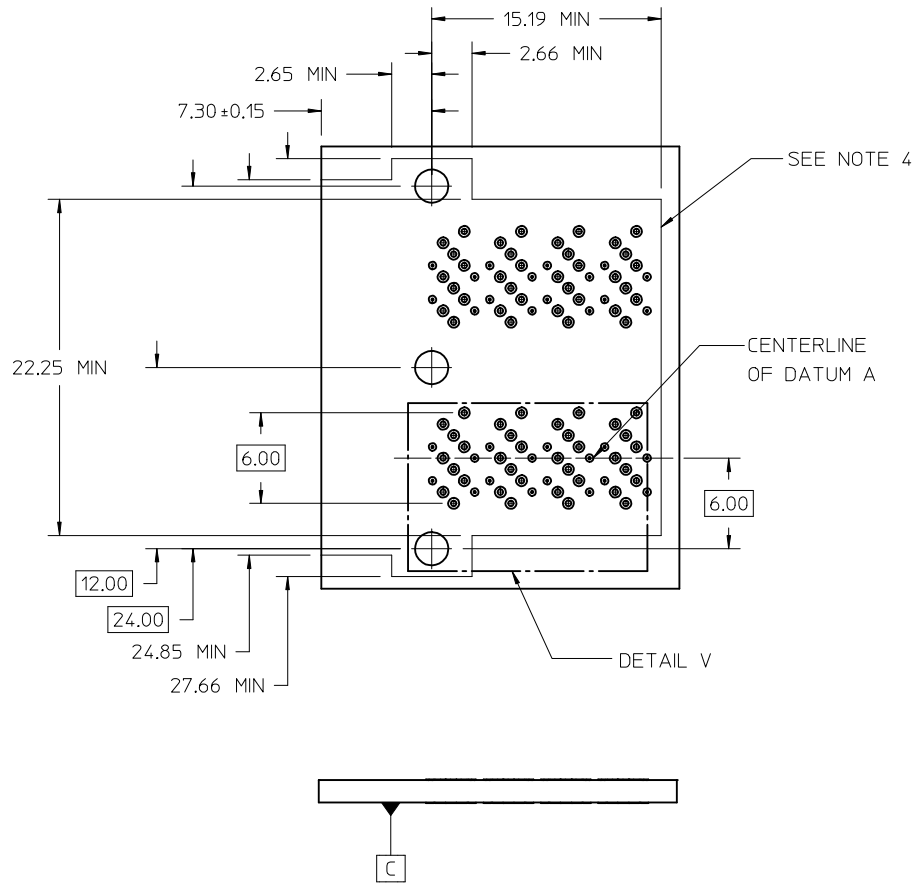
1X1 RECOMMENDED FOOTPRINT



- NOTES:
1. RECOMMENDED DRILL AND ANNULAR RING SIZE FOR A $0.37\varnothing$ FINISHED PTH - REFER TO APPLICATION SPECIFICATION AS-76867-0001
 2. MINIMUM RECOMMENDED SPACING: 16.00MM
 3. MINIMUM PCB THICKNESS: 1.57MM
 4. CONNECTOR KEEP OUT AREA

SEE SHEET 1 EC NO: UCP2017-1144 DRAWN: TMCCLELL 2016/11/17 CHKD: TMCCLELLAND 2016/11/17 APPR: TMCCLELL 2016/11/17	QUALITY SYMBOLS ▽=0 ▽=0 ▽=0	GENERAL TOLERANCES (UNLESS SPECIFIED)		DIMENSION STYLE MM ONLY		SCALE 4:1	DESIGN UNITS METRIC	THIRD ANGLE PROJECTION	
		4 PLACES ± --- ± ---	3 PLACES ± --- ± ---	2 PLACES ± 0.13 ± ---	1 PLACE ± 0.25 ± ---	0 PLACE ± ±	DRAWN BY KLANG		DATE 2011/10/10
REV B1	DESCRIPTION	ANGULAR ±1/2°		MATERIAL NO.		DOCUMENT NO.		SHEET NO.	
		DRAFT WHERE APPLICABLE MUST REMAIN WITHIN DIMENSIONS		SEE CHART		SD-76867-1000		5 OF 10	
THIS DRAWING CONTAINS INFORMATION THAT IS PROPRIETARY TO MOLEX INCORPORATED AND SHOULD NOT BE USED WITHOUT WRITTEN PERMISSION									

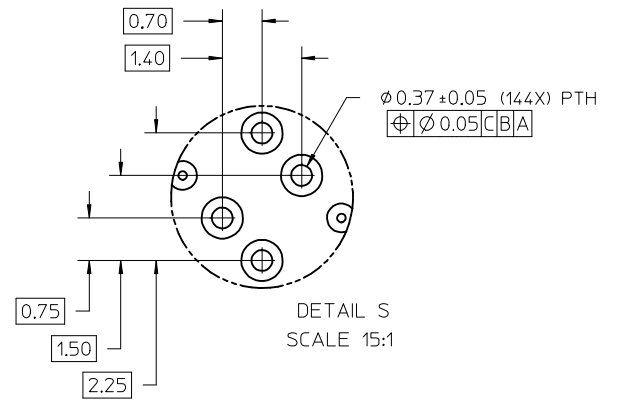
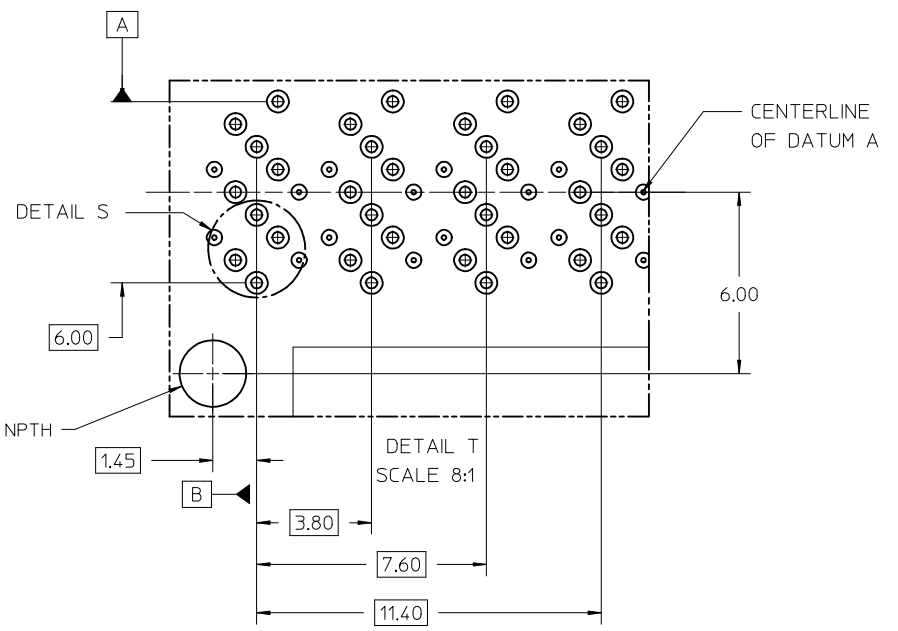
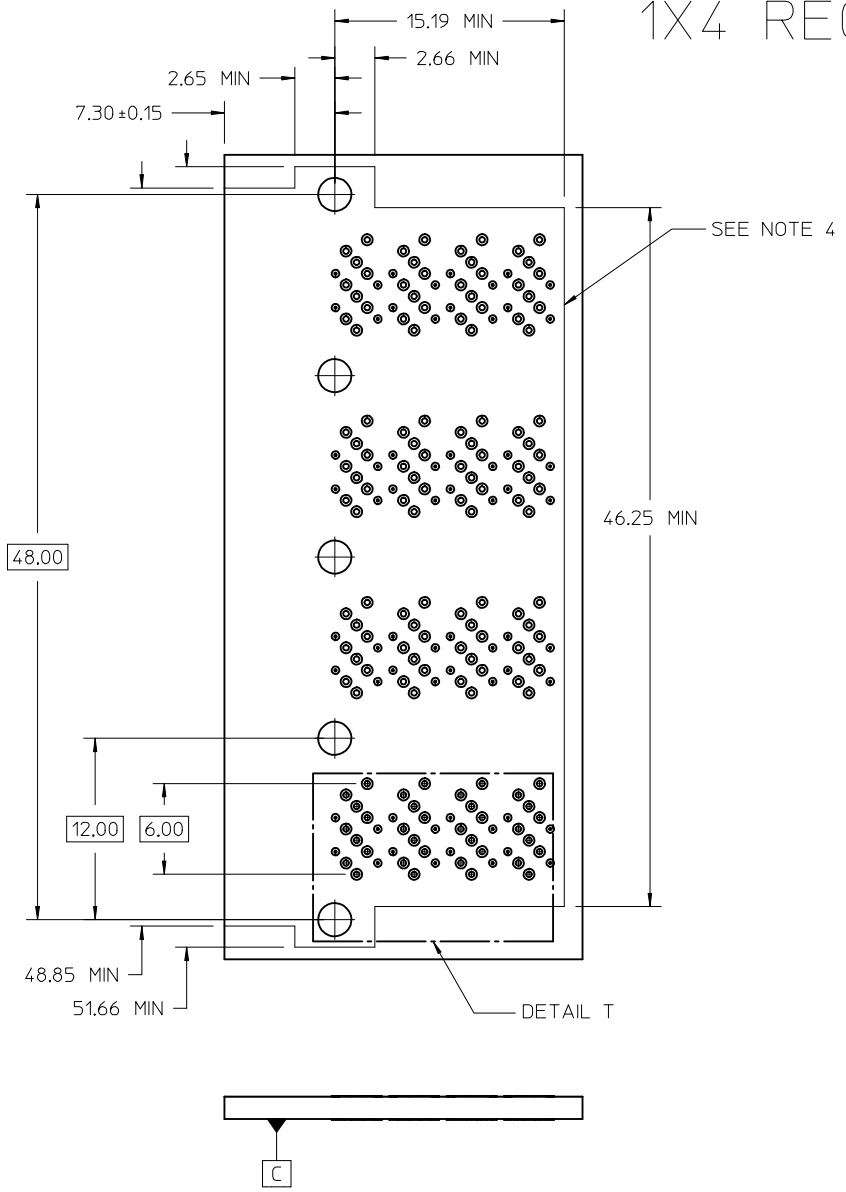
1X2 RECOMMENDED FOOTPRINT



- NOTES:
1. RECOMMENDED DRILL AND ANNULAR RING SIZE FOR A 0.37ϕ FINISHED PTH - REFER TO APPLICATION SPECIFICATION AS-76867-001
 2. MINIMUM RECOMMENDED SPACING: 28.00MM
 3. MINIMUM PCB THICKNESS: 1.57MM
 4. CONNECTOR KEEP OUT AREA

SEE SHEET 1 EC NO: UCP2017-1144 DRWN:TMCCLELL 2016/11/17 CHKD:TMCCLELLAND 2016/11/17 APPR:TMCCLELL 2016/11/17	QUALITY SYMBOLS ▽=0 ▽=0 ▽=0	GENERAL TOLERANCES (UNLESS SPECIFIED)		DIMENSION STYLE MM ONLY	SCALE 4:1	DESIGN UNITS METRIC	THIRD ANGLE PROJECTION	
		mm	INCH	DRAWN BY KLANG	DATE 2011/10/10	TITLE IPASS PLUS HD - 12G INTERNAL		
REV B1	DESCRIPTION	4 PLACES	± ---	± ---	CHECKED BY TMCCLELLAND	DATE 2011/10/10	DOCUMENT NO. SD-76867-1000	SHEET NO. 6 OF 10
		3 PLACES	± ---	± ---	APPROVED BY TMCCLELL	DATE 2012/08/29		
		2 PLACES	± 0.13	± ---	MATERIAL NO. SEE CHART			
		1 PLACE	± 0.25	± ---	THIS DRAWING CONTAINS INFORMATION THAT IS PROPRIETARY TO MOLEX. INCORPORATED AND SHOULD NOT BE USED WITHOUT WRITTEN PERMISSION			
		0 PLACE	±	±	SIZE C			
		ANGULAR ±1/2°		DRAFT WHERE APPLICABLE MUST REMAIN WITHIN DIMENSIONS				

1X4 RECOMMENDED FOOTPRINT



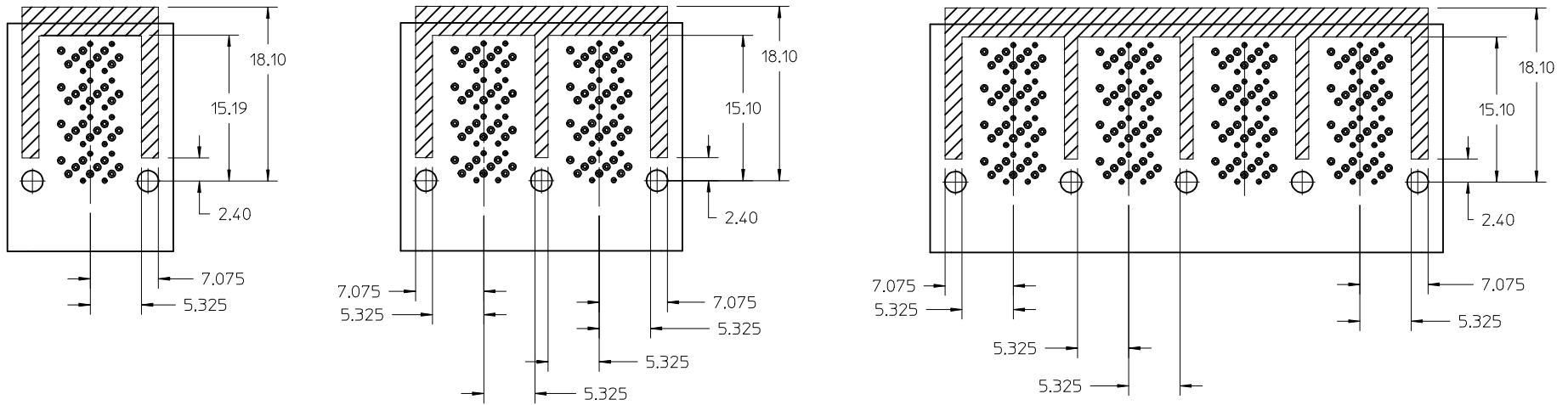
$\phi 2.20 \pm 0.10$ (5X) NPTH
 $\phi \phi 0.05$ CBA

$\phi 0.37 \pm 0.05$ (144X) PTH
 $\phi \phi 0.05$ CBA

- NOTES:
1. RECOMMENDED DRILL AND ANNULAR RING SIZE FOR A 0.37ϕ FINISHED PTH - REFER TO APPLICATION SPECIFICATION AS-76867-001
 2. MINIMUM RECOMMENDED SPACING: 52.00MM
 3. MINIMUM PCB THICKNESS: 1.57MM
 4. CONNECTOR KEEP OUT AREA

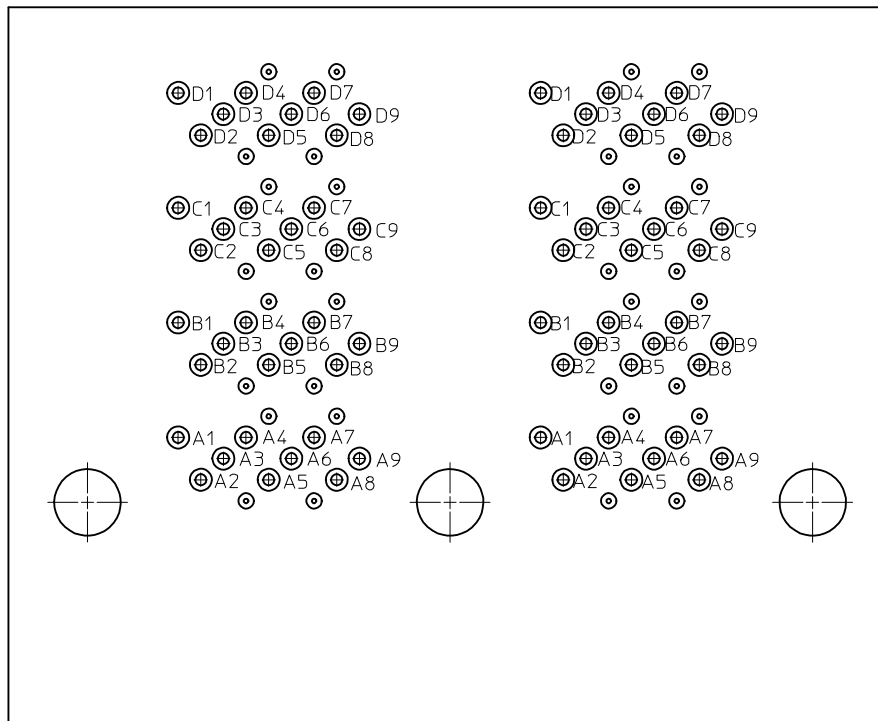
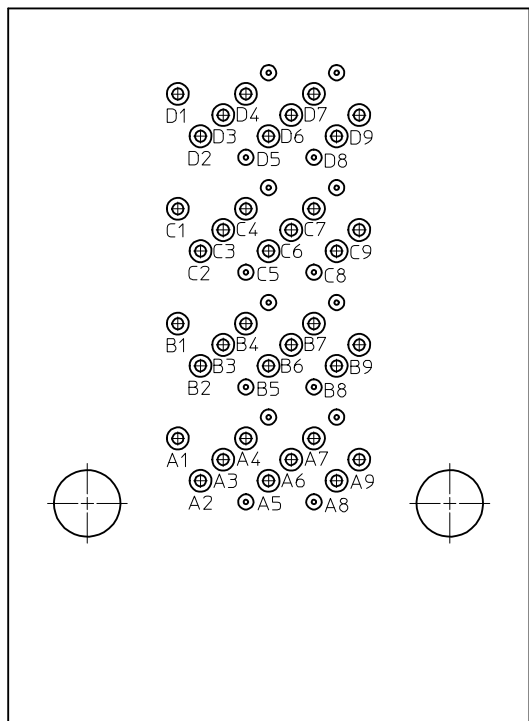
SEE SHEET 1 EC NO: UCP2017-1144 DRWN:TMCCLELL 2016/11/17 CHKD:TMCCLELLAND 2016/11/17 APPR:TMCCLELL 2016/11/17	DESCRIPTION	QUALITY SYMBOLS	GENERAL TOLERANCES (UNLESS SPECIFIED)		DIMENSION STYLE MM ONLY		SCALE 4:1	DESIGN UNITS METRIC	THIRD ANGLE PROJECTION	
		REV	$\nabla = 0$	mm	INCH	DRAWN BY	DATE	TITLE IPASS PLUS HD - 12G INTERNAL	DOCUMENT NO. SD-76867-1000	SHEET NO. 7 OF 10
			$\nabla = 0$	4 PLACES \pm ---	\pm ---	KLANG	2011/10/10			
			$\nabla = 0$	3 PLACES \pm ---	\pm ---	CHECKED BY	DATE			
$\nabla = 0$	2 PLACES ± 0.13		\pm ---	TMCCLELLAND	2011/10/10					
		1 PLACE ± 0.25	\pm ---	APPROVED BY	DATE	molex				
		0 PLACE \pm	\pm	TMCCLELL	2012/08/29	SEE CHART				
				ANGULAR $\pm 1/2^\circ$		MATERIAL NO.				
				DRAFT WHERE APPLICABLE MUST REMAIN WITHIN DIMENSIONS		SIZE C		THIS DRAWING CONTAINS INFORMATION THAT IS PROPRIETARY TO MOLEX INCORPORATED AND SHOULD NOT BE USED WITHOUT WRITTEN PERMISSION		

RECOMMENDED TOOLING KEEP OUT AREAS



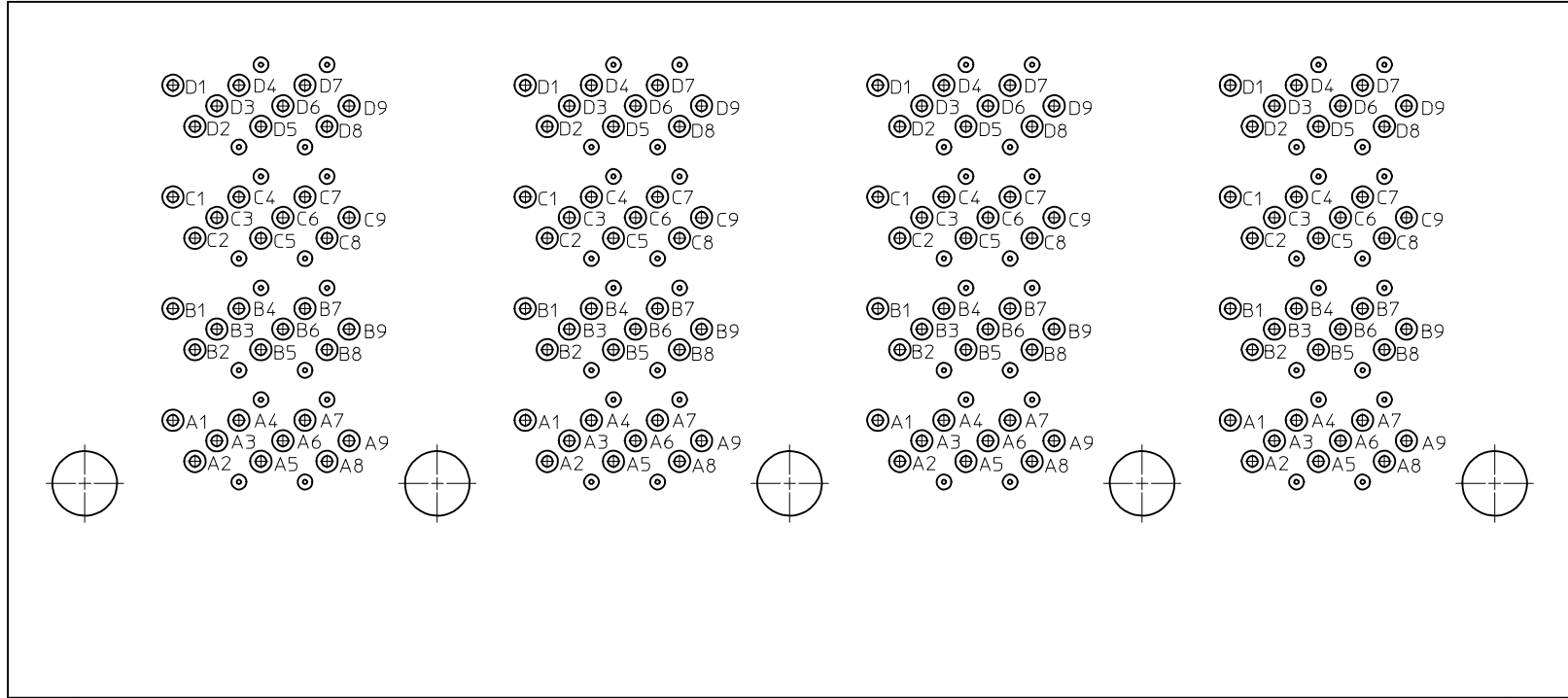
SEE SHEET 1 EC NO: UCP2017-1144 DRWN: TMCCLELL 2016/11/17 CHKD: TMCCLELL AND 2016/11/17 APPR: TMCCLELL 2016/11/17	QUALITY SYMBOLS	GENERAL TOLERANCES (UNLESS SPECIFIED)		DIMENSION STYLE MM ONLY		SCALE 3:1	DESIGN UNITS METRIC	THIRD ANGLE PROJECTION	
	▽=0	mm	INCH	DRAWN BY	DATE	TITLE IPASS PLUS HD - 12G INTERNAL			
	▽=0	4 PLACES ± ---	± ---	KLANG	2011/10/10				
	▽=0	3 PLACES ± ---	± ---	CHECKED BY	DATE	mox DOCUMENT NO. SD-76867-1000			
▽=0	2 PLACES ± 0.13	± ---	TMCCLELLAND	2011/10/10					
REV	DESCRIPTION	ANGULAR ±1/2°		APPROVED BY		DATE		SHEET NO.	
B1		DRAFT WHERE APPLICABLE MUST REMAIN WITHIN DIMENSIONS		TMCCLELL		2012/08/29		8 OF 10	
				MATERIAL NO.		DOCUMENT NO.		SHEET NO.	
				SEE CHART		SD-76867-1000		8 OF 10	
				THIS DRAWING CONTAINS INFORMATION THAT IS PROPRIETARY TO MOLEX INCORPORATED AND SHOULD NOT BE USED WITHOUT WRITTEN PERMISSION					

1X1 & 1X2 FOOTPRINT CIRCUIT IDENTIFICATION



SEE SHEET 1 EEC NO: UCP2017-1144 DRAWN: TMCCLELL 2016/11/17 CHKD: TMCCLELLAND 2016/11/17 APPR: TMCCLELL 2016/11/17	QUALITY SYMBOLS	GENERAL TOLERANCES (UNLESS SPECIFIED)		DIMENSION STYLE	SCALE	DESIGN UNITS	THIRD ANGLE PROJECTION	
	▽=0	mm	INCH	MM ONLY	8:1	METRIC		
	▽=0	4 PLACES ± ---	± ---	DRAWN BY DATE	TITLE			
	▽=0	3 PLACES ± ---	± ---	KLANG 2011/10/10	IPASS PLUS HD - 12G INTERNAL			
		2 PLACES ± 0.13	± ---	CHECKED BY DATE				
		1 PLACE ± 0.25	± ---	TMCCLELLAND 2011/10/10				
		0 PLACE ±	±	APPROVED BY DATE				
				TMCCLELL 2012/08/29				
				MATERIAL NO.	DOCUMENT NO.		SHEET NO.	
				SEE CHART	SD-76867-1000		9 OF 10	
				THIS DRAWING CONTAINS INFORMATION THAT IS PROPRIETARY TO MOLEX INCORPORATED AND SHOULD NOT BE USED WITHOUT WRITTEN PERMISSION				

1X4 FOOTPRINT CIRCUIT IDENTIFICATION



SEE SHEET 1 EC NO: UCP2017-1144 DRWN:TMCCLELL 2016/11/17 CHKD:TMCCLELLAND 2016/11/17 APPR:TMCCLELL 2016/11/17	QUALITY SYMBOLS ▽=0 ▽=0 ▽=0	GENERAL TOLERANCES (UNLESS SPECIFIED)		DIMENSION STYLE MM ONLY	SCALE 8:1	DESIGN UNITS METRIC	THIRD ANGLE PROJECTION	
		4 PLACES ± --- ± --- 3 PLACES ± --- ± --- 2 PLACES ± 0.13 ± --- 1 PLACE ± 0.25 ± --- 0 PLACE ± ±	mm INCH	DRAWN BY DATE KLANG 2011/10/10	TITLE IPASS PLUS HD - 12G INTERNAL			
		ANGULAR ±1/2°	DRAFT WHERE APPLICABLE MUST REMAIN WITHIN DIMENSIONS		CHECKED BY DATE TMCCLELLAND 2011/10/10	APPROVED BY DATE TMCCLELL 2012/08/29		
	REV B1		MATERIAL NO. SEE CHART		DOCUMENT NO. SD-76867-1000	SHEET NO. 10 OF 10		