



Chipsmall Limited consists of a professional team with an average of over 10 year of expertise in the distribution of electronic components. Based in Hongkong, we have already established firm and mutual-benefit business relationships with customers from,Europe,America and south Asia,supplying obsolete and hard-to-find components to meet their specific needs.

With the principle of "Quality Parts,Customers Priority,Honest Operation,and Considerate Service",our business mainly focus on the distribution of electronic components. Line cards we deal with include Microchip,ALPS,ROHM,Xilinx,Pulse,ON,Everlight and Freescale. Main products comprise IC,Modules,Potentiometer,IC Socket,Relay,Connector.Our parts cover such applications as commercial,industrial, and automotives areas.

We are looking forward to setting up business relationship with you and hope to provide you with the best service and solution. Let us make a better world for our industry!



Contact us

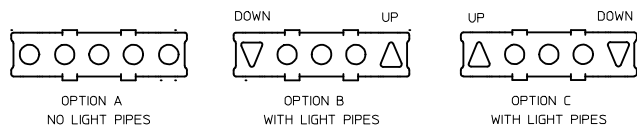
Tel: +86-755-8981 8866 Fax: +86-755-8427 6832

Email & Skype: info@chipsmall.com Web: www.chipsmall.com

Address: A1208, Overseas Decoration Building, #122 Zhenhua RD., Futian, Shenzhen, China



PART NUMBER	DESCRIPTION	LIGHT PIPE OPTIONS	GASKET
76870-0003	NO LIGHT PIPES	A = NONE	STANDARD
76870-0004	WITH LIGHT PIPES	B = DOWN / UP	STANDARD
76870-0005	WITH LIGHT PIPES	C = UP / DOWN	STANDARD
76870-0013	NO LIGHT PIPES	A = NONE	94V-0
76870-0014	WITH LIGHT PIPES	B = DOWN / UP	94V-0
76870-0015	WITH LIGHT PIPES	C = UP / DOWN	94V-0



NOTES:

1. MATERIAL:

CAGE: NICKEL SILVER, 0.25mm THICK
 EMI STRAPS: PHOS-BRONZE
 AIR-VENT/LIGHT PIPE HOUSINGS: DIECAST ALLOY
 LIGHT PIPES: POLYCARBONATE (OPTIONAL)
 CONNECTOR HOUSING: HIGH TEMPERATURE THERMOPLASTIC
 TERMINALS: COPPER ALLOY
 EMI GASKETS -CONDUCTIVE POLYMER HB/94V-0 SEE OPTIONS

2. FINISH:

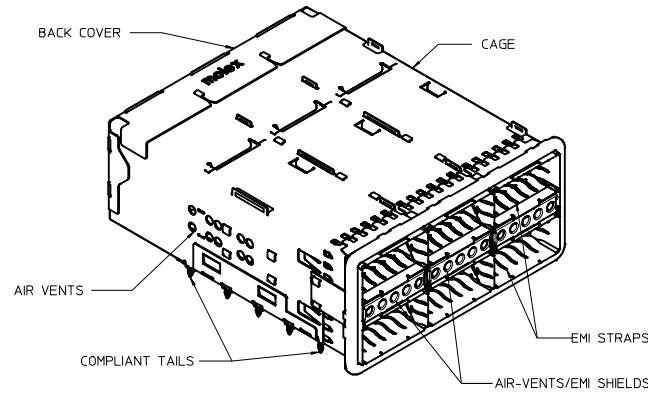
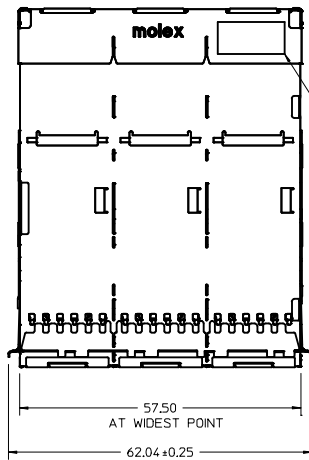
CAGE: UNPLATED
 EMI STRAPS: 2.5µm NICKEL OVERALL
 AIR-VENT/LIGHT PIPE HOUSINGS: NICKEL OVER COPPER
 TERMINALS: CONTACT AREA:
 0.76-1.52 µm MIN. GOLD OVER 2.5 µm MIN. NICKEL.
 COMPLIANT TAIL:
 0.7-1.5µm MIN. MATTE TIN OVER 1.3µm NICKEL.

3. PACKAGING: PRODUCT PACKAGED IN TRAYS AND CARTONS

4. ALL VISIBLE EXTERIOR SURFACES TO BE CLASS 'B' OR BETTER, EXCEPT FOR THE UNDERSIDE OF THE CAGE AND SHOULD CONFORM TO THE MOLEX COSMETIC STANDARD ES-171233-0001.

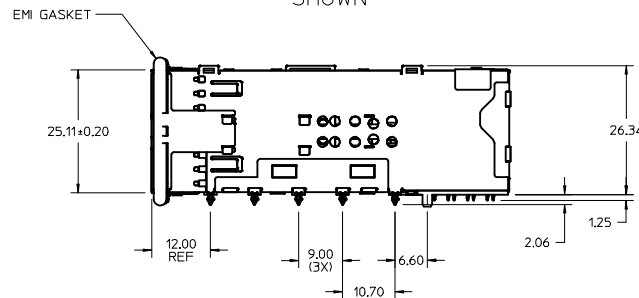
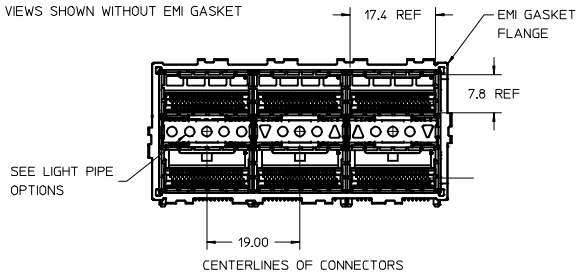
5. CONNECTOR MATES WITH PLUG CABLE SERIES 74757 AND 74758

6. DATE CODE LOCATION IS SHOWN.
 DATE CODE FORMAT: DDDY
 DDD= DAY OF THE YEAR
 Y= YEAR

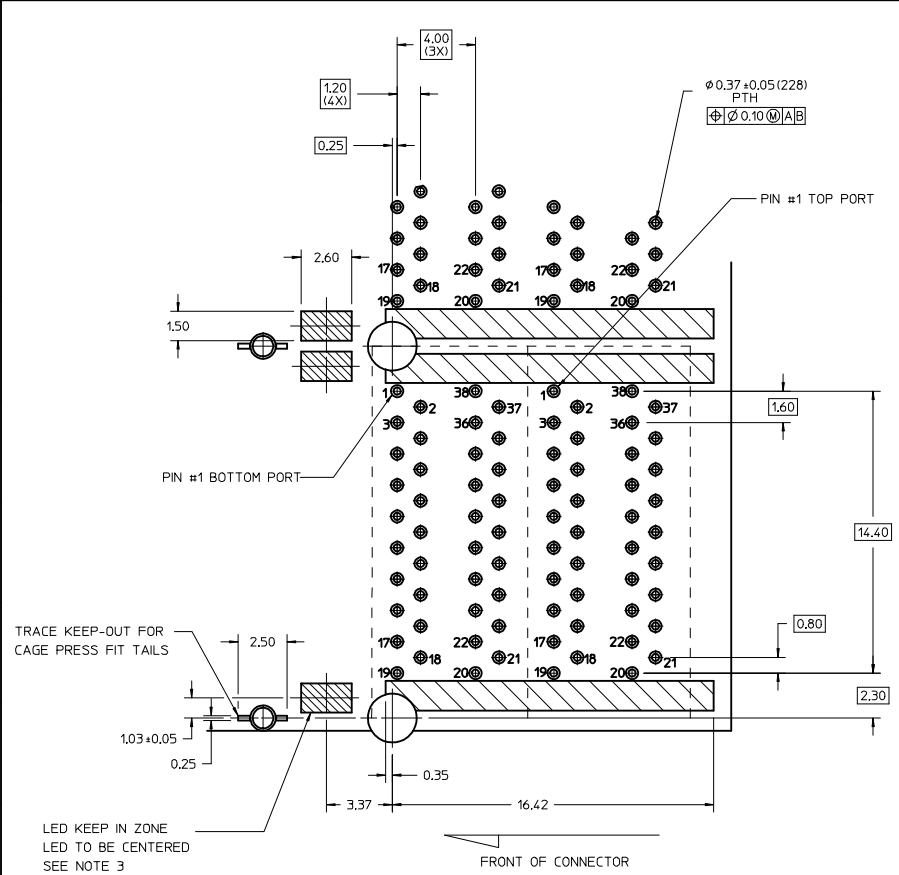


PART NUMBER
76870-0001-0003
SHOWN

VIEWS SHOWN WITHOUT EMI GASKET



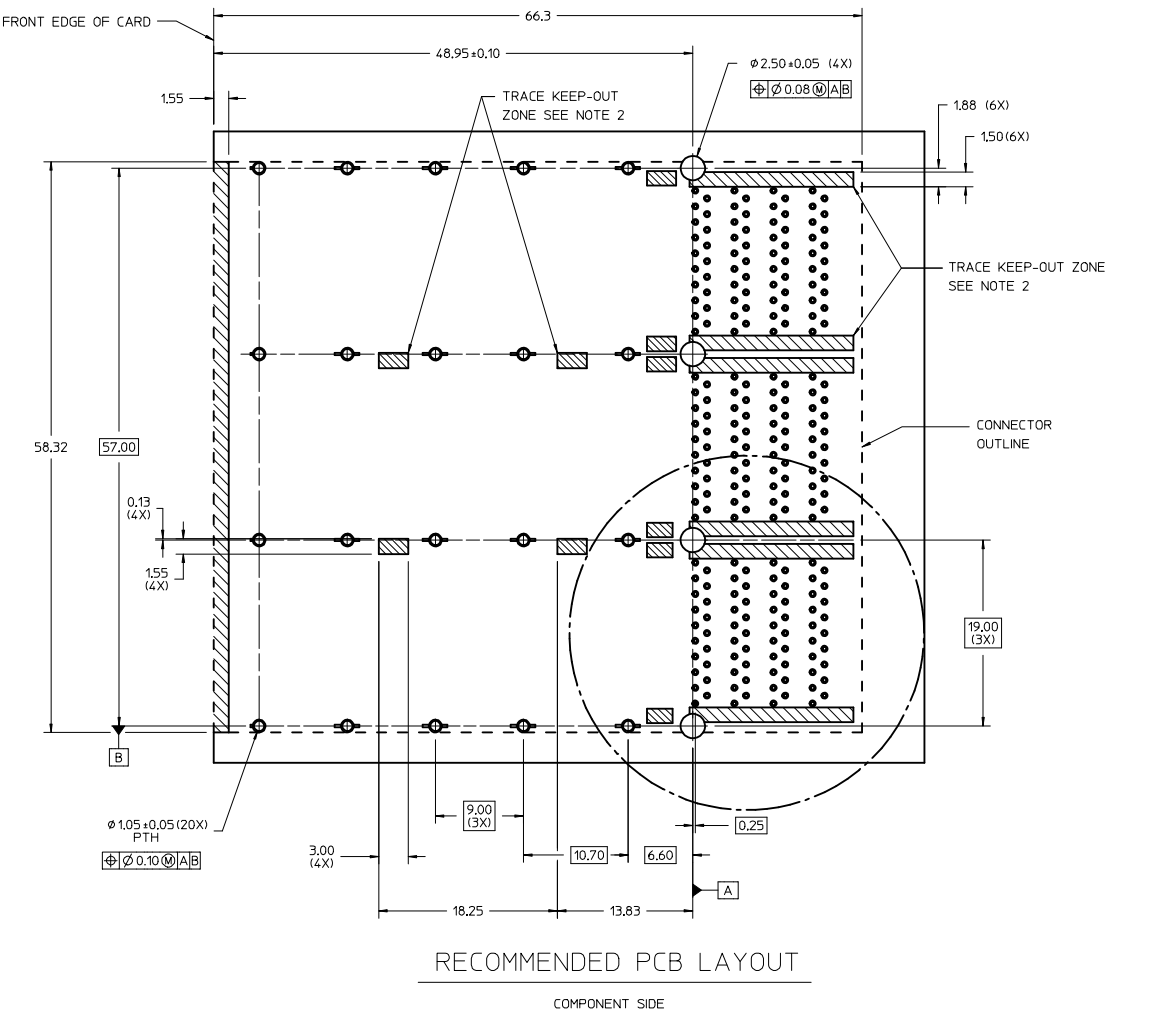
ADDED 94V-0 GASKET PMS IEC NO. UCF2014-5082 DRAWN BY: CHYD APPR: MBANKIS 2014/06/05	QUALITY SYMBOLS		GENERAL TOLERANCES (UNLESS SPECIFIED)		DIMENSION STYLE		SCALE		DESIGN UNITS		THIRD ANGLE PROJECTION																																						
	$\nabla=0$ $\nabla=0$		<table border="1"> <thead> <tr> <th></th> <th>mm</th> <th>INCH</th> </tr> </thead> <tbody> <tr> <td>4 PLACES</td> <td>±0.15</td> <td>±0.006</td> </tr> <tr> <td>3 PLACES</td> <td>±0.25</td> <td>±0.010</td> </tr> <tr> <td>2 PLACES</td> <td>±0.38</td> <td>±0.015</td> </tr> <tr> <td>1 PLACE</td> <td>±0.51</td> <td>±0.020</td> </tr> </tbody> </table>			mm	INCH	4 PLACES	±0.15	±0.006	3 PLACES	±0.25	±0.010	2 PLACES	±0.38	±0.015	1 PLACE	±0.51	±0.020	<table border="1"> <thead> <tr> <th>DRAWN BY</th> <th>DATE</th> </tr> </thead> <tbody> <tr> <td>SBOGIEL</td> <td>01/22/2009</td> </tr> <tr> <th>CHECKED BY</th> <th>DATE</th> </tr> <tr> <td>KREGNIER</td> <td>01/23/2009</td> </tr> <tr> <th>APPROVED BY</th> <th>DATE</th> </tr> <tr> <td>MBANKIS</td> <td>01/26/2009</td> </tr> </tbody> </table>		DRAWN BY	DATE	SBOGIEL	01/22/2009	CHECKED BY	DATE	KREGNIER	01/23/2009	APPROVED BY	DATE	MBANKIS	01/26/2009	<table border="1"> <thead> <tr> <th>TITLE</th> <th>MOLEX INCORPORATED</th> </tr> </thead> <tbody> <tr> <td colspan="2">ASSEMBLY, QSFP PLUS STACKED 2 X 3 WITH ELASTOMER GASKET</td> </tr> </tbody> </table>		TITLE	MOLEX INCORPORATED	ASSEMBLY, QSFP PLUS STACKED 2 X 3 WITH ELASTOMER GASKET		<table border="1"> <thead> <tr> <th>MATERIAL NO.</th> <th>DOCUMENT NO.</th> </tr> </thead> <tbody> <tr> <td>SEE CHART</td> <td>SD-76870-001</td> </tr> </tbody> </table>		MATERIAL NO.	DOCUMENT NO.	SEE CHART	SD-76870-001	<table border="1"> <thead> <tr> <th>SHEET NO.</th> </tr> </thead> <tbody> <tr> <td>1 OF 3</td> </tr> </tbody> </table>		SHEET NO.	1 OF 3
		mm	INCH																																														
	4 PLACES	±0.15	±0.006																																														
3 PLACES	±0.25	±0.010																																															
2 PLACES	±0.38	±0.015																																															
1 PLACE	±0.51	±0.020																																															
DRAWN BY	DATE																																																
SBOGIEL	01/22/2009																																																
CHECKED BY	DATE																																																
KREGNIER	01/23/2009																																																
APPROVED BY	DATE																																																
MBANKIS	01/26/2009																																																
TITLE	MOLEX INCORPORATED																																																
ASSEMBLY, QSFP PLUS STACKED 2 X 3 WITH ELASTOMER GASKET																																																	
MATERIAL NO.	DOCUMENT NO.																																																
SEE CHART	SD-76870-001																																																
SHEET NO.																																																	
1 OF 3																																																	
DRAFT WHERE APPLICABLE MUST REMAIN WITHIN DIMENSIONS												THIS DRAWING CONTAINS INFORMATION THAT IS PROPRIETARY TO MOLEX INCORPORATED AND SHOULD NOT BE USED WITHOUT WRITTEN PERMISSION																																					
SIZE D												SEE CHART																																					



DETAIL 1
PCB PORT LAYOUT
(COMPONENT SIDE)

NOTES:

1. DASHED LINES INDICATE THE CONNECTOR OUTLINE, THIS AREA IS A COMPONENT KEEP-OUT ZONE.
2. CROSS HATCHED AREAS DENOTE CRITICAL POINTS WHERE CAGE OR CONNECTOR HOUSINGS CAN CONTACT THE BOARD, THESE AREAS ARE TRACE KEEP-OUT ZONES.
3. LED KEEP-IN ZONE DEFINES THE PHYSICAL SPACE ALLOWED FOR PLACEMENT OF SMD CHIP STYLE LED PACKAGES, KEEP-IN ZONE EXTENDS VERTICALLY TO 0,8mm ABOVE THE TOP SIDE OF BOARD.

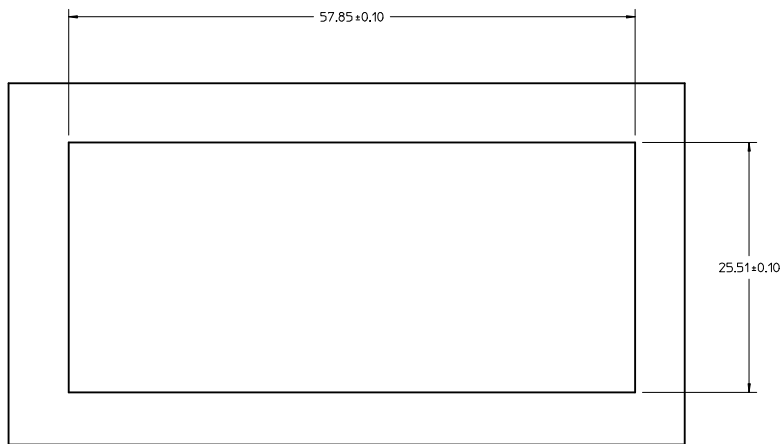


RECOMMENDED PCB LAYOUT
COMPONENT SIDE

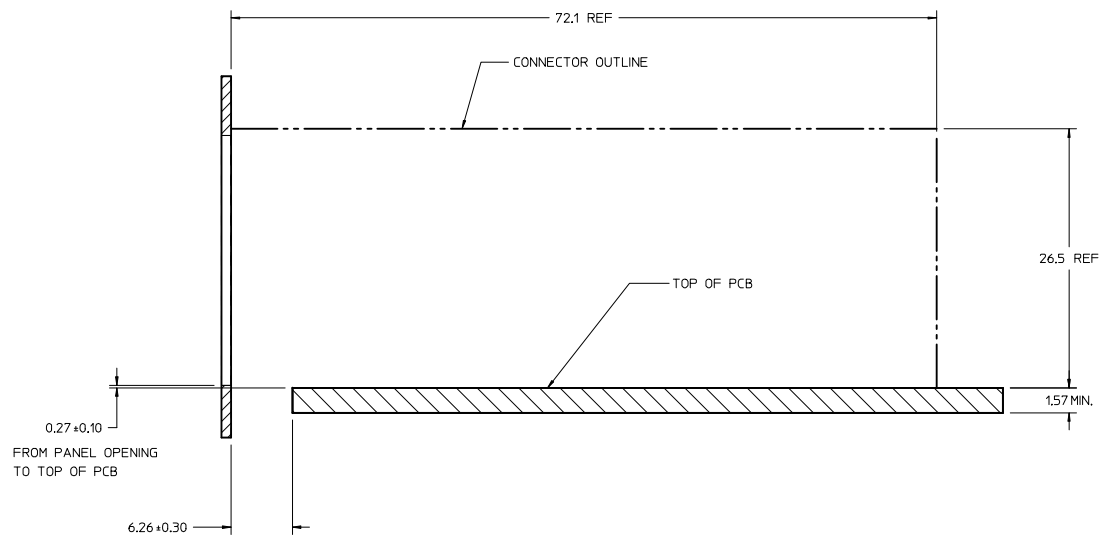
SEE SHEET 1 IEC NO: UCP2014-5082 DRAWN BY: CHYD APPROVED BY: MBANKAKIS	QUALITY SYMBOLS ∇=0 ∇=0 ∇=0	GENERAL TOLERANCES (UNLESS SPECIFIED)		DIMENSION STYLE MM ONLY	SCALE 2:1	DESIGN UNITS METRIC	THIRD ANGLE PROJECTION		
		4 PLACES ± --- ± --- 3 PLACES ± --- ± --- 2 PLACES ± 0.13 ± --- 1 PLACE ± 0.25 ± ---	mm INCH	DRAWN BY: SBOG IEL DATE: 01/22/2009	CHECKED BY: KREGNIER DATE: 01/23/2009	TITLE: ASSEMBLY, QSFP PLUS STACKED 2 X 3 WITH ELASTOMER GASKET			
		ANGULAR ± 1/2°	APPROVED BY: MBANKAKIS DATE: 01/26/2009	MATERIAL NO. SD-76870-001		MOLEX INCORPORATED		SHEET NO. 2 OF 3	

THIS DRAWING CONTAINS INFORMATION THAT IS PROPRIETARY TO MOLEX INCORPORATED AND SHOULD NOT BE USED WITHOUT WRITTEN PERMISSION

20 19 18 17 16 15 14 13 12 11 10 9 8 7 6 5 4 3 2 1



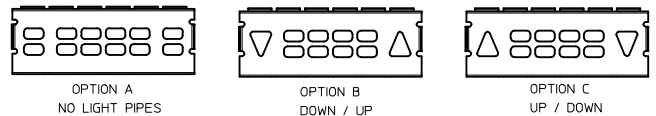
RECOMMENDED PANEL CUT-OUT



SEE SHEET 1 IEC NO: UCP2014-5082 DRAWN BY: CHYKD APPR: MBANKIS 2014/06/05	QUALITY SYMBOLS ▽=0 ▽=0	GENERAL TOLERANCES (UNLESS SPECIFIED) <table border="1"> <thead> <tr> <th></th> <th>mm</th> <th>INCH</th> </tr> </thead> <tbody> <tr> <td>4 PLACES</td> <td>± 0.13</td> <td>± 0.005</td> </tr> <tr> <td>3 PLACES</td> <td>± 0.25</td> <td>± 0.010</td> </tr> <tr> <td>2 PLACES</td> <td>± 0.50</td> <td>± 0.020</td> </tr> <tr> <td>1 PLACE</td> <td>± 1.27</td> <td>± 0.050</td> </tr> </tbody> </table>		mm	INCH	4 PLACES	± 0.13	± 0.005	3 PLACES	± 0.25	± 0.010	2 PLACES	± 0.50	± 0.020	1 PLACE	± 1.27	± 0.050	DIMENSION STYLE MM ONLY	SCALE 4:1	DESIGN UNITS METRIC	THIRD ANGLE PROJECTION
		mm	INCH																		
4 PLACES	± 0.13	± 0.005																			
3 PLACES	± 0.25	± 0.010																			
2 PLACES	± 0.50	± 0.020																			
1 PLACE	± 1.27	± 0.050																			
DRAWN BY: SBOGIEL CHECKED BY: KREGNIER APPROVED BY: MBANKIS DATE: 01/22/2009 DATE: 01/23/2009 DATE: 01/26/2009	TITLE ASSEMBLY, QSFP PLUS STACKED 2 X 3 WITH ELASTOMER GASKET	MATERIAL NO. SEE SHEET 1	DOCUMENT NO. SD-76870-001	SHEET NO. 3 OF 3																	

19 18 17 16 15 14 13 12 11 10 9 8 7 6 5 4 3 2 1

PART NUMBER	DESCRIPTION	LIGHT PIPE OPTIONS	PLATING
76870-2003	NO LIGHT PIPES	A = NONE	TIN
76870-2004	WITH LIGHT PIPES	B = DOWN / UP	TIN
76870-2005	WITH LIGHT PIPES	C = UP / DOWN	TIN



NOTES:

1. MATERIAL:

CAGE: NICKEL SILVER, 0.25mm THICK
 EMI STRAPS: PHOS-BRONZE
 AIR-VENT/LIGHT PIPE HOUSINGS: DIECAST ALLOY
 LIGHT PIPES: POLYCARBONATE (OPTIONAL)
 CONNECTOR HOUSING: HIGH TEMPERATURE THERMOPLASTIC
 TERMINALS: COPPER ALLOY

2. FINISH:

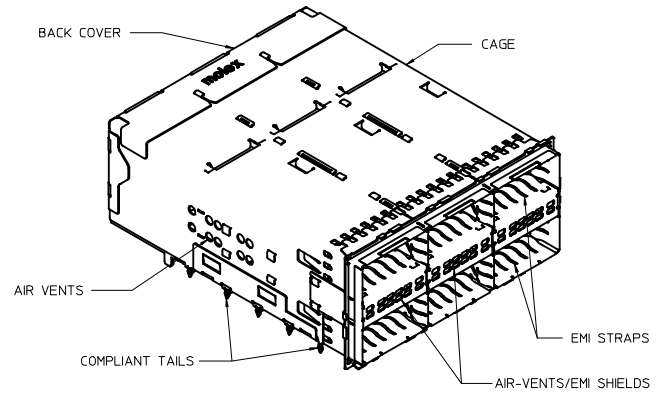
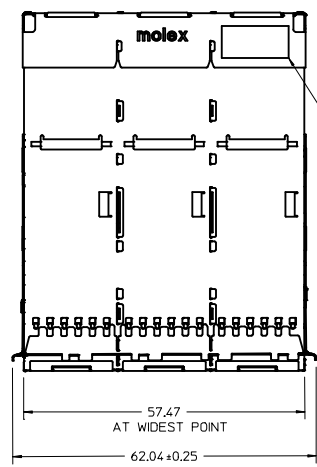
CAGE: UNPLATED
 EMI STRAPS: 2.5µm NICKEL OVERALL
 AIR-VENT/LIGHT PIPE HOUSINGS: NICKEL OVER COPPER
 TERMINALS: CONTACT AREA:
 0.76-1.52 µm MIN. GOLD OVER 2.5 µm MIN. NICKEL.
 COMPLIANT TAIL:
 TIN/LEAD: 0.7-1.5 µm TIN/LEAD (90/10) OVER 1.3 µm NICKEL.
 TIN: 0.7-1.5µm MIN. MATTE TIN OVER 1.3µm NICKEL.

3. PACKAGING: PRODUCT PACKAGED IN TRAYS AND CARTONS

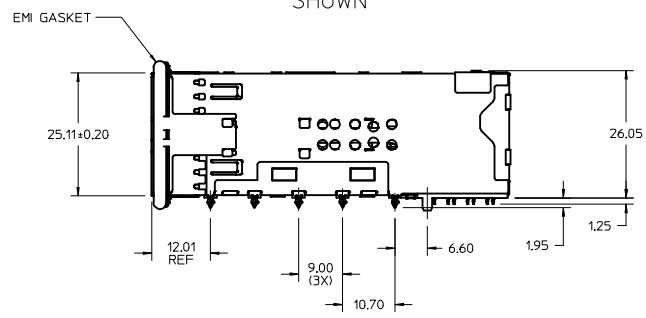
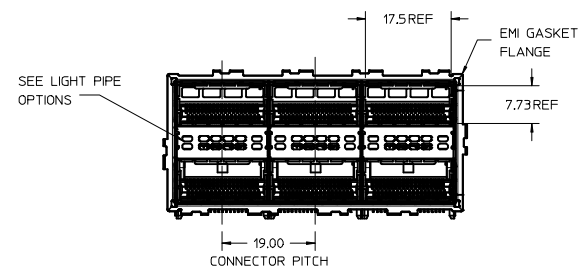
4. ALL VISIBLE EXTERIOR SURFACES TO BE CLASS 'B' OR BETTER, EXCEPT FOR THE UNDERSIDE OF THE CAGE AND SHOULD CONFORM TO THE MOLEX COSMETIC STANDARD PS-45499-002

5. CONNECTOR MATES WITH PLUG CABLE SERIES 74757 AND 74758

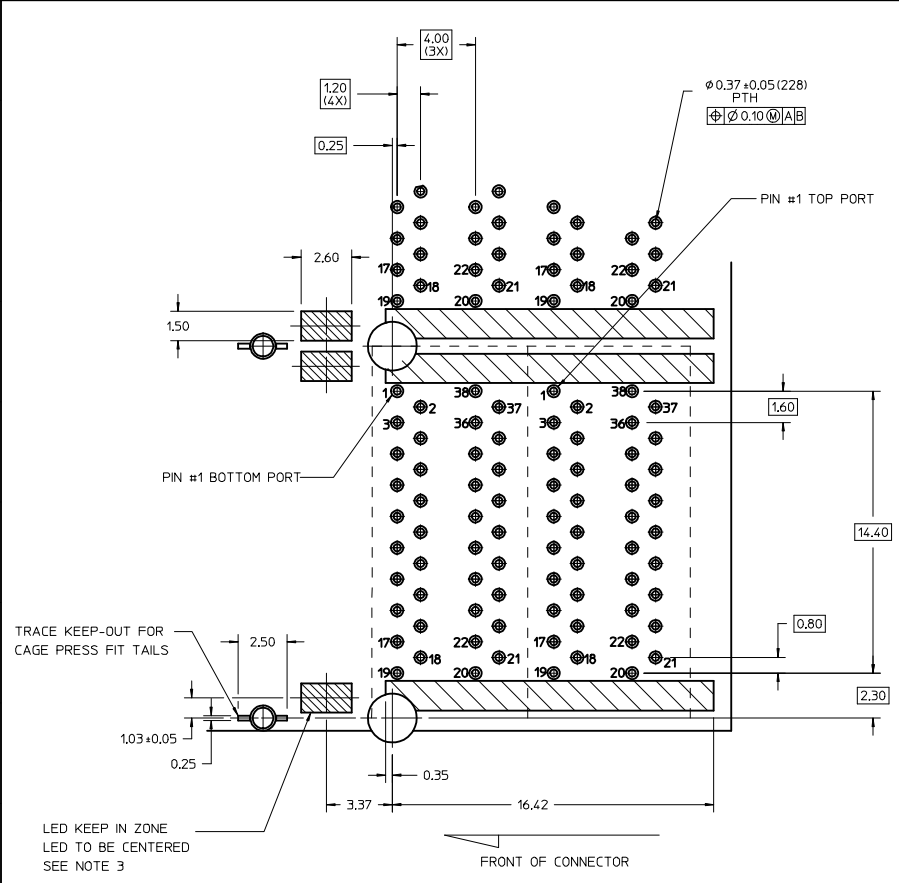
6. DATE CODE LOCATION IS SHOWN.
 DATE CODE FORMAT: DDDY
 DDD= DAY OF THE YEAR
 Y= YEAR



PART NUMBER
 76870-0001-0003
 SHOWN



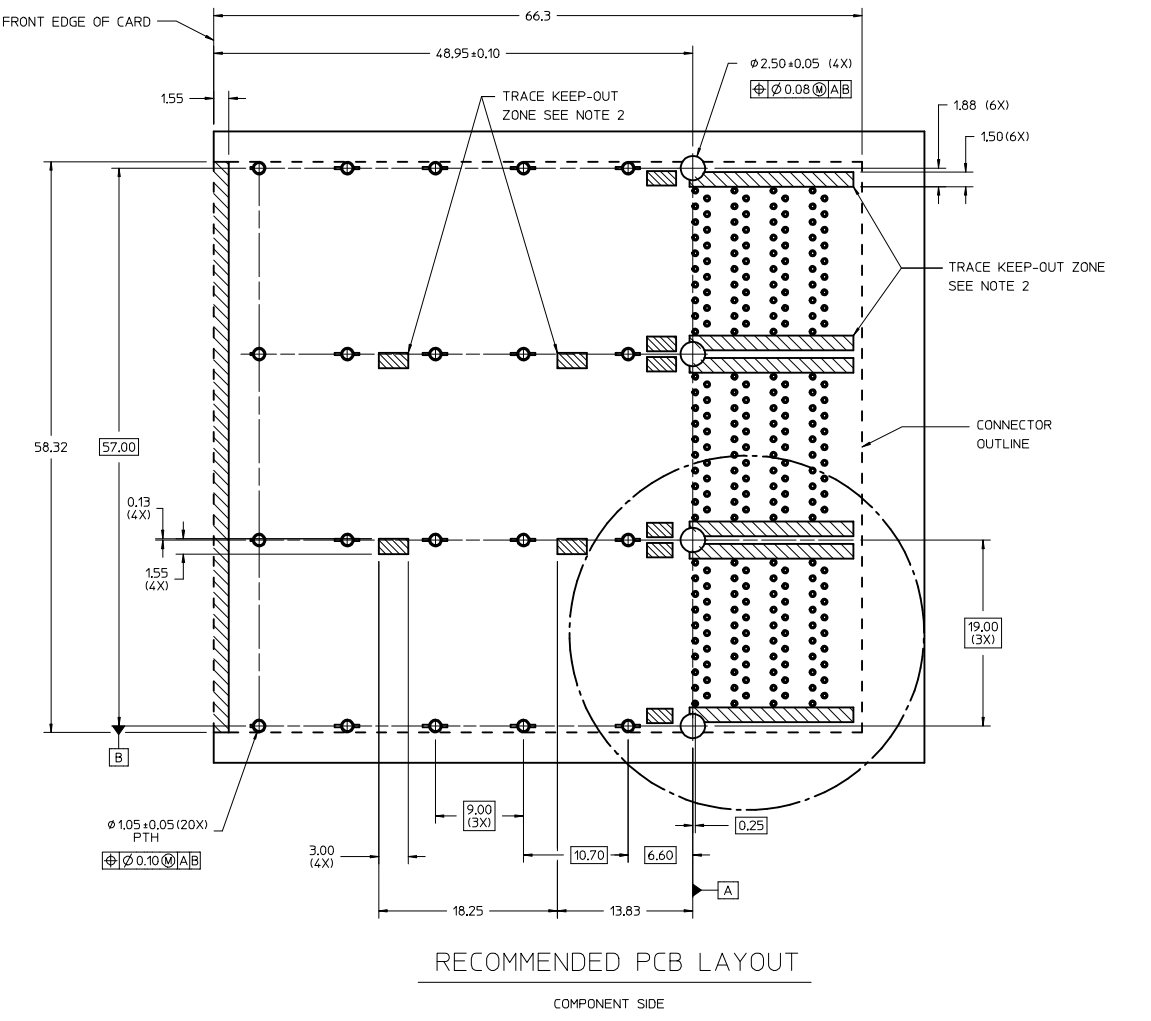
DEFINE LED KEEP-IN IEC NO. UCP2013-0233 DRAWN BY CHYD APPR: MBANKI S 2012/07/31	QUALITY SYMBOLS	GENERAL TOLERANCES (UNLESS SPECIFIED)	DIMENSION STYLE	SCALE	DESIGN UNITS	THIRD ANGLE PROJECTION															
	$\nabla=0$ $\nabla=0$	<table border="1"> <thead> <tr> <th></th> <th>mm</th> <th>INCH</th> </tr> </thead> <tbody> <tr> <td>4 PLACES</td> <td>±---</td> <td>±---</td> </tr> <tr> <td>3 PLACES</td> <td>±---</td> <td>±---</td> </tr> <tr> <td>2 PLACES</td> <td>±0.13</td> <td>±---</td> </tr> <tr> <td>1 PLACE</td> <td>±0.25</td> <td>±---</td> </tr> </tbody> </table>		mm	INCH	4 PLACES	±---	±---	3 PLACES	±---	±---	2 PLACES	±0.13	±---	1 PLACE	±0.25	±---	MM ONLY	2:1	METRIC	
		mm	INCH																		
	4 PLACES	±---	±---																		
3 PLACES	±---	±---																			
2 PLACES	±0.13	±---																			
1 PLACE	±0.25	±---																			
<table border="1"> <tr> <td>DRAWN BY</td> <td>DATE</td> <td>TITLE</td> </tr> <tr> <td>HAVERY</td> <td>2012/06/08</td> <td>ASSEMBLY, QSFP PLUS STACKED 2 X 3 ENHANCED EMI PERFORMANCE</td> </tr> <tr> <td>CHECKED BY</td> <td>DATE</td> <td></td> </tr> <tr> <td></td> <td></td> <td></td> </tr> </table>	DRAWN BY	DATE	TITLE	HAVERY	2012/06/08	ASSEMBLY, QSFP PLUS STACKED 2 X 3 ENHANCED EMI PERFORMANCE	CHECKED BY	DATE					<table border="1"> <tr> <td>APPROVED BY</td> <td>DATE</td> <td></td> </tr> <tr> <td>MBANKI S</td> <td>2012/07/31</td> <td></td> </tr> </table>	APPROVED BY	DATE		MBANKI S	2012/07/31		MOLEX INCORPORATED	SHEET NO. 1 OF 3
DRAWN BY	DATE	TITLE																			
HAVERY	2012/06/08	ASSEMBLY, QSFP PLUS STACKED 2 X 3 ENHANCED EMI PERFORMANCE																			
CHECKED BY	DATE																				
APPROVED BY	DATE																				
MBANKI S	2012/07/31																				
DRAFT WHERE APPLICABLE MUST REMAIN WITHIN DIMENSIONS	MATERIAL NO. SEE CHART	DOCUMENT NO. SD-76870-2000	THIS DRAWING CONTAINS INFORMATION THAT IS PROPRIETARY TO MOLEX INCORPORATED AND SHOULD NOT BE USED WITHOUT WRITTEN PERMISSION																		



DETAIL 1
PCB PORT LAYOUT
(COMPONENT SIDE)

NOTES:

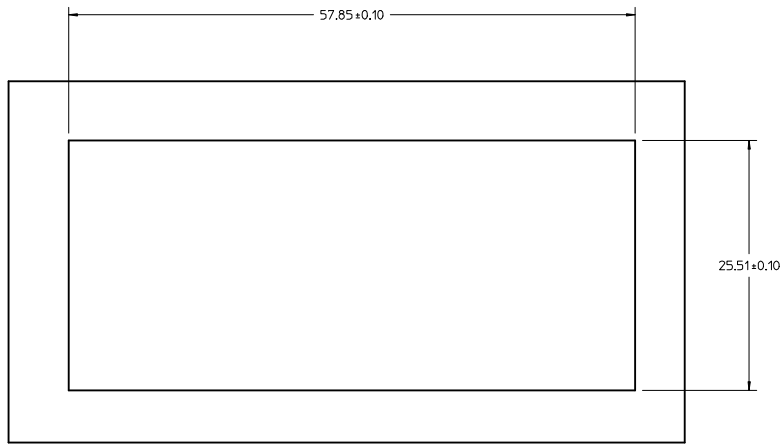
1. DASHED LINES INDICATE THE CONNECTOR OUTLINE, THIS AREA IS A COMPONENT KEEP-OUT ZONE.
2. CROSS HATCHED AREAS DENOTE CRITICAL POINTS WHERE CAGE OR CONNECTOR HOUSINGS CAN CONTACT THE BOARD, THESE AREAS ARE TRACE KEEP-OUT ZONES.
3. LED KEEP-IN ZONE DEFINES THE PHYSICAL SPACE ALLOWED FOR PLACEMENT OF SMD CHIP STYLE LED PACKAGES, KEEP-IN ZONE EXTENDS VERTICALLY TO 0,8mm ABOVE THE TOP SIDE OF BOARD.



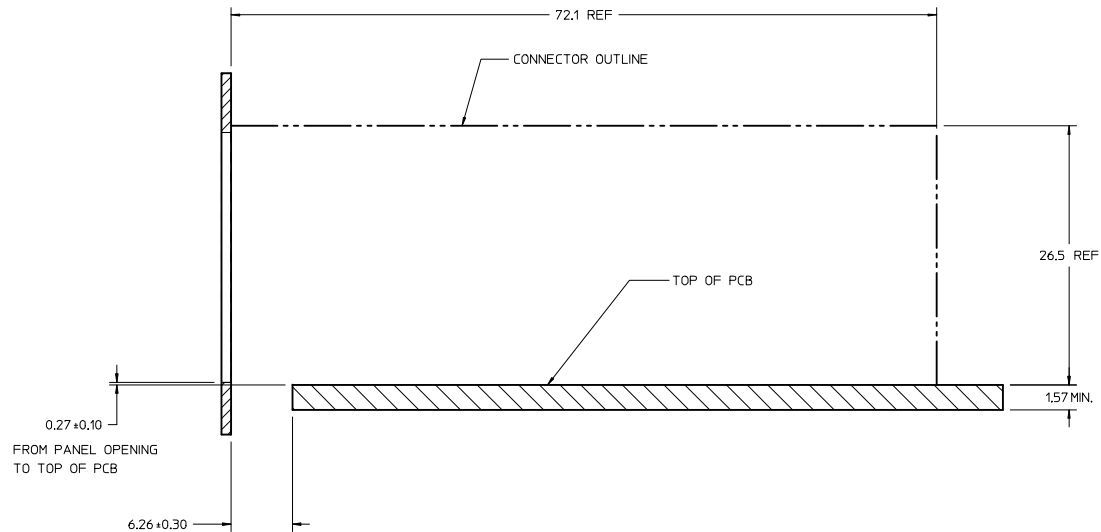
RECOMMENDED PCB LAYOUT
COMPONENT SIDE

SEE SHEET 1 IEC NO: UCP2013-0233 DRAWN BY: HAVERY CHYD: 2012/06/08 APPROVED BY: MBANAKIS APPR: MBANAKIS DATE: 2012/07/31	QUALITY SYMBOLS ∇=0 ∇=0 ∇=0	GENERAL TOLERANCES (UNLESS SPECIFIED) mm INCH 4 PLACES ± --- ± --- 3 PLACES ± --- ± --- 2 PLACES ± 0.13 ± --- 1 PLACE ± 0.25 ± --- ANGULAR ± 1/2°	DIMENSION STYLE MM ONLY SCALE 2:1 DESIGN UNITS METRIC THIRD ANGLE PROJECTION	DRAWN BY: HAVERY DATE: 2012/06/08 CHECKED BY: DATE:	TITLE: ASSEMBLY, QSFP PLUS STACKED 2 X 3 ENHANCED EMI PERFORMANCE MOLEX INCORPORATED
	DRAFT WHERE APPLICABLE MUST REMAIN WITHIN DIMENSIONS	APPROVED BY: MBANAKIS DATE: 2012/07/31	MATERIAL NO: SEE SHEET 1 DOCUMENT NO: SD-76870-2000	SHEET NO: 2 OF 3	
	THIS DRAWING CONTAINS INFORMATION THAT IS PROPRIETARY TO MOLEX INCORPORATED AND SHOULD NOT BE USED WITHOUT WRITTEN PERMISSION				
	SIZE D				

20 19 18 17 16 15 14 13 12 11 10 9 8 7 6 5 4 3 2 1



RECOMMENDED PANEL CUT-OUT



SEE SHEET 1 IEC NO: UCP2013-0233 DRAWN BY: HAVERY 2012/06/08 CHYK: APPR: MBANKI S 2012/07/31	QUALITY SYMBOLS	GENERAL TOLERANCES (UNLESS SPECIFIED)	DIMENSION STYLE	SCALE	DESIGN UNITS	THIRD ANGLE PROJECTION															
	$\nabla=0$ $\nabla=0$	<table border="1"> <thead> <tr> <th></th> <th>mm</th> <th>INCH</th> </tr> </thead> <tbody> <tr> <td>4 PLACES</td> <td>± ---</td> <td>± ---</td> </tr> <tr> <td>3 PLACES</td> <td>± ---</td> <td>± ---</td> </tr> <tr> <td>2 PLACES</td> <td>± 0.13</td> <td>± ---</td> </tr> <tr> <td>1 PLACE</td> <td>± 0.25</td> <td>± ---</td> </tr> </tbody> </table> ANGULAR ±1/2°		mm	INCH	4 PLACES	± ---	± ---	3 PLACES	± ---	± ---	2 PLACES	± 0.13	± ---	1 PLACE	± 0.25	± ---	MM ONLY DRAWN BY: HAVERY DATE: 2012/06/08 CHECKED BY: DATE:	4:1	METRIC	
		mm	INCH																		
	4 PLACES	± ---	± ---																		
3 PLACES	± ---	± ---																			
2 PLACES	± 0.13	± ---																			
1 PLACE	± 0.25	± ---																			
APPROVED BY: MBANKI S DATE: 2012/07/31 MATERIAL NO:	DRAFT WHERE APPLICABLE MUST REMAIN WITHIN DIMENSIONS	TITLE: ASSEMBLY, QSFP PLUS STACKED 2 X 3 ENHANCED EMI PERFORMANCE MOLEX INCORPORATED		SHEET NO. 3 OF 3																	
SEE SHEET 1 SIZE D	THIS DRAWING CONTAINS INFORMATION THAT IS PROPRIETARY TO MOLEX INCORPORATED AND SHOULD NOT BE USED WITHOUT WRITTEN PERMISSION	DOCUMENT NO: SD-76870-2000																			

19 18 17 16 15 14 13 12 11 10 9 8 7 6 5 4 3 2 1